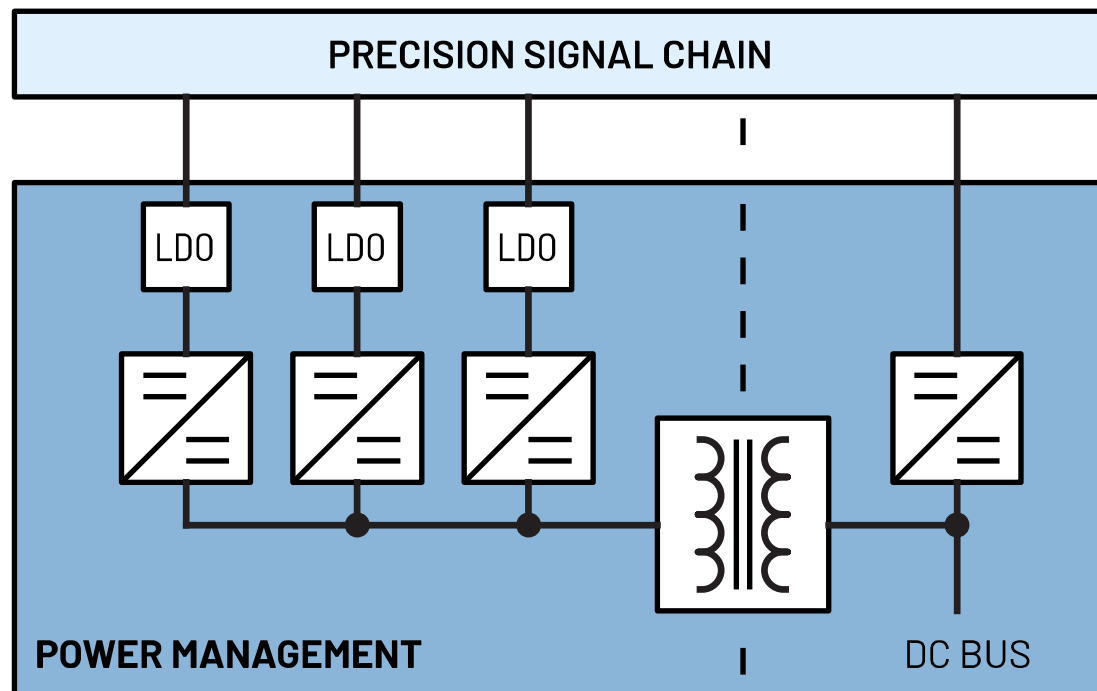


# POWER SOLUTIONS FOR PRECISION TECHNOLOGY SIGNAL CHAINS

PRECISION NARROW BANDWIDTH  
Fully Integrated Voltage and Current Measurement  
Small, Low Power, Sensor Ready

Rev. 0 | Jan. 2022



©2022 Analog Devices, Inc. All rights reserved.  
Trademarks and registered trademarks are the  
property of their respective owners.

This document is interactive. You can click on any underlined text to navigate through the document.

For the resources:

|          |                           |
|----------|---------------------------|
| APPENDIX | <u>Parts Guide</u>        |
|          | <u>Power Requirements</u> |

Left-click the Parts Guide and Power Requirements to go through the list of power devices and other references.

The Power Components are listed on the Appendix, and you may click on the part to go through its product page online.

| PART #          | DESCRIPTION   |
|-----------------|---|
| <u>LT3471</u>   | Dual 1.3A, 1.2MHz Boost/Inverter in 3mm × 3mm DFN                           |
| <u>LT8604</u>   | High Efficiency 42V/120mA Synchronous Buck                                  |
| <u>LT8570-1</u> | Boost/SEPIC/Inverting DC/DC Converter with 65V Switch, Soft-Start and Sync. |

For the individual pages:

Left-click the specific signal chain to go through its respective block diagram or power tree.

|                  |                  |
|------------------|------------------|
| Non-isolated     | <b>POWER RE</b>  |
| <u>1-Channel</u> |                  |
|                  | <b>PARAMETER</b> |
|                  | Supply Voltage   |
|                  | Supply Current   |
|                  | PSRR             |

Precision Narrow Bandwidth

APPENDIX

[Parts Guide](#)

[USER GUIDE](#)

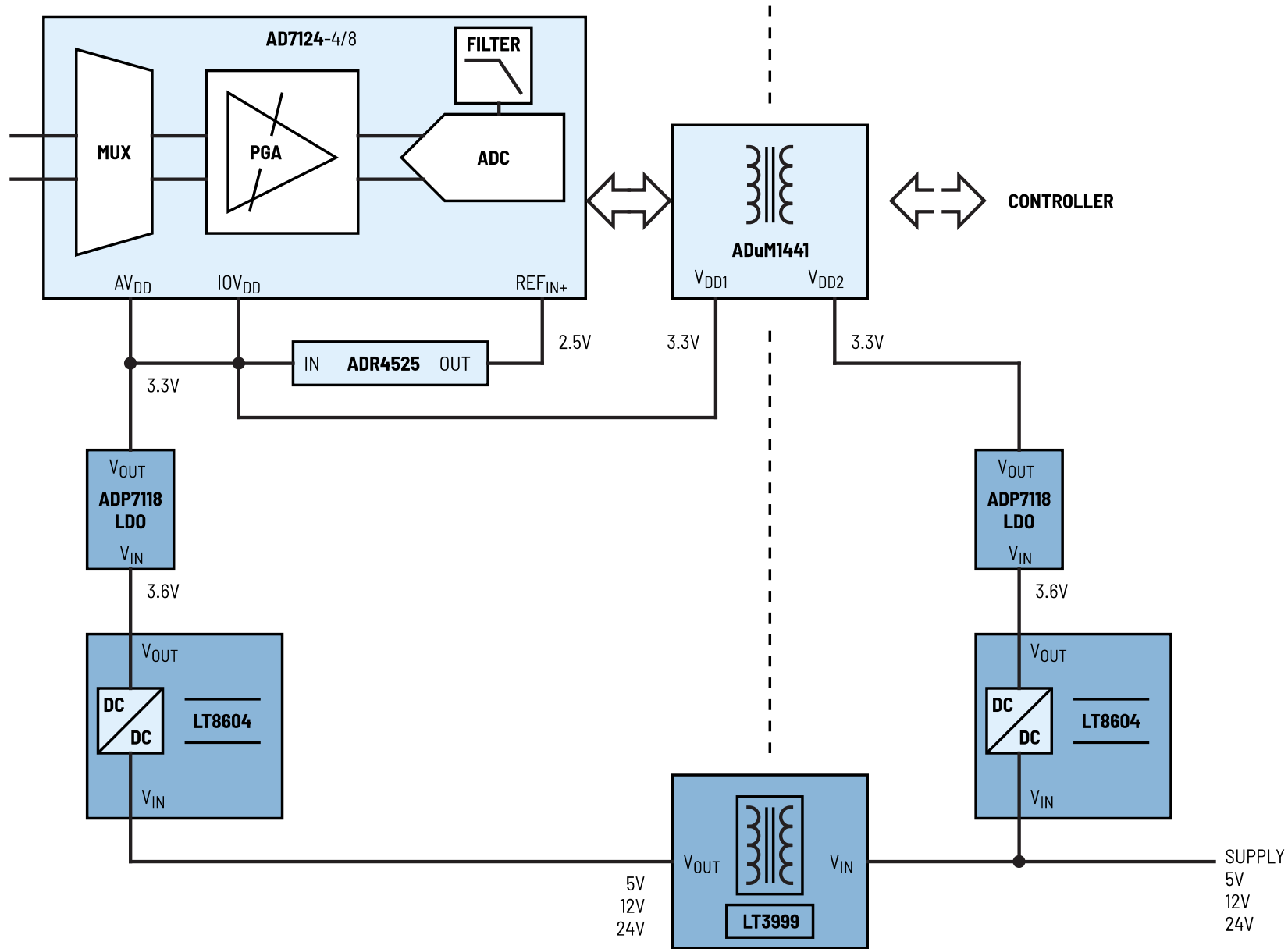
[Power Requirements](#)

Fully Integrated Voltage and Current Measurement

Small, Low Power, Sensor Ready

Isolated

Multichannel



Precision Narrow Bandwidth

Fully Integrated Voltage and Current Measurement

Small, Low Power, Sensor Ready

Isolated

Multichannel

| PART #         | DESCRIPTION  |
|----------------|--|
| <b>LT8604</b>  | High Efficiency 42V/120mA Synchronous Buck                         |
| <b>LT3999</b>  | Low Noise, 1A, 1MHz Push-Pull DC/DC Driver with Duty Cycle Control |
| <b>ADP7118</b> | 20V, 200mA, Low Noise, CMOS LDO Linear Regulator                   |

Isolated

Multichannel

## POWER REQUIREMENTS

| PARAMETER           | ADC        |            | Reference  | Isolation |           |
|---------------------|------------|------------|------------|-----------|-----------|
|                     | AD7124-4/8 |            | ADR4525    | ADuM1441  |           |
|                     | $V_{DD}$   | $IOV_{DD}$ | IN         | $V_{DD1}$ | $V_{DD2}$ |
| Supply Voltage (V)  | 3.3        | 3.3        | 3.3        | 3.3       | 3.3       |
| Supply Current (mA) | 1.2        | 0.08       | 10         | 0.9       | 0.9       |
| PSRR                | -          |            | 50 (10kHz) | -         |           |

**Note 1:** The supply currents indicated are the maximum quiescent current of the supply rails. For overall full load or short circuit current specifications, refer to the datasheets of the signal chain components.

**Note 2:** The supply voltages indicated are the values for typical applications.

**Note 3:** Consult the corresponding datasheets for details on power dissipation if needed.

**Note 4:** The actual supply current requirement shall be multiplied depending on the number of channels on the signal chain.