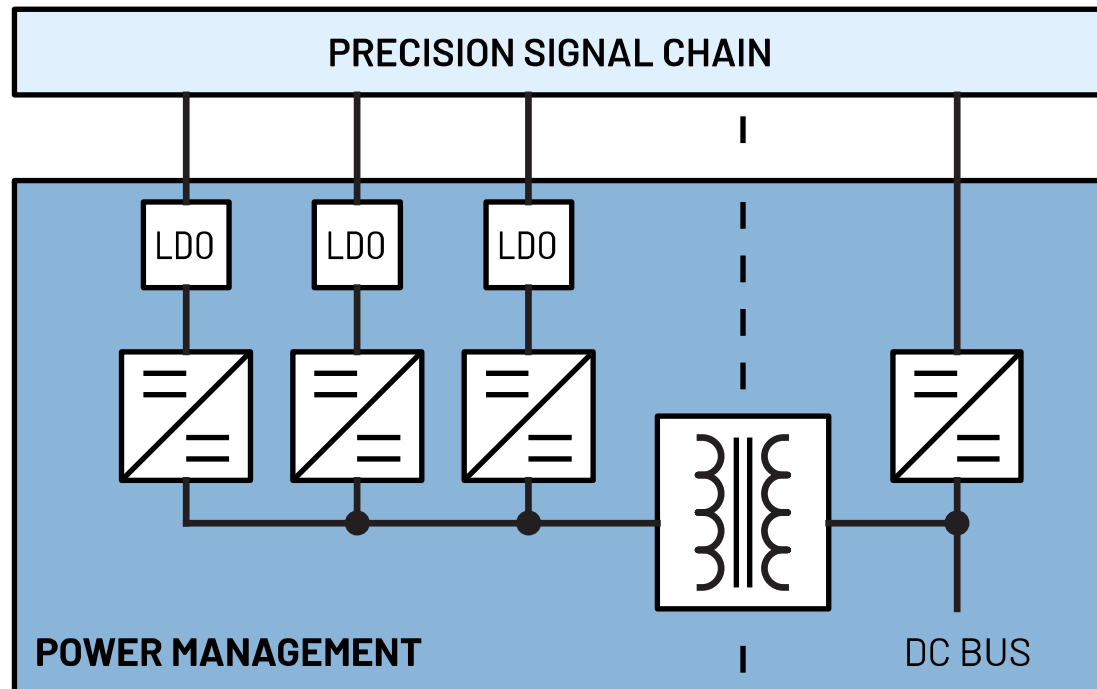


POWER SOLUTIONS FOR PRECISION TECHNOLOGY SIGNAL CHAINS

PRECISION WIDE BANDWIDTH
Current and Voltage Measurement
Power Optimized

Rev. 0 | Jan. 2022



©2022 Analog Devices, Inc. All rights reserved.
Trademarks and registered trademarks are the
property of their respective owners.

USER GUIDE

POWER OPTIMIZED		
CURRENT AND VOLTAGE MEASUREMENT	Non-isolated	<u>1-Channel Signal Chain</u>
		<u>4-Channel Signal Chain</u>
		<u>8-Channel Signal Chain</u>
	Isolated	<u>1-Channel Signal Chain</u>
		<u>4-Channel Signal Chain</u>
		<u>8-Channel Signal Chain</u>

APPENDIX	<u>Parts Guide</u>
	<u>Power Requirements</u>

This document is interactive. You can click on any underlined text to navigate through the document.

For the table of contents and resources:

		POWER OPTIMIZED	
CURRENT AND VOLTAGE MEASUREMENT	Non-isolated	1-Channel Signal Chain	Left-click the specific signal chain to go through its respective block diagram or power tree.
		4-Channel Signal Chain	
		8-Channel Signal Chain	
	Isolated	1-Channel Signal Chain	
		4-Channel Signal Chain	
		8-Channel Signal Chain	

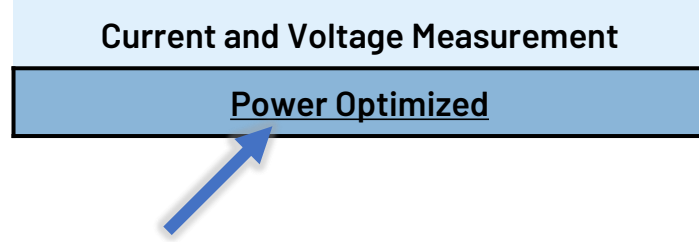
APPENDIX	Parts Guide
	Power Requirements

Left-click the appendix to go through the list of power devices and other references.

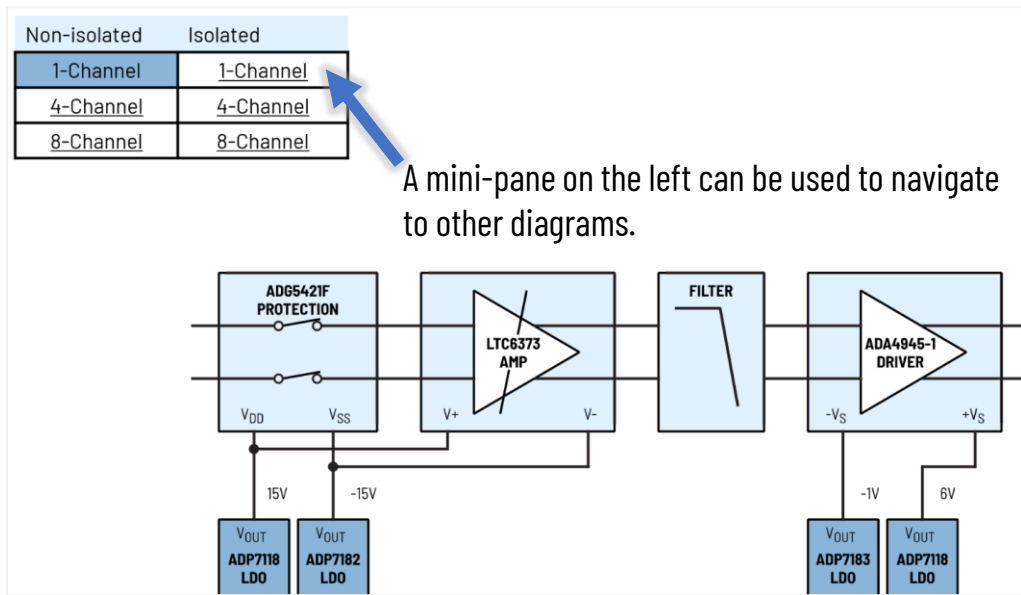
The Power Components are listed on the Appendix, and you may click on the part to go through its product page online.

PART #	DESCRIPTION
LT3471	Dual 1.3A, 1.2MHz Boost/Inverter in 3mm x 3mm DFN
LT8604	High Efficiency 42V/120mA Synchronous Buck
LT8570-1	Boost/SEPIC/Inverting DC/DC Converter with 65V Switch, Soft-Start and Sync.

For the individual pages:



Left-click the subcategory (in this case, **Power Optimized**) to return to the Table of Contents.

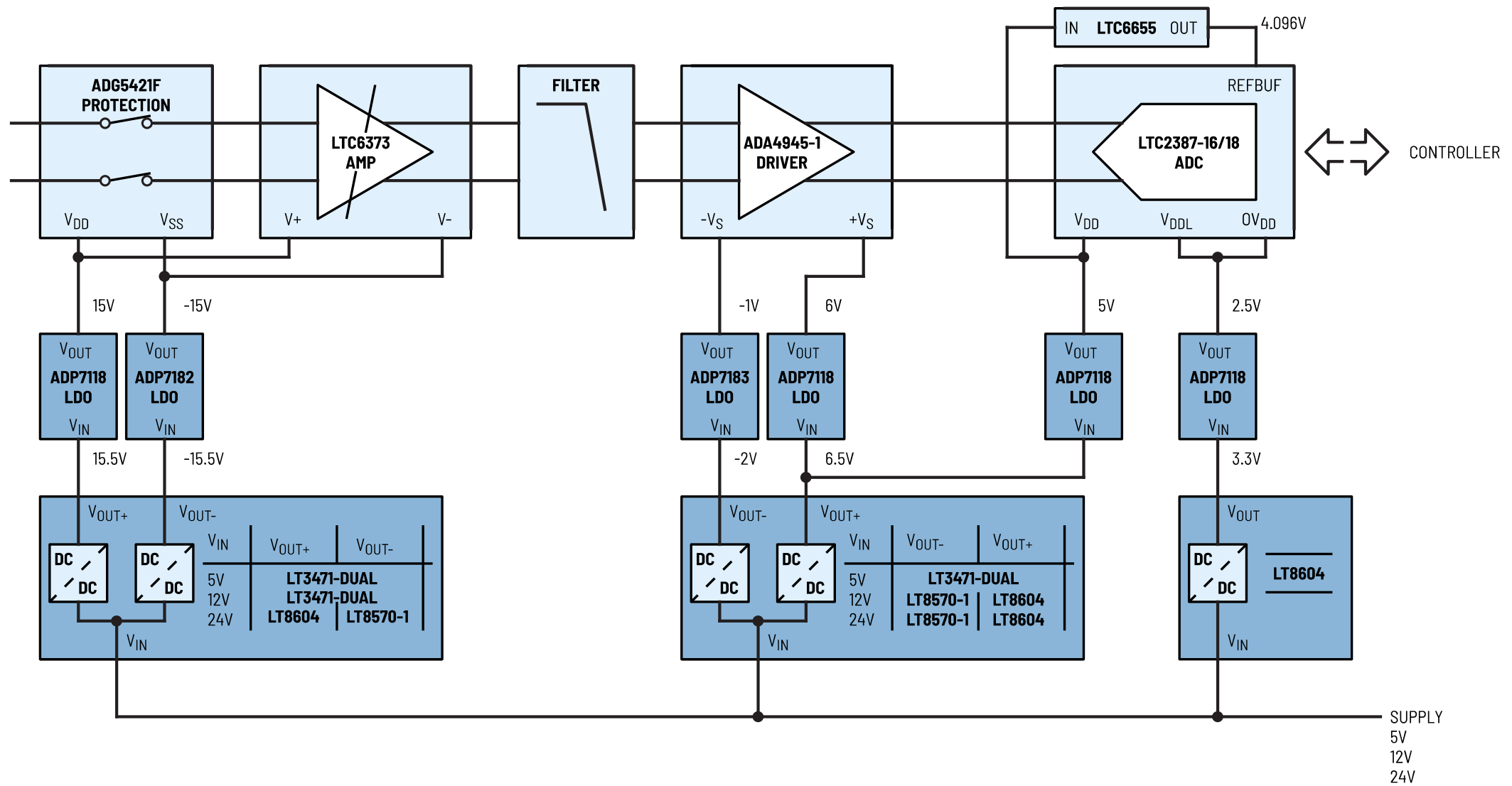


Power Requirements

Current and Voltage Measurement

Power Optimized

Non-isolated	Isolated
1-Channel	1-Channel
4-Channel	4-Channel
8-Channel	8-Channel

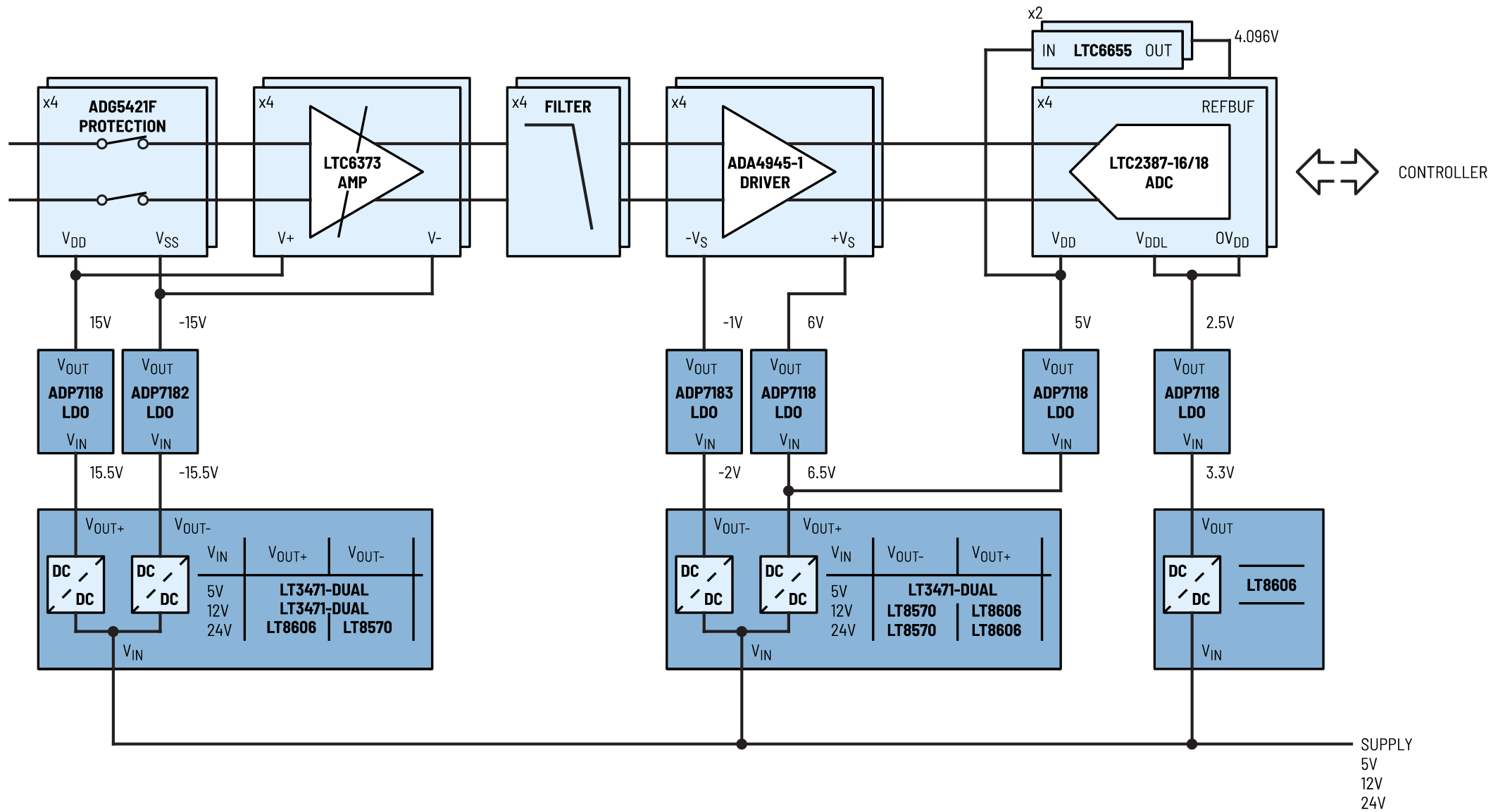


Power Requirements

Current and Voltage Measurement

Power Optimized

Non-isolated	Isolated
1-Channel	1-Channel
4-Channel	4-Channel
8-Channel	8-Channel

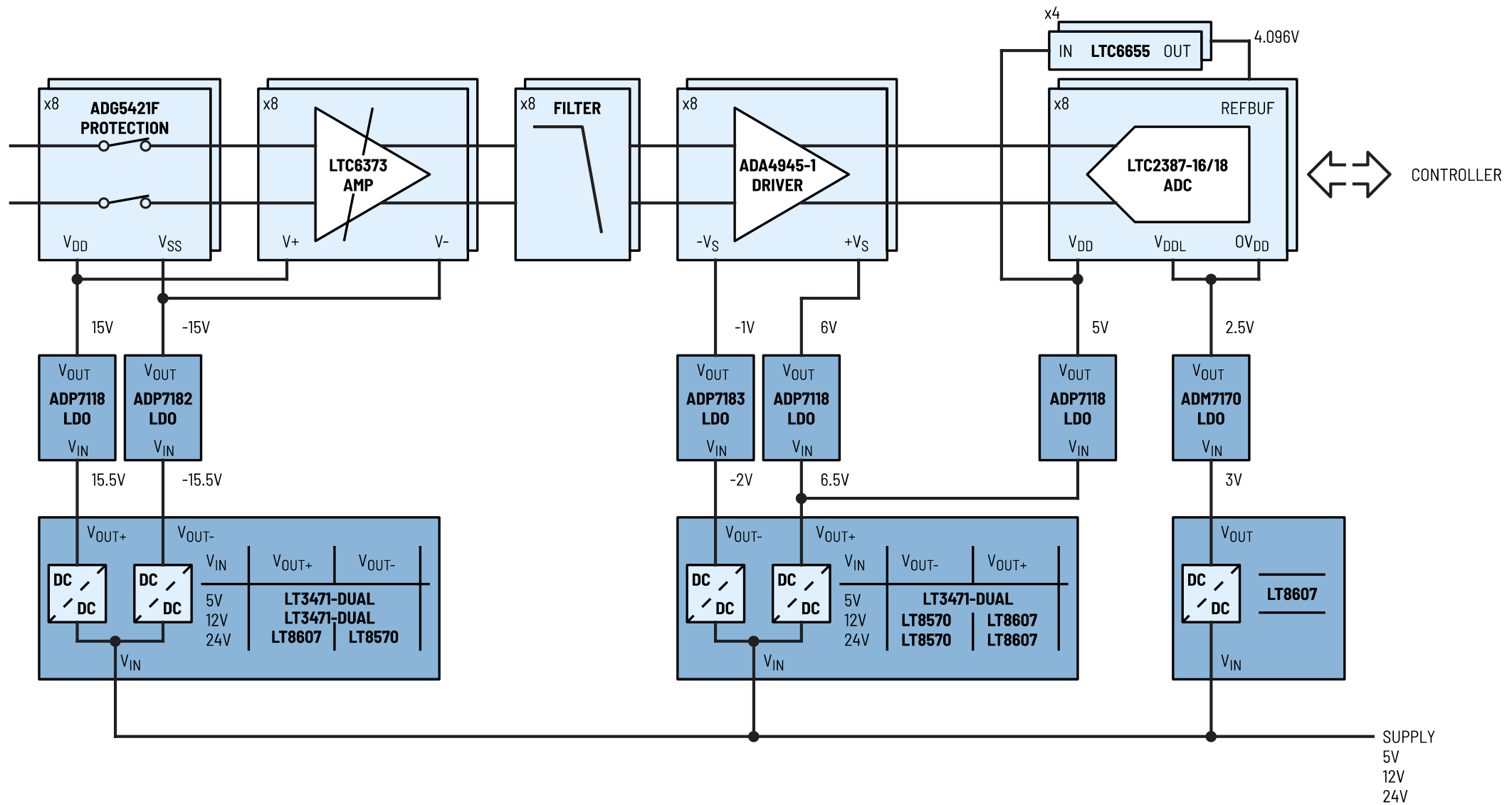


Power Requirements

Current and Voltage Measurement

Power Optimized

Non-isolated	Isolated
<u>1-Channel</u>	<u>1-Channel</u>
<u>4-Channel</u>	<u>4-Channel</u>
<u>8-Channel</u>	<u>8-Channel</u>

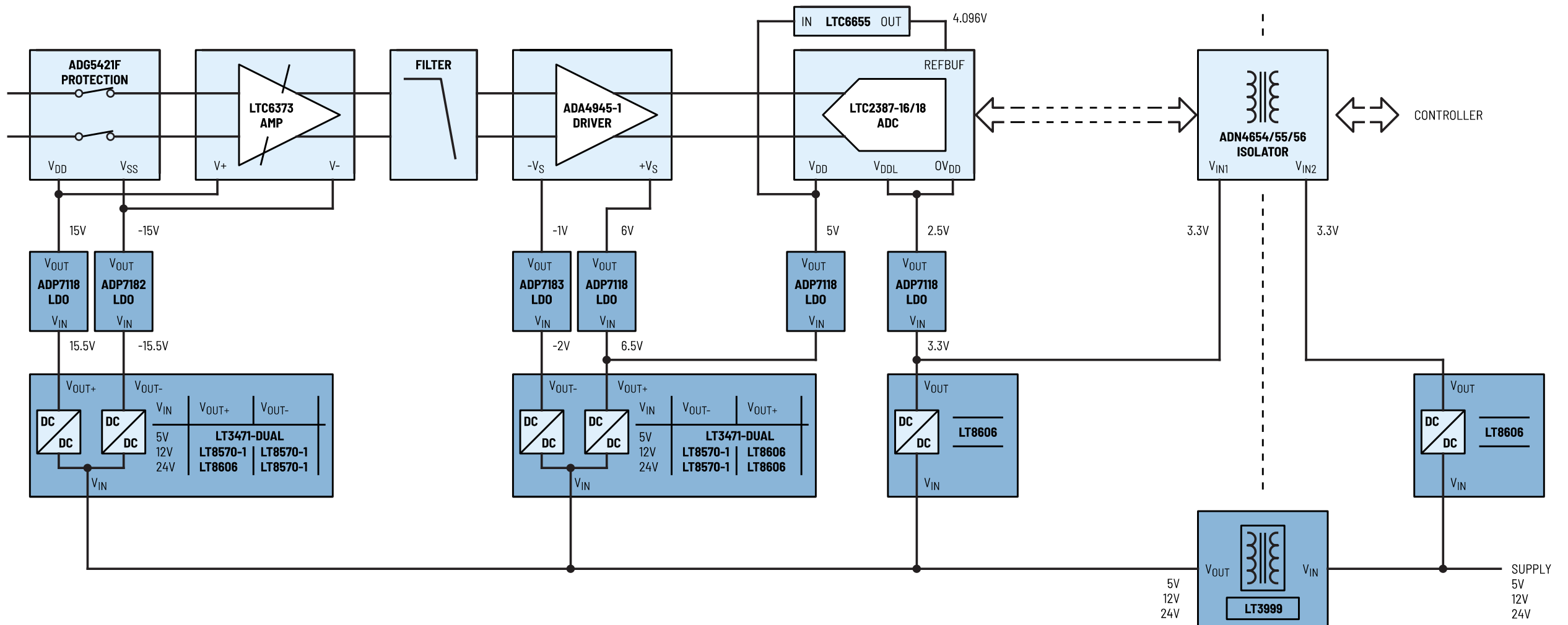


Power Requirements

Current and Voltage Measurement

Power Optimized

Non-isolated	Isolated
1-Channel	1-Channel
4-Channel	4-Channel
8-Channel	8-Channel

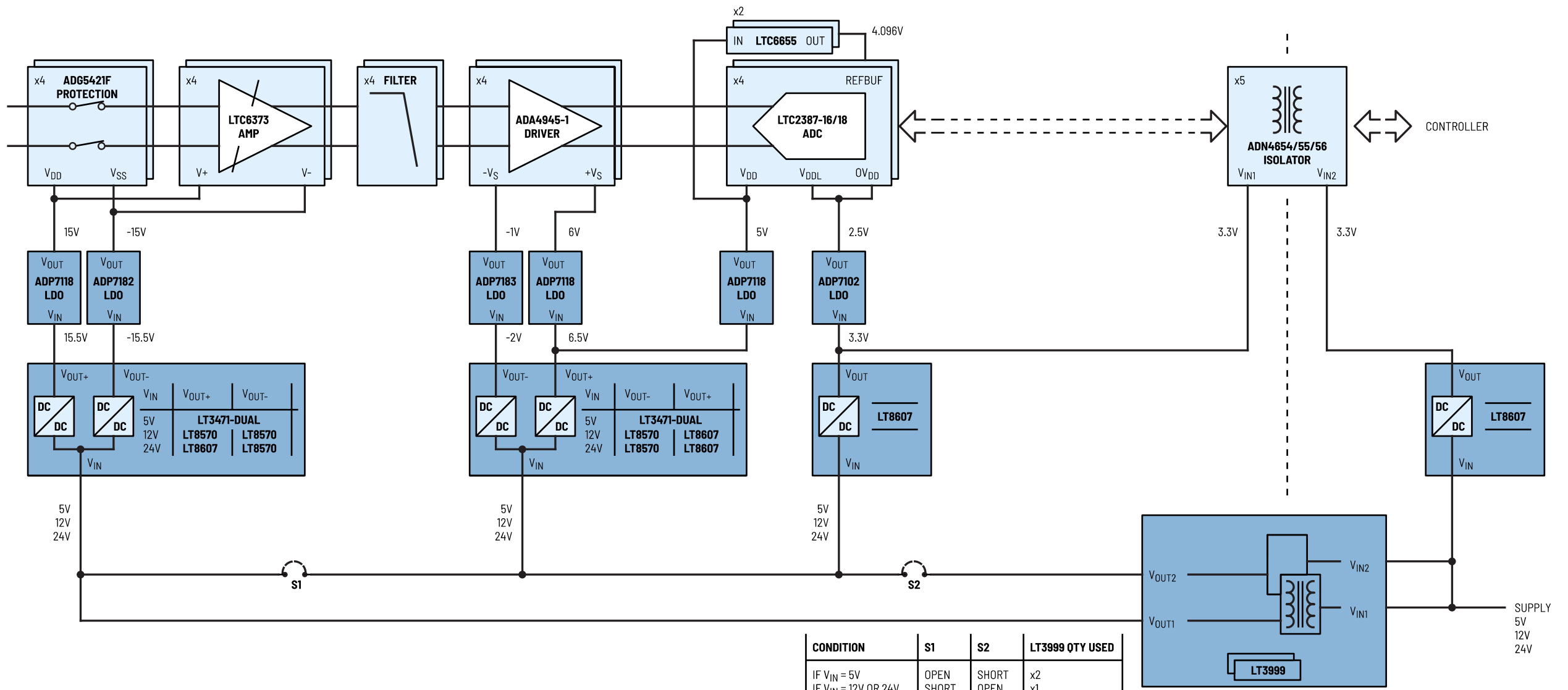


Power Requirements

Current and Voltage Measurement

Power Optimized

Non-isolated	Isolated
1-Channel	1-Channel
4-Channel	4-Channel
8-Channel	8-Channel

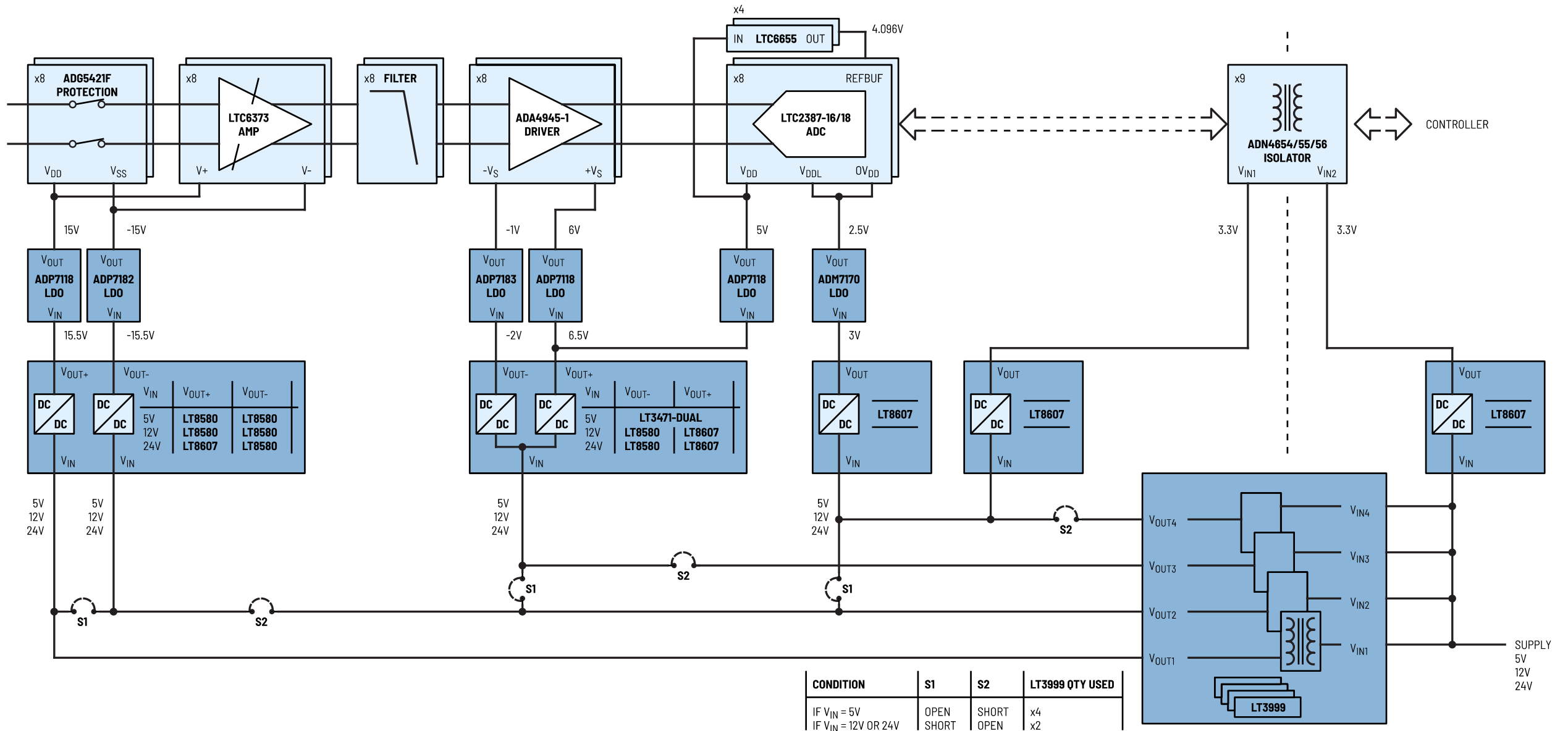


Power Requirements

Current and Voltage Measurement

Power Optimized

Non-isolated	Isolated
<u>1-Channel</u>	<u>1-Channel</u>
<u>4-Channel</u>	<u>4-Channel</u>
<u>8-Channel</u>	<u>8-Channel</u>



Precision Wide Bandwidth

Current and Voltage Measurement

Power Optimized

PART #	DESCRIPTION
<u>LT3471</u>	Dual 1.3A, 1.2MHz Boost/Inverter in 3mm × 3mm DFN
<u>LT8604</u>	High Efficiency 42V/120mA Synchronous Buck
<u>LT8570-1</u>	Boost/SEPIC/Inverting DC/DC Converter with 65V Switch, Soft-Start and Sync.
<u>LT8606</u>	42V, 350mA Synchronous Step-Down Regulator with 2.5μA Quiescent Current
<u>LT8570</u>	Boost/SEPIC/Inverting DC/DC Converter with 65V Switch, Soft-Start and Sync.
<u>LT8607</u>	42V, 750mA Synchronous Step-Down Regulator with 2.5μA Quiescent Current
<u>LT8580</u>	Boost/SEPIC/Inverting DC/DC Converter with 1A, 65V Switch, Soft-Start and Sync.
<u>LT3999</u>	Low Noise, 1A, 1MHz Push-Pull DC/DC Driver with Duty Cycle Control
<u>ADP7118</u>	20V, 200mA, Low Noise, CMOS LDO Linear Regulator
<u>ADP7182</u>	-28V, -200mA, Low Noise, Linear Regulator
<u>ADP7183</u>	-300mA, Ultralow Noise, High PSRR, Low Dropout Linear Regulator
<u>ADM7170</u>	6.5V, 500mA, Ultralow Noise, High PSRR, Fast Transient Response CMOS LDO

POWER REQUIREMENTS

PARAMETER	STAGES	Protection		Gain		Filter	ADC Driver		ADC			Reference	Isolation	
	Part #	ADG5421F		LTC6373		-	ADA4945-1		LTC2387-16/18			LTC6655	ADN4654	
	Pin	V _{DD}	V _{SS}	V+	V-		+V _S	-V _S	V _{DD}	V _{DDL}	OV _{DD}	IN	V _{DD1}	V _{DD2}
Supply Voltage	V	15	-15	15	-15	-	6	-1	5	2.5	2.5	5	3.3	3.3
Supply Current	mA	0.205	-0.115	5.25	-5.25	-	4.2	-4.2	6	35	10.3	1.8	80	80
PSRR	dB	90 (1MHz)		130 (G=1)		-	105 (1MHz)		-			40 (10kHz)	-75 (dBc)	

Note 1: The supply currents indicated are the maximum quiescent current of the supply rails. For overall full load or short circuit current specifications, refer to the datasheets of the signal chain components.

Note 2: The supply voltages indicated are the values for typical applications.

Note 3: Consult the corresponding datasheets for details on power dissipation if needed.

Note 4: The actual supply current requirement shall be multiplied depending on the number of channels on the signal chain.