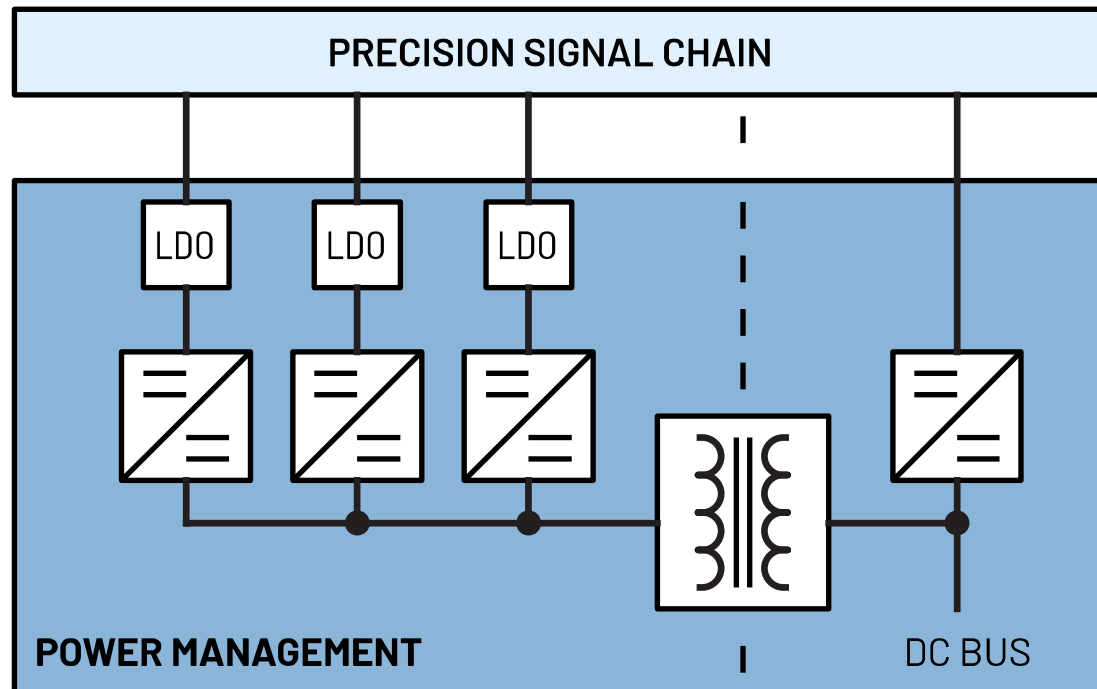


POWER SOLUTIONS FOR PRECISION TECHNOLOGY SIGNAL CHAINS

PRECISION WIDE BANDWIDTH
Current and Voltage Drive
Optimized for Flexibility

Rev. 0 | Jan. 2022



©2022 Analog Devices, Inc. All rights reserved.
Trademarks and registered trademarks are the
property of their respective owners.

This document is interactive. You can click on any underlined text to navigate through the document.

For the resources:

APPENDIX	<u>Parts Guide</u>
	<u>Power Requirements</u>

Left-click the Parts Guide and Power Requirements to go through the list of power devices and other references.

The Power Components are listed on the Appendix, and you may click on the part to go through its product page online.

PART #	DESCRIPTION
<u>LT3471</u>	Dual 1.3A, 1.2MHz Boost/Inverter in 3mm × 3mm DFN
<u>LT8604</u>	High Efficiency 42V/120mA Synchronous Buck
<u>LT8570-1</u>	Boost/SEPIC/Inverting DC/DC Converter with 65V Switch, Soft-Start and Sync.

For the individual pages:

Left-click the specific signal chain to go through its respective block diagram or power tree.

Non-isolated	POWER RE
<u>1-Channel</u>	
	PARAMETER
	Supply Voltage
	Supply Current
	PSRR

APPENDIX

[Parts Guide](#)

[USER GUIDE](#)

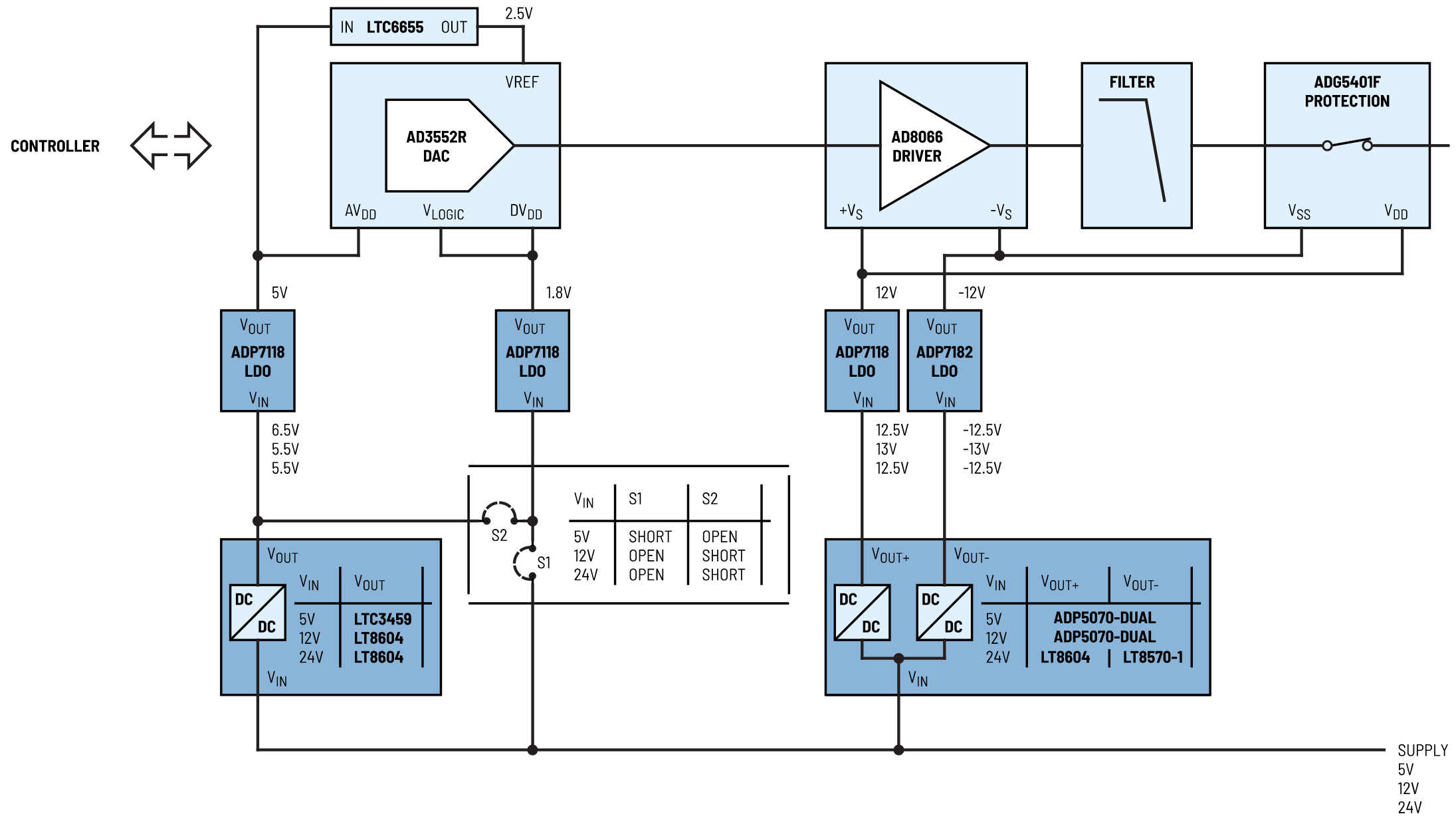
[Power Requirements](#)

Current and Voltage Drive

Optimized for Flexibility

Non-isolated

1-Channel



Precision Wide Bandwidth

Current and Voltage Drive

Optimized for Flexibility

Non-isolated

1-Channel

PART #	DESCRIPTION
<u>ADP5070</u>	1A/0.6A, DC-to-DC Switching Regulator w/ Independent Positive and Negative Outputs
<u>LT8604</u>	High Efficiency 42V/120mA Synchronous Buck
<u>LT8570-1</u>	Boost/SEPIC/Inverting DC/DC Converter with 65V Switch, Soft-Start and Sync.
<u>LTC3459</u>	10V Micropower Synchronous Boost Converter in ThinSOT
<u>ADP7118</u>	20V, 200mA, Low Noise, CMOS LDO Linear Regulator
<u>ADP7182</u>	-28V, -200mA, Low Noise, Linear Regulator

Non-isolated

1-Channel

POWER REQUIREMENTS

PARAMETER	STAGES	DAC			Filter	Output Driver		Reference	Protection	
	Part #	AD3552R			-	AD8066		LTC6655	ADG5401F	
	Pin	DV _{DD}	V _{LOGIC}	AV _{DD}		+V _S	-V _S	IN	V _{DD}	V _{SS}
Supply Voltage	V	1.8	1.8	5	-	12	-12	5	12	-12
Supply Current	mA	0.5	0.001	17.5	-	7.4	-7.4	1.8	0.24	0.12
PSRR	dB	-			-	64 (1MHz)	34 (1MHz)	40 (10kHz)	82 (1MHz)	

Note 1: The supply currents indicated are the maximum quiescent current of the supply rails. For overall full load or short circuit current specifications, refer to the datasheets of the signal chain components.

Note 2: The supply voltages indicated are the values for typical applications.

Note 3: Consult the corresponding datasheets for details on power dissipation if needed.

Note 4: The actual supply current requirement shall be multiplied depending on the number of channels on the signal chain.