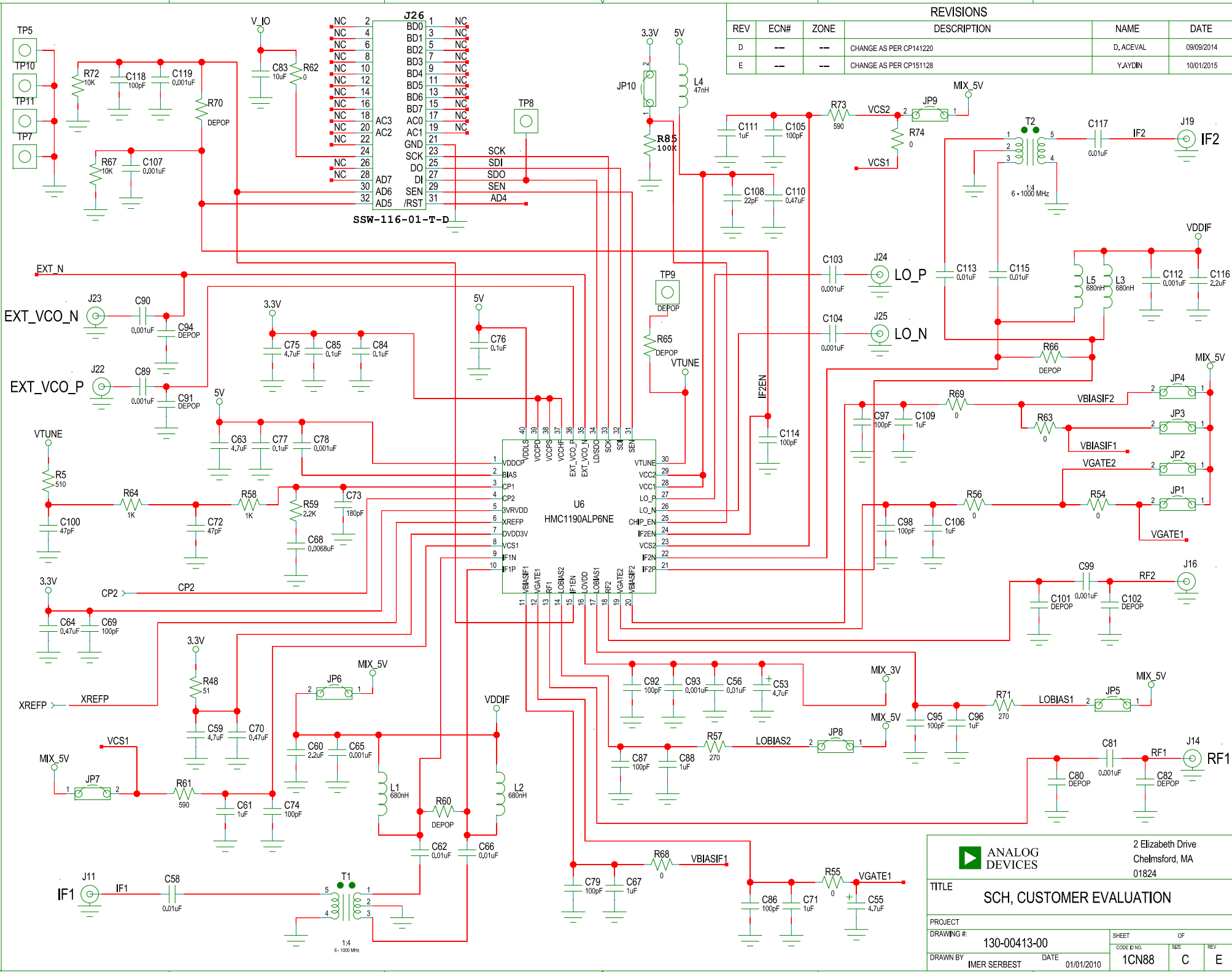


NOTICE OF PROPRIETARY PROPERTY: THIS DOCUMENT AND THE INFORMATION CONTAINED IN IT ARE THE PROPRIETARY PROPERTY OF ANALOG DEVICES. IT MAY NOT BE COPIED OR USED IN ANY MANNER NOR MAY ANY OF THE INFORMATION IN OR UPON IT BE USED FOR ANY PURPOSE WITHOUT THE EXPRESSED WRITTEN CONSENT OF AN AUTHORIZED AGENT OF ANALOG DEVICES.

REVISIONS					
REV	ECN#	ZONE	DESCRIPTION	NAME	DATE
D	--	--	CHANGE AS PER CP141220	D. ACEVAL	09/09/2014
E	--	--	CHANGE AS PER CP151128	Y.JAYDIN	10/01/2015



J26

1	NC
2	NC
3	BD0
4	NC
5	BD1
6	NC
7	BD2
8	NC
9	BD3
10	NC
11	BD4
12	NC
13	BD5
14	NC
15	BD6
16	NC
17	BD7
18	NC
19	AC0
20	NC
21	AC1
22	NC
23	GND
24	NC
25	SCK
26	NC
27	DI
28	NC
29	AD7
30	AD6
31	AD5
32	/RST

SSW-116-01-T-D

ANALOG DEVICES
2 Elizabeth Drive
Chelmsford, MA
01824

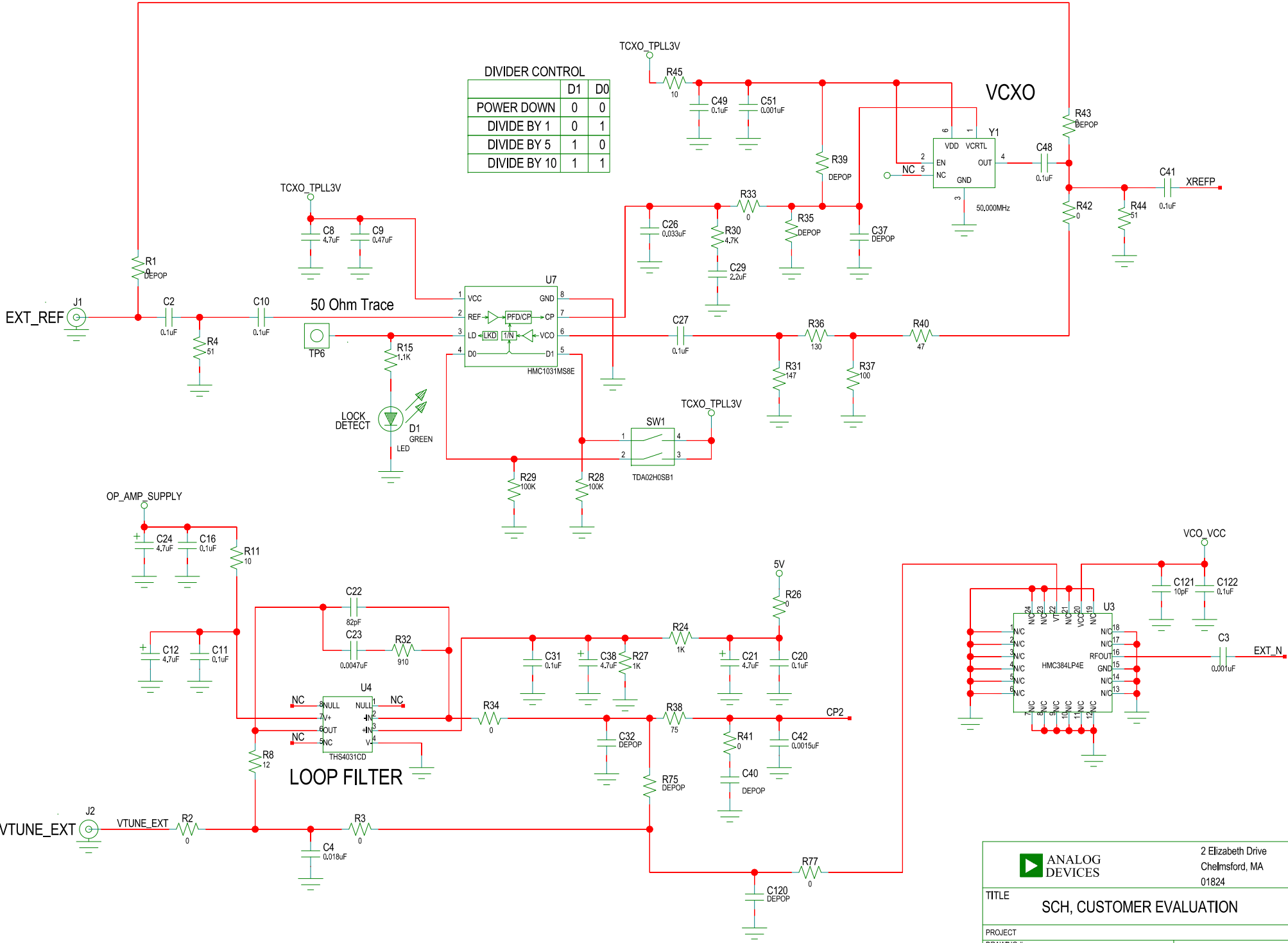
TITLE
SCH, CUSTOMER EVALUATION

PROJECT
DRAWING #: 130-00413-00

DRAWN BY IMER SERBEST **DATE** 01/01/2010

SHEET 1 **OF** 1
CODE 1CN88 **SIZE** C **REV** E

29/09/2015:14:04



ANALOG DEVICES
 2 Elizabeth Drive
 Chelmsford, MA
 01824

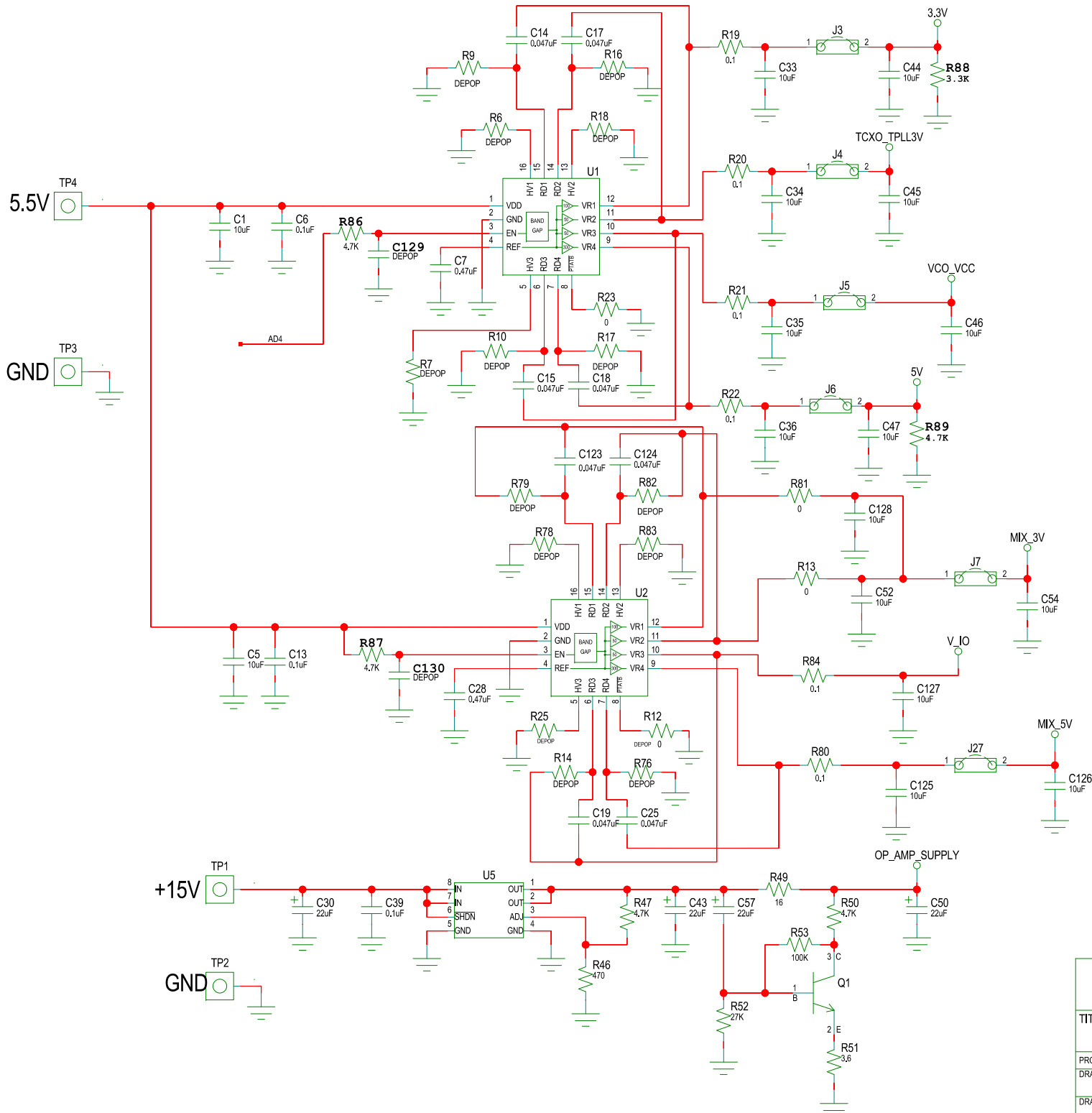
TITLE
 SCH, CUSTOMER EVALUATION

PROJECT
 DRAWING #: 130-00413-00

CODE D. NO.	SIZE	REV
1CN88	C	E

DRAWN BY: IMER SERBEST DATE: 01/01/2010

29/09/2015:13:58



		2 Elizabeth Drive	
		Chelmsford, MA 01824	
TITLE			
SCH, CUSTOMER EVALUATION			
PROJECT			
DRAWING #:		130-00413-00	
DRAWN BY:		DATE	
IMER SERBEST		01/01/2010	
CODE # NO.		REV	
1CN88		C E	
SIZE		REV	
C		E	