

6

5

4

3

2

1

REVISION RECORD			
LTR	ECO NO:	APPROVED:	DATE:
0	-	R.Finnerty	06/11

D

D

C

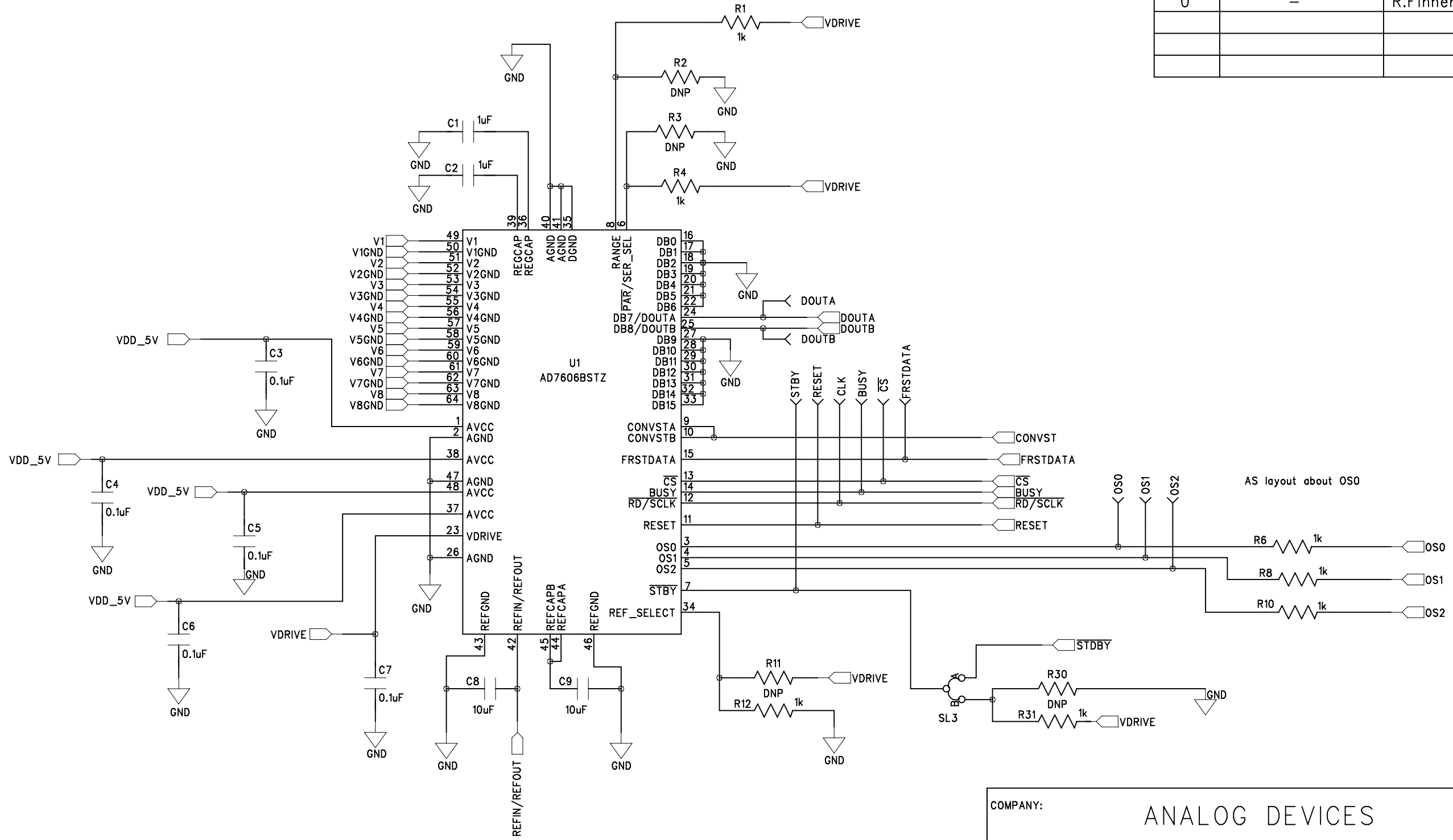
C

B

B

A

A



COMPANY:				ANALOG DEVICES			
TITLE:				EVAL-AD7606SDZ			
DRAWN: Rob Finnerty	DATED: DEC 2014	CODE:	SIZE:	DRAWING NO:		REV:	
CHECKED: <Checked By>	DATED: <Checked Date>	<Code>	A3	EVAL-AD7606SDZ		A	
QUALITY CONTROL: <QC By>	DATED: <QC Date>	SCALE: NTS		SHEET: 1 OF 5			
RELEASED: <Released By>	DATED: <Release Date>						

6

5

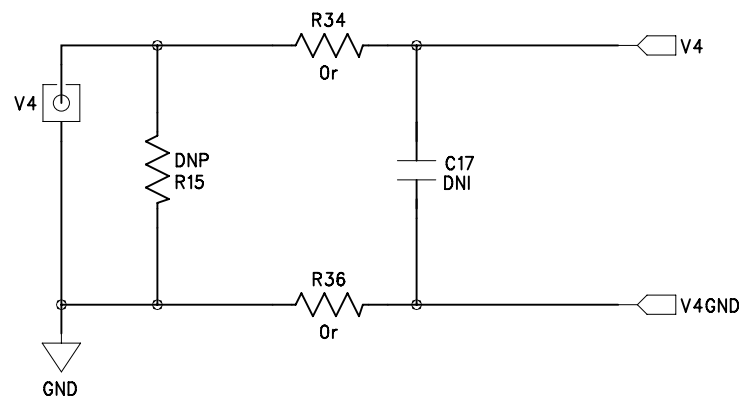
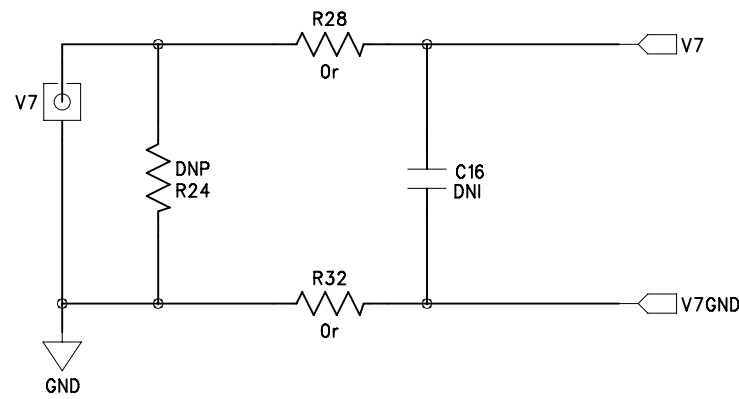
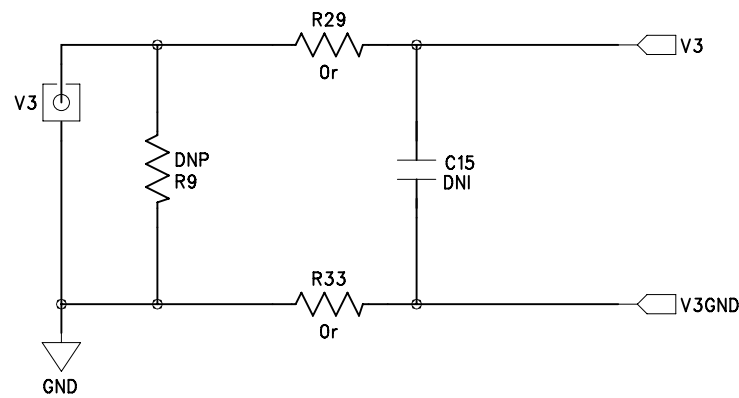
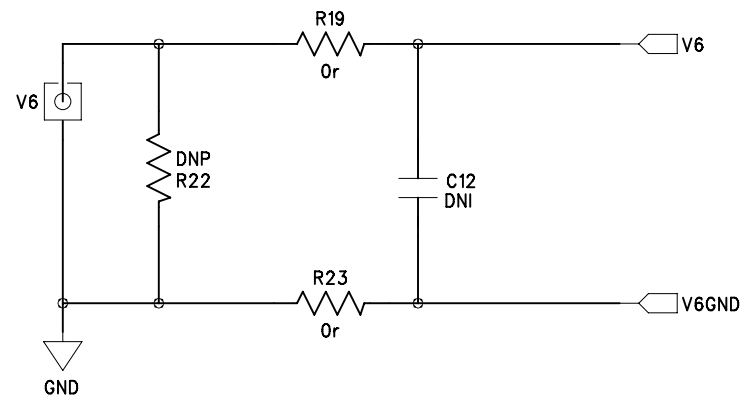
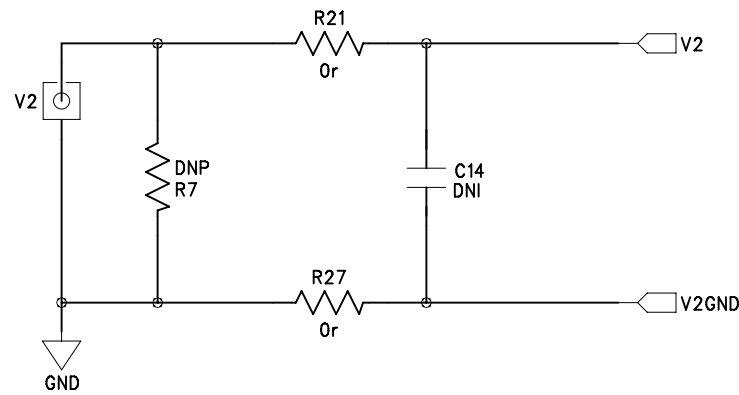
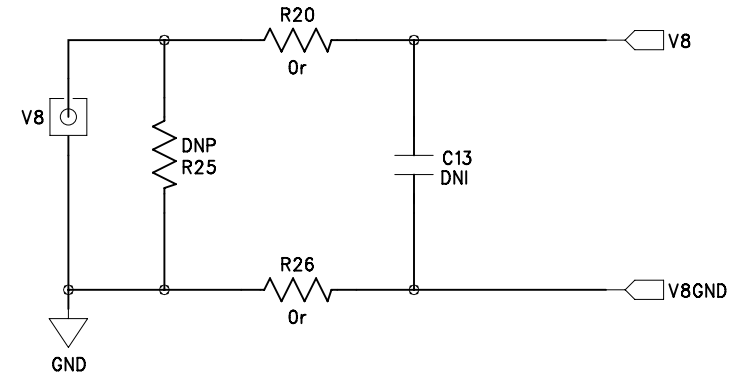
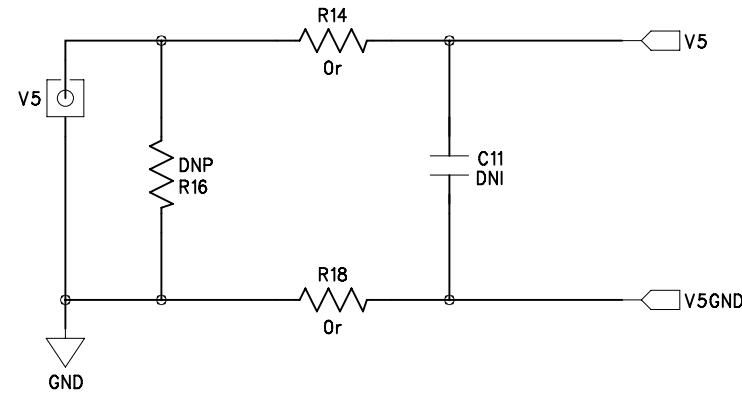
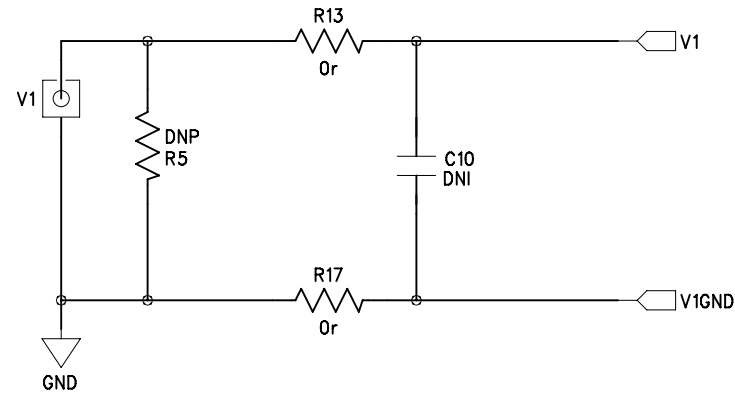
4

3

2

1

REVISION RECORD			
LTR	ECO NO:	APPROVED:	DATE:
0	-	R.Finnerty	06/11



COMPANY: ANALOG DEVICES

TITLE: EVAL-AD7606SDZ

DRAWN: Rob Finnerty	DATED: DEC 2014
CHECKED: <Checked By>	DATED: <Checked Date>
QUALITY CONTROL: <QC By>	DATED: <QC Date>
RELEASED: <Released By>	DATED: <Release Date>

CODE:	SIZE:	DRAWING NO:	REV:
<Code>	A3	EVAL-AD7606SDZ	A

SCALE: NTS SHEET: 2 OF 5

6

5

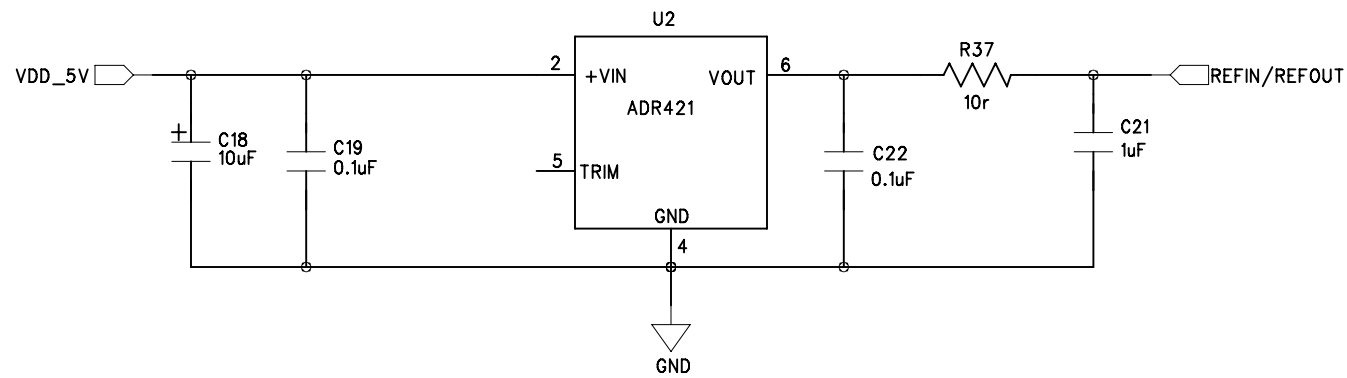
4

3

2

1

REVISION RECORD			
LTR	ECO NO:	APPROVED:	DATE:
0	-	R.Finnerty	06/11



D

D

C

C

B

B

A

A

COMPANY: ANALOG DEVICES

TITLE: EVAL-AD7606SDZ

DRAWN: Rob Finnerty	DATED: DEC 2014	CODE:	SIZE:	DRAWING NO:	REV:
CHECKED: <Checked By>	DATED: <Checked Date>	<Code>	A3	EVAL-AD7606SDZ	A
QUALITY CONTROL: <QC By>	DATED: <QC Date>	SCALE: NTS		SHEET: 3 OF 5	
RELEASED: <Released By>	DATED: <Release Date>				

6

5

4

3

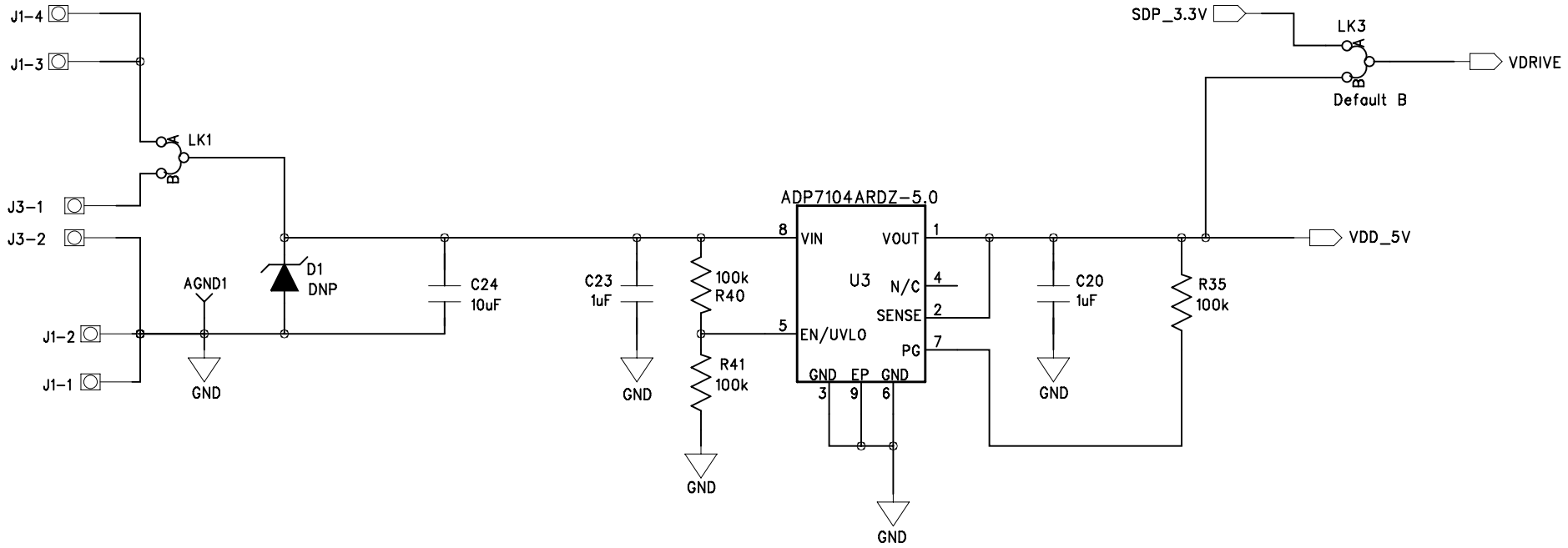
2

1

REVISION RECORD			
LTR	ECO NO:	APPROVED:	DATE:
0	-	R.Finnerty	06/11

DC Power Connectors 2mm SMT POWER JACK

2 Pin Terminal Block (5mm Pitch)



COMPANY: ANALOG DEVICES

TITLE: EVAL-AD7606SDZ

DRAWN: Rob Finnerty	DATED: DEC 2014
CHECKED: <Checked By>	DATED: <Checked Date>
QUALITY CONTROL: <QC By>	DATED: <QC Date>
RELEASED: <Released By>	DATED: <Release Date>

CODE:	SIZE:	DRAWING NO:	REV:
<Code>	A3	EVAL-AD7606SDZ	A

SCALE: NTS SHEET: 4 OF 5

D

D

C

C

B

B

A

A

6

5

4

3

2

1

Board ID EEPROM (24LC32) must be on I2C bus 0,

REVISION RECORD			
LTR	ECO NO:	APPROVED:	DATE:
0	-	R.Finnerty	06/11

D

D

C

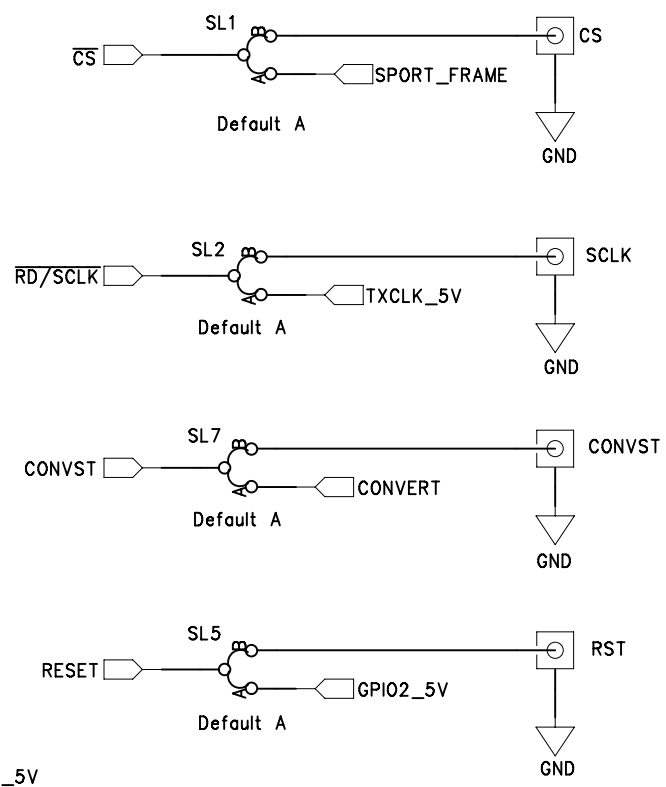
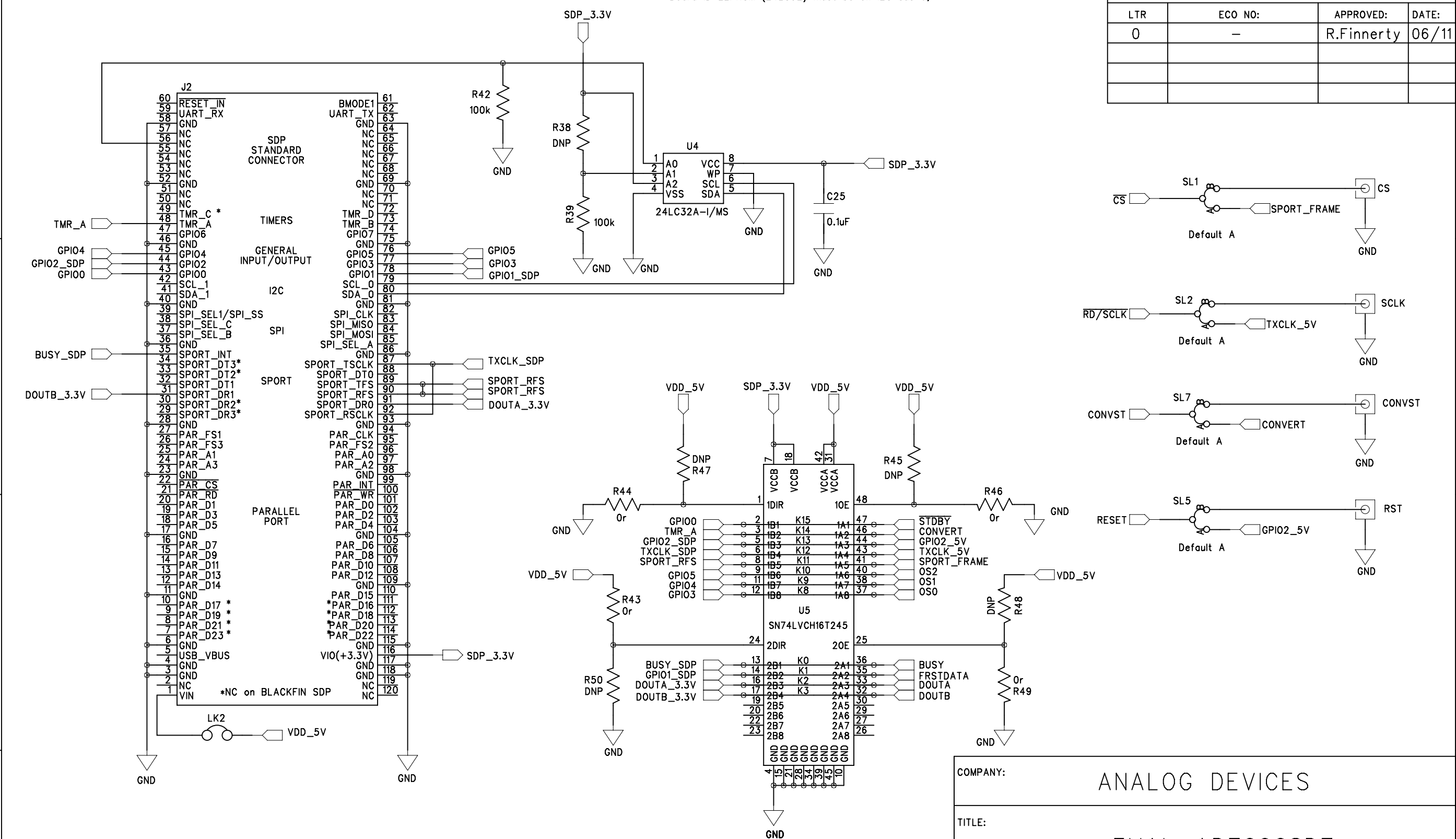
C

B

B

A

A



COMPANY:				ANALOG DEVICES			
TITLE:				EVAL-AD7606SDZ			
DRAWN:	DATED:	CODE:	SIZE:	DRAWING NO:	REV:		
Rob Finnerty	DEC 2014	<Code>	A3	EVAL-AD7606SDZ	A		
CHECKED:	DATED:						
<Checked By>	<Checked Date>						
QUALITY CONTROL:	DATED:						
<QC By>	<QC Date>						
RELEASED:	DATED:						
<Released By>	<Release Date>						