

6

5

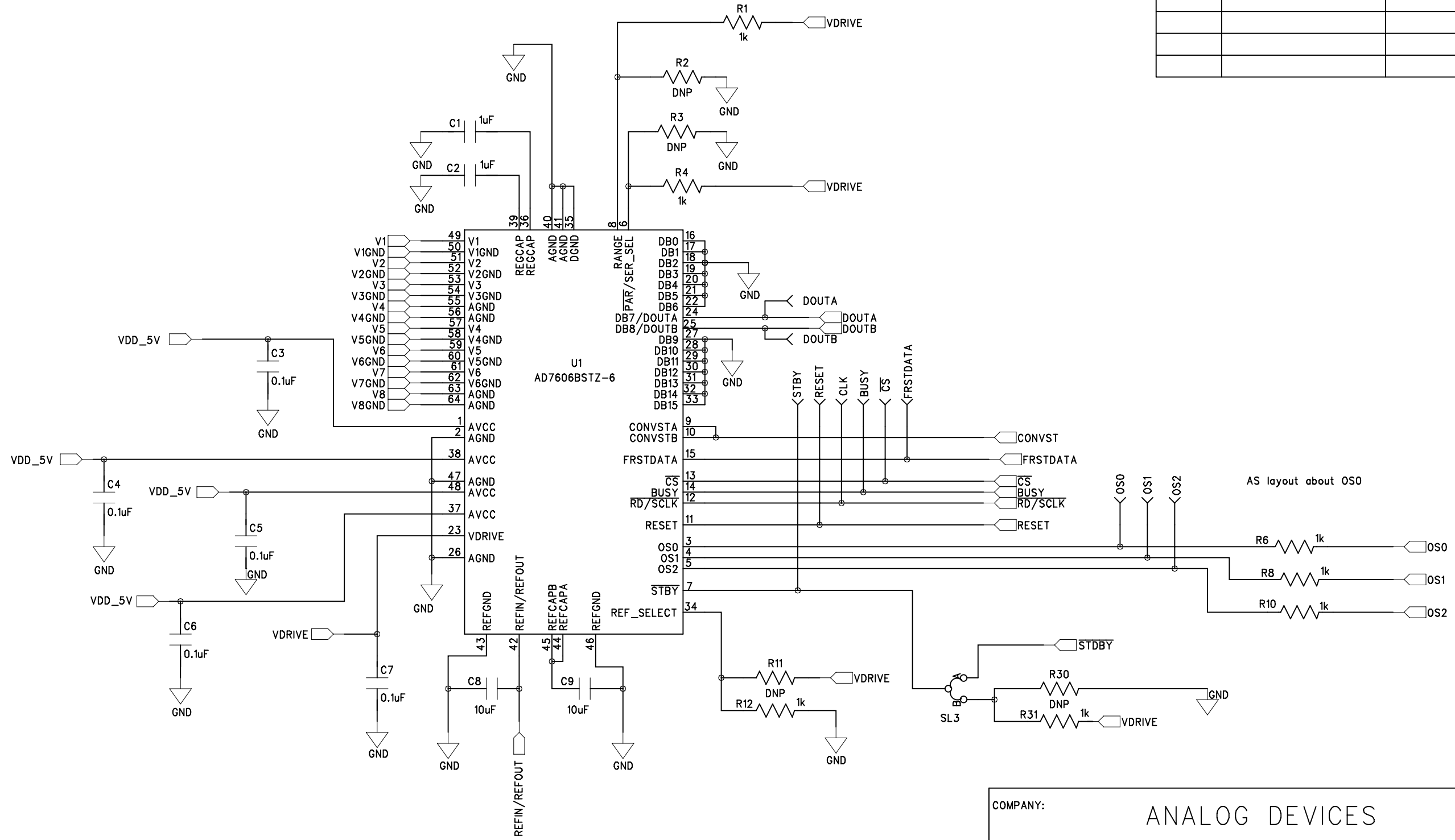
4

3

2

1

REVISION RECORD			
LTR	ECO NO:	APPROVED:	DATE:



COMPANY:				ANALOG DEVICES			
TITLE:				EVAL-AD7606-6SDZ			
DRAWN: Rob Finnerty	DATED: 23/03/15	CODE:	SIZE:	DRAWING NO:		REV:	
CHECKED: <Checked By>	DATED: <Checked Date>	<Code>	A3	EVAL-AD7606-6SDZ		A	
QUALITY CONTROL: <QC By>	DATED: <QC Date>	SCALE: NTS		SHEET: 1 of 5			
RELEASED: <Released By>	DATED: <Release Date>						

D

D

C

C

B

B

A

A

6

5

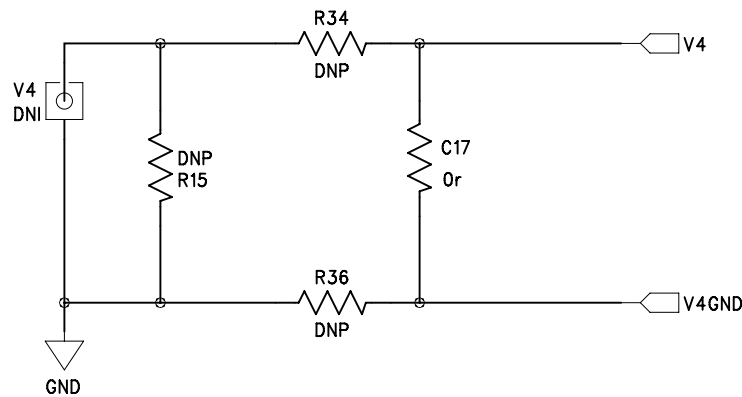
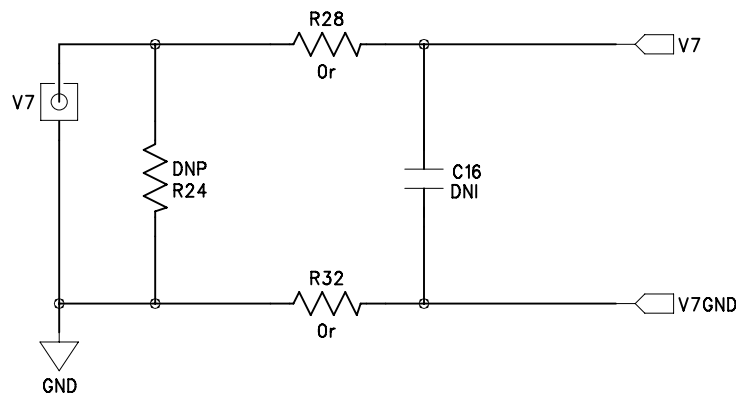
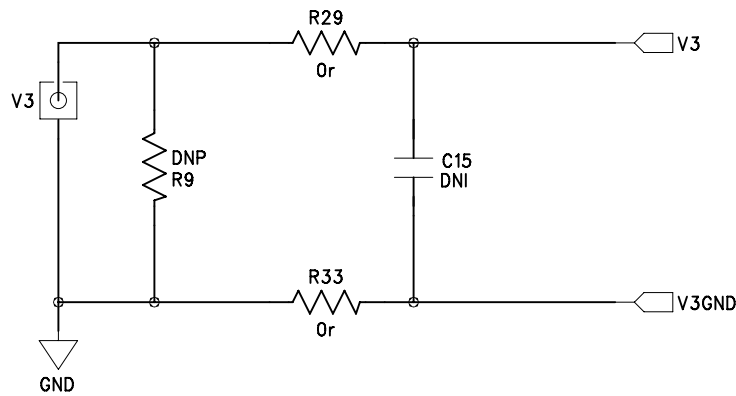
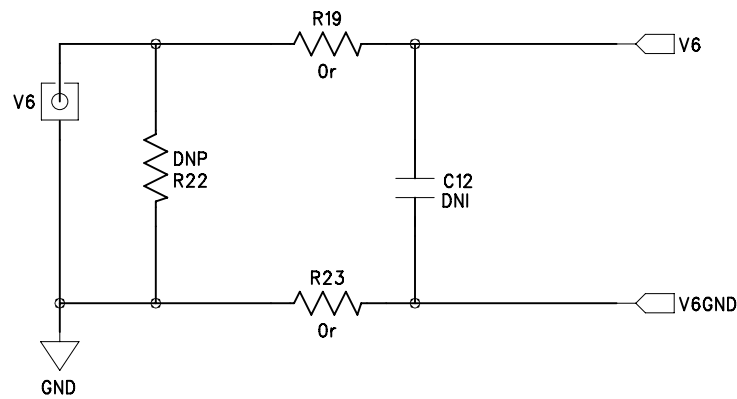
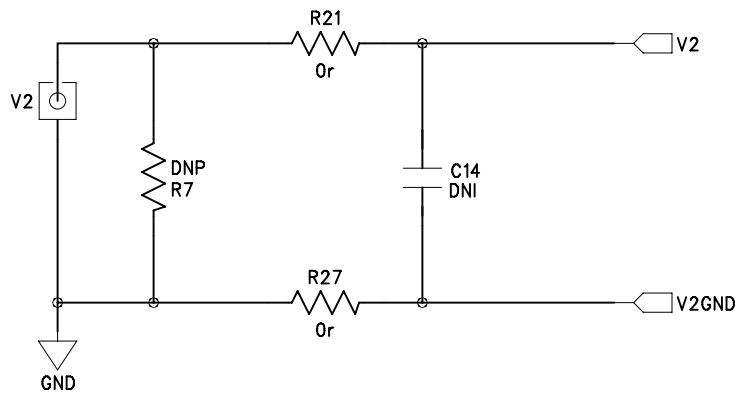
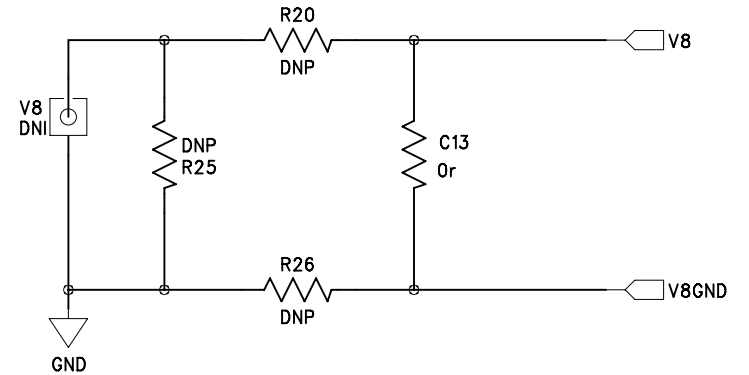
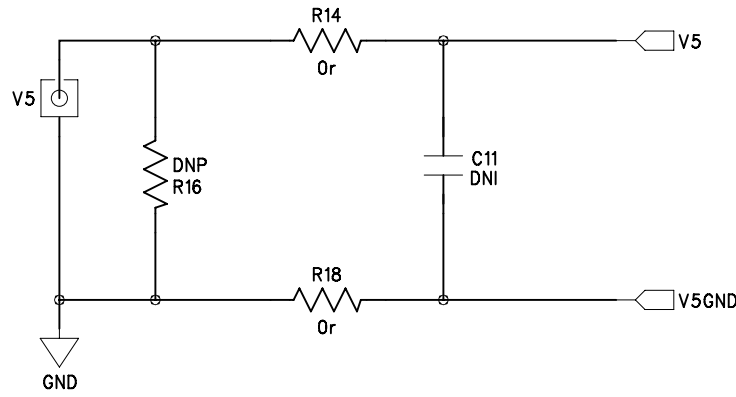
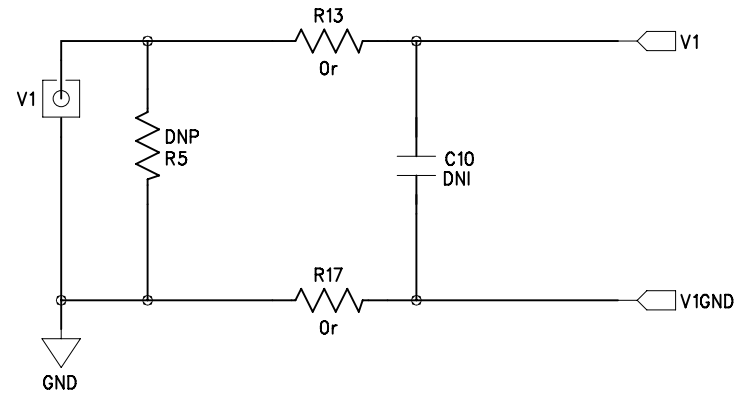
4

3

2

1

REVISION RECORD			
LTR	ECO NO:	APPROVED:	DATE:



COMPANY: ANALOG DEVICES

TITLE: EVAL-AD7606-6SDZ

DRAWN: Rob Finnerty	DATED: 23/03/15
CHECKED: <Checked By>	DATED: <Checked Date>
QUALITY CONTROL: <QC By>	DATED: <QC Date>
RELEASED: <Released By>	DATED: <Release Date>

CODE:	SIZE:	DRAWING NO:	REV:
<Code>	A3	EVAL-AD7606-6SDZ	A

SCALE: NTS SHEET: 2 OF 5

6

5

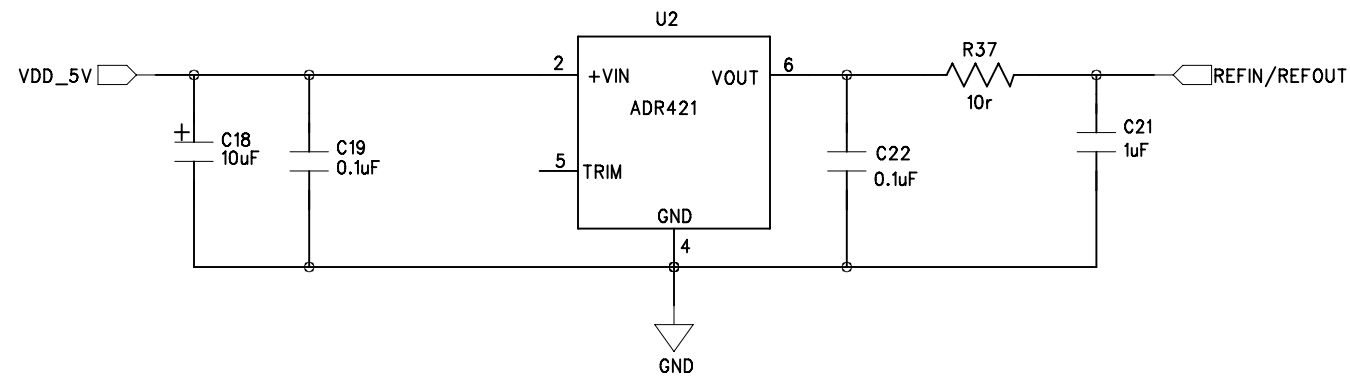
4

3

2

1

REVISION RECORD			
LTR	ECO NO:	APPROVED:	DATE:



D

D

C

C

B

B

A

A

COMPANY:				ANALOG DEVICES			
TITLE:				EVAL-AD7606-6SDZ			
CODE:	SIZE:	DRAWING NO:		REV:			
<Code>	A3	EVAL-AD7606-6SDZ		A			
SCALE: NTS				SHEET: 3 of 5			

DRAWN: Rob Finnerty	DATED: 23/03/15
CHECKED: <Checked By>	DATED: <Checked Date>
QUALITY CONTROL: <QC By>	DATED: <QC Date>
RELEASED: <Released By>	DATED: <Release Date>

6

5

4

3

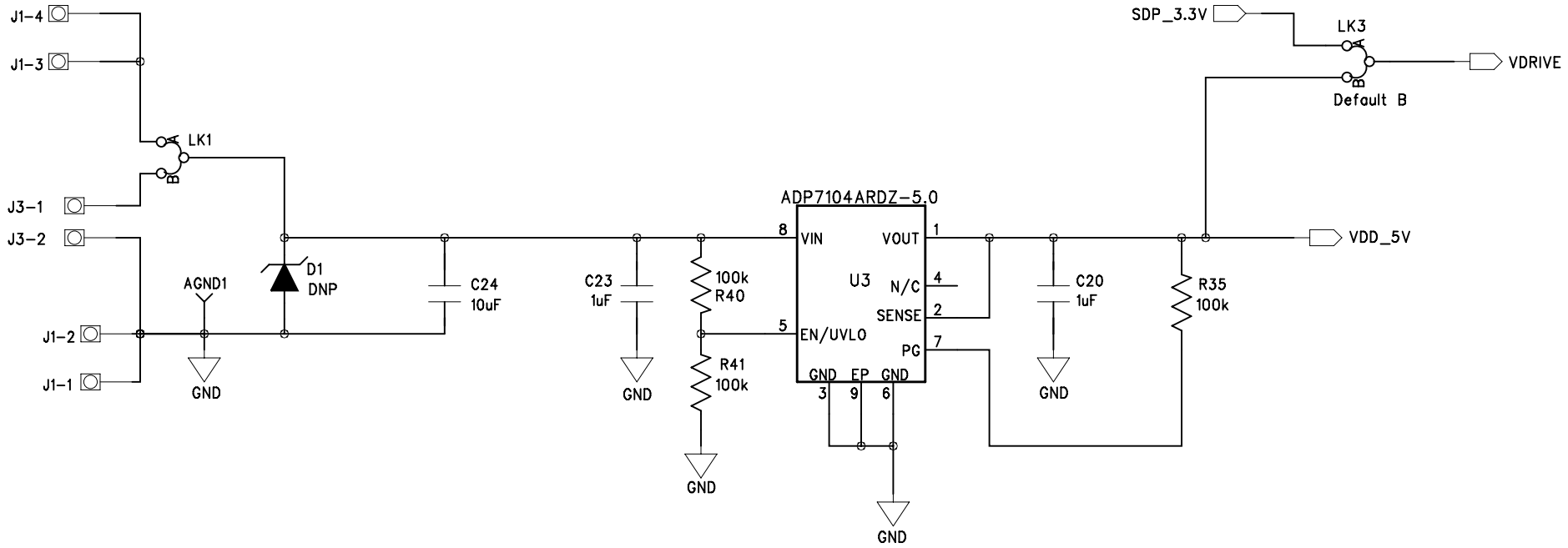
2

1

REVISION RECORD			
LTR	ECO NO:	APPROVED:	DATE:

DC Power Connectors 2mm SMT POWER JACK

2 Pin Terminal Block (5mm Pitch)



COMPANY:				ANALOG DEVICES			
TITLE:				EVAL-AD7606-6SDZ			
DRAWN: Rob Finnerty	DATED: 23/03/15	CODE:	SIZE:	DRAWING NO:	REV:		
CHECKED: <Checked By>	DATED: <Checked Date>	<Code>	A3	EVAL-AD7606-6SDZ	A		
QUALITY CONTROL: <QC By>	DATED: <QC Date>	SCALE: NTS		SHEET: 4 OF 5			
RELEASED: <Released By>	DATED: <Release Date>						

D

D

C

C

B

B

A

A

6

5

4

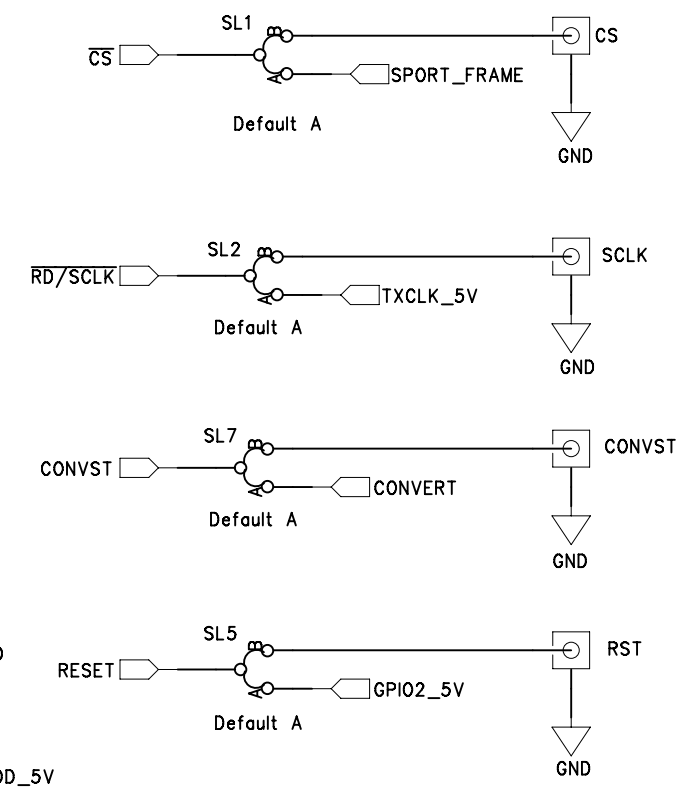
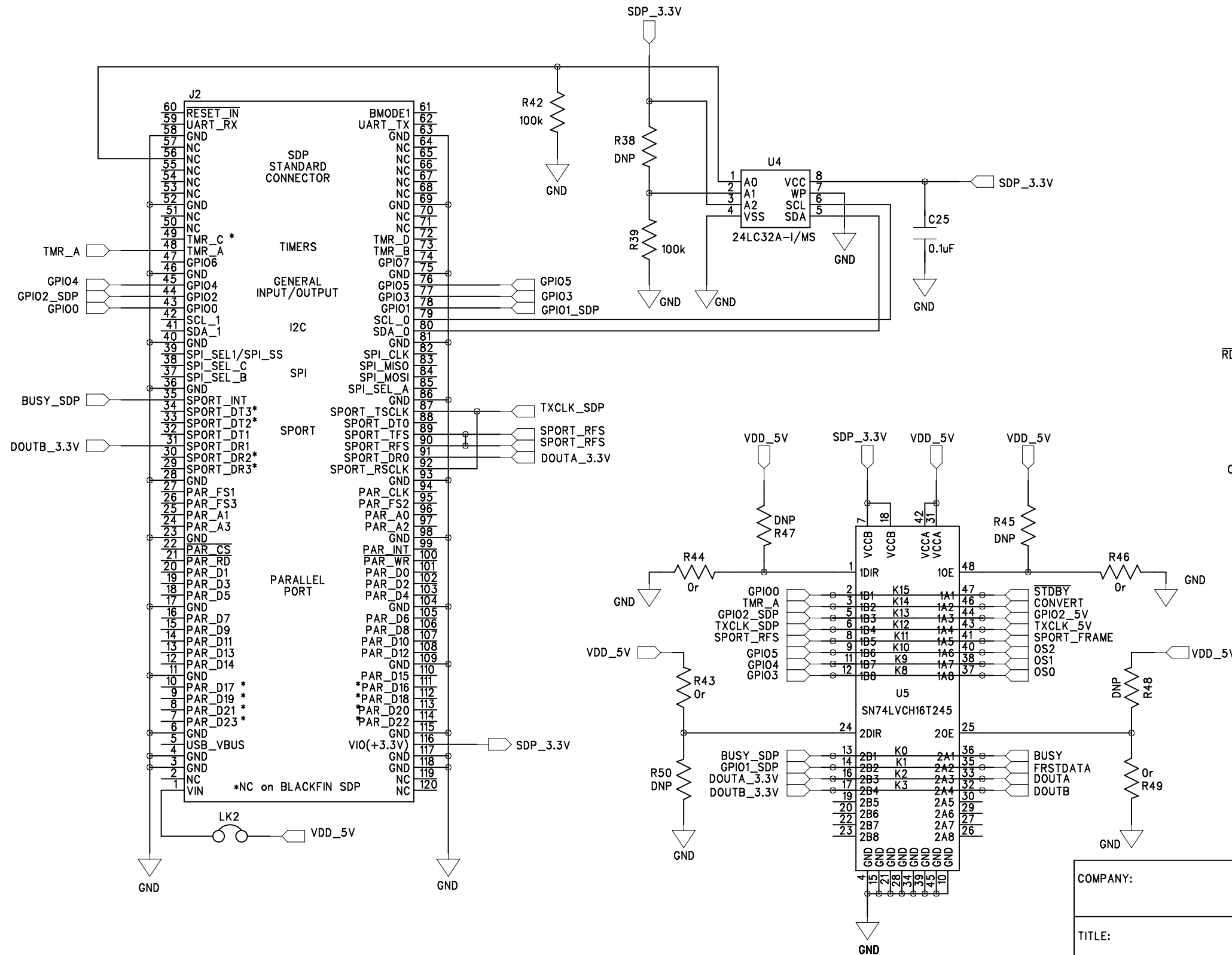
3

2

1

Board ID EEPROM (24LC32) must be on I2C bus 0,

REVISION RECORD			
LTR	ECO NO:	APPROVED:	DATE:



COMPANY:				ANALOG DEVICES			
TITLE:				EVAL-AD7606-6SDZ			
DRAWN:	DATED:	CODE:	SIZE:	DRAWING NO:	REV:		
Rob Finnerty	23/03/15	<Code>	A3	EVAL-AD7606-6SDZ	A		
CHECKED:	DATED:						
<Checked By>	<Checked Date>						
QUALITY CONTROL:	DATED:						
<QC By>	<QC Date>						
RELEASED:	DATED:						
<Released By>	<Release Date>						

DRAWN:	DATED:
Rob Finnerty	23/03/15
CHECKED:	DATED:
<Checked By>	<Checked Date>
QUALITY CONTROL:	DATED:
<QC By>	<QC Date>
RELEASED:	DATED:
<Released By>	<Release Date>