

Blackfin® USB-LAN EZ-Extender® Manual

Revision 2.0, April 2006

Part Number
82-000845-01

Analog Devices, Inc.
One Technology Way
Norwood, Mass. 02062-9106



Copyright Information

©2006 Analog Devices, Inc., ALL RIGHTS RESERVED. This document may not be reproduced in any form without prior, express written consent from Analog Devices, Inc.

Printed in the USA.

Limited Warranty

The USB-LAN EZ-Extender is warranted against defects in materials and workmanship for a period of one year from the date of purchase from Analog Devices or from an authorized dealer.

Disclaimer

Analog Devices, Inc. reserves the right to change this product without prior notice. Information furnished by Analog Devices is believed to be accurate and reliable. However, no responsibility is assumed by Analog Devices for its use; nor for any infringement of patents or other rights of third parties which may result from its use. No license is granted by implication or otherwise under the patent rights of Analog Devices, Inc.

Trademark and Service Mark Notice

The Analog Devices logo, Blackfin, VisualDSP++, EZ-KIT Lite, and EZ-Extender are registered trademarks of Analog Devices, Inc.

All other brand and product names are trademarks or service marks of their respective owners.

Regulatory Compliance

The Blackfin USB-LAN EZ-Extender has been certified to comply with the essential requirements of the European EMC directive 89/336/EEC (inclusive 93/68/EEC) and, therefore, carries the “CE” mark.

The Blackfin USB-LAN EZ-Extender had been appended to Analog Devices Development Tools Technical Construction File referenced “DSPTOOLS1” dated December 21, 1997 and was awarded CE Certification by an appointed European Competent Body and is on file.



The EZ-KIT Lite evaluation system contains ESD (electrostatic discharge) sensitive devices. Electrostatic charges readily accumulate on the human body and equipment and can discharge without detection. Permanent damage may occur on devices subjected to high-energy discharges. Proper ESD precautions are recommended to avoid performance degradation or loss of functionality. Store unused EZ-KIT Lite boards in the protective shipping package.



CONTENTS

PREFACE

| | |
|-------------------------------------|------|
| Product Overview | x |
| Purpose of This Manual | xi |
| Intended Audience | xi |
| Manual Contents | xii |
| What's New in This Manual | xii |
| Technical or Customer Support | xiii |
| Supported Products | xiii |
| Product Information | xiv |
| Related Documents | xiv |
| Notation Conventions | xvi |

USB-LAN EZ-EXTENDER INTERFACES

| | |
|--|-----|
| USB-LAN EZ-Extender Setup | 1-1 |
| USB Software | 1-2 |
| Ethernet Software | 1-3 |
| USB 2.0 Interface | 1-3 |
| Ethernet Interface | 1-4 |
| Optional ADSP-BF537 EZ-KIT Lite Interfaces | 1-5 |

CONTENTS

| | |
|---------------------------|-----|
| Power-Over-Ethernet | 1-5 |
| MII Interface | 1-6 |

USB-LAN EZ-EXTENDER HARDWARE REFERENCE

| | |
|---|-----|
| System Architecture | 2-2 |
| Jumper Setting | 2-3 |
| Power Select Jumper (JP1) | 2-3 |
| LAN Power Jumper (JP2) | 2-5 |
| Link Jumper (JP3) | 2-5 |
| Switch Settings | 2-6 |
| ADDR Enable Switch (SW1.1) | 2-6 |
| FLAGS Enable Switch (SW1.2) | 2-7 |
| USB IRQ Enable Switch (SW1.3) | 2-7 |
| Test Mode Enable Switch (SW1.4) | 2-8 |
| Serial ROM Enable Switch (SW2.1) | 2-8 |
| IOS[2:0] Switch (SW2.2, SW2.3, SW2.4) | 2-9 |

USB-LAN EZ-EXTENDER BILL OF MATERIALS

USB-LAN EZ-EXTENDER SCHEMATIC

| | |
|---------------------------------|-----|
| Title Page | B-1 |
| Expansion Interface | B-2 |
| Bus Switches | B-3 |
| USB | B-4 |
| LAN | B-5 |
| PoV, MII, Power Selection | B-6 |

INDEX

PREFACE

Thank you for purchasing the Blackfin[®] USB-LAN EZ-Extender[®], Analog Devices, Inc. extension board to the EZ-KIT Lite[®] evaluation system for ADSP-BF533, ADSP-BF537, and ADSP-BF561 Blackfin processors.

The Blackfin processors are embedded processors that support a Media Instruction Set Computing (MISC) architecture. This architecture is the natural merging of RISC, media functions, and digital signal processing characteristics towards delivering signal processing performance in a microprocessor-like environment.

The EZ-KIT Lite and USB-LAN EZ-Extender are designed to be used in conjunction with the VisualDSP++[®] development environment. VisualDSP++ offers a powerful programming tool with new flexibility that significantly decreases the time required to port software code to a processor, reducing time-to-market.

To learn more about Analog Devices development software, go to <http://www.analog.com/processors/tools/>.

Product Overview

The Blackfin USB-LAN EZ-Extender is a separately sold extension board that plugs onto the expansion interface of the ADSP-BF533, ADSP-BF537, or ADSP-BF561 EZ-KIT Lite evaluation system. The extension board aids the design and prototyping phases of ADSP-BF533, ADSP-BF537, or ADSP-BF561 processor targeted applications.

The board extends the capabilities of the evaluation system by providing a connection between the asynchronous memory bus of the Blackfin processor (asynchronous memory bank 3) and either a USB 2.0 or a 10/100 Mbps Ethernet device.

The following is a list of the Blackfin USB-LAN EZ-Extender interfaces.

- USB 2.0 interface
 - ✓ PLX's Technology Netchip 2272 device
 - ✓ USB driver and application code
 - ✓ USB logo certified
- Ethernet interface
 - ✓ SMSC's LAN 91C111 device supported on the ADSP-BF533 EZ-KIT and ADSP-BF561 EZ-KIT Lites
 - ✓ IEEE802.3.AF compliant Power-Over-Ethernet (PoE) application on the ADSP-BF537 EZ-KIT Lite
 - ✓ SMSC's MII connector to evaluate different PHYs with the ADSP-BF537 EZ-KIT Lite
 - ✓ Ethernet stack and application code
- No power supply required
 - ✓ Derives power from EZ-KIT Lite
- CE certified

- Dimensions
 - ✓ 3.13 in (H) x 3.6 in (W)

Before using any of the interfaces, follow the setup procedure in [“USB-LAN EZ-Extender Setup” on page 1-1](#).

Example programs are available to demonstrate the capabilities of the Blackfin USB-LAN EZ-Extender board.

Purpose of This Manual

The *Blackfin USB-LAN EZ-Extender Manual* describes the operation and configuration of the components on the extension board. A schematic and a bill of materials are provided as a reference for future Blackfin processor board designs.

Intended Audience

This manual is a user’s guide and reference to the Blackfin USB-LAN EZ-Extender. Programmers who are familiar with the Analog Devices Blackfin processor architecture, operation, and development tools are the primary audience for this manual.

Programmers who are unfamiliar with VisualDSP++ or EZ-KIT Lite evaluation software should refer to the *ADSP-BF533*, *ADSP-BF537*, or *ADSP-BF561 Evaluation System Manual*, VisualDSP++ online Help, and user’s or getting started guides. For the locations of these documents, refer to [“Related Documents”](#).

Manual Contents

The manual consists of:

- Chapter 1, “[USB-LAN EZ-Extender Interfaces](#)” on [page 1-1](#)
Provides basic board information.
- Chapter 2, “[USB-LAN EZ-Extender Hardware Reference](#)” on [page 2-1](#)
Provides information on the hardware aspects of the board.
- Appendix A, “[USB-LAN EZ-Extender Bill Of Materials](#)” on [page A-1](#)
Provides a list of components used to manufacture the EZ-Extender board.
- Appendix B, “[USB-LAN EZ-Extender Schematic](#)” on [page B-1](#)
Provides the resources to allow EZ-KIT Lite board-level debugging or to use as a reference design.



Appendix B now is part of the online Help. The PDF version of the *Blackfin USB-LAN EZ-Extender Manual* is located in the Docs\EZ-KIT Lite Manuals folder on the installation CD. Alternatively, the book can be found on the Analog Devices Web site, www.analog.com/processors.

What's New in This Manual

This edition of the *Blackfin USB-LAN EZ-Extender Manual* has been updated for the latest revision of VisualDSP++.

Technical or Customer Support

You can reach Analog Devices, Inc. Customer Support in the following ways:

- Visit the Embedded Processing and DSP products Web site at <http://www.analog.com/processors/technicalSupport>
- E-mail tools questions to processor.tools.support@analog.com
- E-mail processor questions to processor.support@analog.com (World wide support)
processor.europe@analog.com (Europe support)
processor.china@analog.com (China support)
- Phone questions to 1-800-ANALOGD
- Contact your Analog Devices, Inc. local sales office or authorized distributor
- Send questions by mail to:
Analog Devices, Inc.
One Technology Way
P.O. Box 9106
Norwood, MA 02062-9106
USA

Supported Products

The Blackfin USB-LAN EZ-Extender is designed as an extender board to the ADSP-BF533, ADSP-BF537, and ADSP-BF561 EZ-KIT Lite evaluation systems.

Product Information

You can obtain product information from the Analog Devices Web site, from the product CD-ROM, or from the printed publications (manuals).

Analog Devices is online at www.analog.com. Our Web site provides information about a broad range of products—analogue integrated circuits, amplifiers, converters, and digital signal processors.

Related Documents

For information on product related development software, see the following publications.

Table 1. Related Processor Publications

| Title | Description |
|---|---|
| <ul style="list-style-type: none">• <i>ADSP-BF533 Embedded Processor Datasheet</i>• <i>ADSP-BF536/ADSP-BF537 Embedded Processor Datasheet</i>• <i>ASP-BF561 Blackfin Embedded Symmetric Multi-Processor Datasheet</i> | General functional description, pinout, and timing |
| <ul style="list-style-type: none">• <i>ADSP-BF533 Blackfin Processor Hardware Reference</i>• <i>ADSP-BF537 Blackfin Processor Hardware Reference</i>• <i>ASP-BF561 Blackfin Processor Hardware Reference</i> | Description of internal processor architecture and all register functions |
| <i>Blackfin Processor Instruction Set Reference</i> | Description of all allowed processor assembly instructions |

All documentation is available online. Most documentation is available in printed form.

Table 2. Related VisualDSP++ Publications




| Title | Description |
|--|--|
| <ul style="list-style-type: none"> • <i>ADSP-BF533 EZ-KIT Lite Evaluation System Manual</i> • <i>ADSP-BF537 EZ-KIT Lite Evaluation System Manual</i> • <i>ADSP-BF561 EZ-KIT Lite Evaluation System Manual</i> | Description of the EZ-KIT Lite features and usage. Note: For the ADSP-BF537 EZ-KIT Lite, there is additional <i>Getting Started with ADSP-BF537 EZ-KIT Lite</i> . |
| <i>VisualDSP++ User's Guide</i> | Description of VisualDSP++ features and usage |
| <i>VisualDSP++ Assembler and Preprocessor Manual</i> | Description of the assembler function and commands |
| <i>VisualDSP++ C/C++ Compiler and Library Manual for Blackfin Processors</i> | Description of the compiler function and commands for Blackfin processors |
| <i>VisualDSP++ Linker and Utilities Manual</i> | Description of the linker function and commands |
| <i>VisualDSP++ Loader and Utilities Manual</i> | Description of the loader function and commands |


Visit the Technical Library Web site to access all processor and tools manuals and data sheets:

<http://www.analog.com/processors/resources/technicalLibrary>.

Notation Conventions

Text conventions used in this manual are identified and described as follows.

| Example | Description |
|---|--|
| Close command (File menu) | Titles in reference sections indicate the location of an item within the VisualDSP++ environment's menu system (for example, the Close command appears on the File menu). |
| {this that} | Alternative required items in syntax descriptions appear within curly brackets and separated by vertical bars; read the example as <i>this</i> or <i>that</i> . One or the other is required. |
| [this that] | Optional items in syntax descriptions appear within brackets and separated by vertical bars; read the example as an optional <i>this</i> or <i>that</i> . |
| [this,...] | Optional item lists in syntax descriptions appear within brackets delimited by commas and terminated with an ellipse; read the example as an optional comma-separated list of <i>this</i> . |
| .SECTION | Commands, directives, keywords, and feature names are in text with letter gothic font. |
| <i>filename</i> | Non-keyword placeholders appear in text with italic style format. |
|  | Note: For correct operation, ... A Note provides supplementary information on a related topic. In the online version of this book, the word Note appears instead of this symbol. |
|  | Caution: Incorrect device operation may result if ... Caution: Device damage may result if ... A Caution identifies conditions or inappropriate usage of the product that could lead to undesirable results or product damage. In the online version of this book, the word Caution appears instead of this symbol. |
|  | Warning: Injury to device users may result if ... A Warning identifies conditions or inappropriate usage of the product that could lead to conditions that are potentially hazardous for the devices users. In the online version of this book, the word Warning appears instead of this symbol. |

 Additional conventions, which apply only to specific chapters, may appear throughout this document.

Notation Conventions

1 USB-LAN EZ-EXTENDER INTERFACES

This chapter provides the setup procedures for both the Blackfin USB-LAN EZ-Extender and EZ-KIT Lite (ADSP-BF533, ADSP-BF537 or ADSP-BF561) and describes each of the interfaces the extender supports.

The information is presented in the following order.

- [“USB-LAN EZ-Extender Setup” on page 1-1](#)
- [“USB 2.0 Interface” on page 1-3](#)
- [“Ethernet Interface” on page 1-4](#)
- [“Optional ADSP-BF537 EZ-KIT Lite Interfaces” on page 1-5](#)

USB-LAN EZ-Extender Setup

It is very important to set up all of the components of the system containing the USB-LAN EZ-Extender before applying power to that system.

The following procedure is recommended for the correct setup.

Power your system when these steps are completed:

1. Read the applicable design interface section in this chapter—the text provides an overview of the capabilities of the interface.
2. Read [“System Architecture” on page 2-2](#) to understand the physical connections of the extension board. For detailed information, refer to [“USB-LAN EZ-Extender Schematic” on page B-1](#).

USB-LAN EZ-Extender Setup

3. Remove any rubber feet that may be attached to the EZ-KIT Lite. In place of these rubber feet, install the four nylon feet and screws provided with the USB-LAN EZ-Extender. Install the nylon feet in the mounting holes of the EZ-KIT Lite's printed circuit board (PCB). Flip the EZ-KIT Lite upside down so that the three expansion headers (J1-3) are facing up.
4. Set the switches and jumpers on the USB-LAN EZ-Extender board. Use the block diagram in [Figure 2-1 on page 2-2](#) in conjunction with "[Jumper Setting](#)" on [page 2-3](#) and "[Switch Settings](#)" on [page 2-6](#).
5. Set the switches and jumpers on EZ-KIT Lite board. If not already, familiarize yourself with the documentation and schematics of the EZ-KIT Lite (see "[Related Documents](#)"). Compare the expansion interface signals of the USB-LAN EZ-Extender board with the signals of the EZ-KIT Lite board to ensure there is no contention. For example, it may be necessary to disable other devices connected to the expansion interface of the processor and disable the push buttons on the EZ-KIT Lite.
6. Install the USB-LAN EZ-Extender on the EZ-KIT Lite via the three-connector expansion interface.
7. Configure any other interfacing boards, for example, another EZ-Extender board.

USB Software

For information on the USB software (host-side and device-side), refer to the `USB Software Readme.txt` file located in the `...\\VisualDSP++ install path\\Blackfin\\Examples\\USB-LAN EZ-EXTENDER\\USB` directory.

Ethernet Software

For information on the LAN software, refer to the LAN Software Readme.txt file located in the `...\VisualDSP++ install path\Blackfin\EZ-KITs\USB-LAN EZ-EXTENDER\LAN` directory.

USB 2.0 Interface

The USB-LAN EZ-Extender allows you to connect a USB 2.0 chip to a Blackfin processor without any other programmable logic required. PLX's (formerly Netchip) Net2272 device ties directly to the asynchronous memory bank 3 of the Blackfin processor. You can read from and write to the USB 2.0 controller by directly addressing the named memory bank.

You can reset the Net2272 processor by asserting `LOW` these flag pins: PF11 on the ADSP-BF533 processor, PF6 on the ADSP-BF537 processor, and PF11 on the ADSP-BF561 processor.

The flag pins can be used for push buttons or LEDs on the respective EZ-KIT Lite; consequently, the user must make the proper changes to that EZ-KIT Lite. The switch settings required for each of the respective EZ-KIT Lites are described in the `USB Software Readme.txt` file in the `...\Blackfin\Examples\USB-LAN EZ-EXTENDER\USB` subdirectory of the VisualDSP++ installation directory. The readme file describes the USB software, source code, drivers, and explains how to run a USB-based application.



For correct switch settings, refer to the schematics drawing of the respective device.

Ethernet Interface

The USB IRQ line of the extender connects to PF10 on the ADSP-BF533 and ADSP-BF561 processors, PF7 on the ADSP-BF537 processors. These flag pins may be used for push buttons or LEDs on the respective EZ-KIT Lites; consequently, the user must make the proper changes to that EZ-KIT Lite.

When writing to and reading from the USB device using the EZ-KIT Lites, use memory addresses from [Table 1-1](#).

Table 1-1. USB Device Memory

| Device Connects to | Starting Address | Ending Address |
|------------------------|------------------|----------------|
| ADSP-BF533 EZ-KIT Lite | 0x2030 0000 | 0x2030 007F |
| ADSP-BF537 EZ-KIT Lite | 0x2030 0000 | 0x2030 007F |
| ADSP-BF561 EZ-KIT Lite | 0x2C00 0000 | 0x2C00 007F |


Ethernet Interface

The USB-LAN EZ-Extender allows you to connect a 10/100 Mbps Ethernet chip to a Blackfin processor. SMSC's LAN91C111 device ties directly to the asynchronous memory bank 3 of the Blackfin processor. You can read from and write to the Ethernet controller by directly addressing the named memory bank.

You can reset the Ethernet processor by asserting the board reset on the ADSP-BF533 and ADSP-BF561 EZ-KIT Lites. The reset connects to a supervisory reset circuit managed by the Analog Devices ADM708 IC device. ADM708 also asserts a reset to the Ethernet chip at power-up.

The Ethernet IRQ line connects to the PF9 flag pin of the ADSP-BF533 processor and PF9 of the ADSP-BF561 processor. The flag pins may be used for push buttons or LEDs on the respective EZ-KIT Lite; consequently, the user must remember to make the proper changes to that EZ-KIT Lite. The switch settings required for each of the respective

EZ-KIT Lites are described in the LAN Software Readme.txt file in the ...\Blackfin\Examples\USB-LAN EZ-EXTENDER\LAN subdirectory of the VisualDSP++ installation directory. The readme file describes the LAN software, source code, drivers, and explains how to run an Ethernet application.

 For correct switch settings, refer to the schematics drawing of the respective device.

When writing to and reading from the Ethernet device using the EZ-KIT Lites, use memory ranges from [Table 1-2](#).

Table 1-2. LAN Device Memory

| Device Connects to | Starting Address | Ending Address |
|------------------------|------------------|----------------|
| ADSP-BF533 EZ-KIT Lite | 0x2031 0000 | 0x2031 FFFF |
| ADSP-BF561 EZ-KIT Lite | 0x2C01 0000 | 0x2C01 FFFF |

Optional ADSP-BF537 EZ-KIT Lite Interfaces

Optional ADSP-BF537 EZ-KIT Lite interfaces are:

- “Power-Over-Ethernet”
- “MII Interface”

Power-Over-Ethernet

The Blackfin USB-LAN EZ-Extender, when used in conjunction with the ADSP-BF537 EZ-KIT Lite, allows a user to power both the EZ-KIT Lite and the extender via a 10/100 Mbps switch or a Midspan device that supports IEEE802.3.AF.

Optional ADSP-BF537 EZ-KIT Lite Interfaces

The EZ-KIT Lite and extender must not be powered via the 7.5V supply when in Power-over-Ethernet (PoE) mode. A user can make the appropriate jumper changes to the EZ-KIT Lite and extender and then connect the kit to the extender to power both boards via the switch or Midspan device. The user must use a switch or Midspan device that supports power via the data pairs. If a user uses a Midspan device that powers only over the spare pins, then the PoE circuitry will not work.

[Table 1-3](#) shows a recommended Midspan device that supports both power over the spare pins and power over the data pairs.

Table 1-3. Midspan Device

| Power Sourcing Equipment | Manufacturer | Part Number |
|--------------------------|--------------|-------------|
| Midspan device | PowerDsine 6 | PD-8006/AC |

Use the Ethernet connector on the EZ-KIT Lite for the PoE application. Power-over-Ethernet does not work properly if the Ethernet connector is used on the extender board. When in PoE mode, the blinking LEDs (LED1-6] confirm successful power-up. Since PoE is intended as a simple demonstration of the power circuitry, you are not able to bring up a VisualDSP ++ session while in the PoE mode.

Refer to “[Power Select Jumper \(JP1\)](#)” on [page 2-3](#) for the extender’s PoE settings. Refer to the *ADSP-BF537 EZ-KIT Lite Evaluation System Manual* for the EZ-KIT Lite’s PoE settings.

MII Interface

The Media Independent Interface (MII) allows you to evaluate different PHY devices with the ADSP-BF537 EZ-KIT Lite. A separately purchased PHY evaluation board connects directly to the USB-LAN EZ-Extender. You also need to purchase the J2 connector and solder it to be able to connect the two boards together. The part numbers of the SMSC’s evaluation boards and J2 connector are shown in [Table 1-4](#).

Table 1-4. PHY Devices

| Part Description | Manufacturer | Manufacturer Part # |
|----------------------|----------------------|---------------------|
| J2 20 x 2 connector | AMP/TYCO ELECTRONICS | 787170-4 |
| MII evaluation board | SMSC | EVB185 |
| MII evaluation board | SMSC | EVB183 |

Optional ADSP-BF537 EZ-KIT Lite Interfaces

2 USB-LAN EZ-EXTENDER HARDWARE REFERENCE

This chapter describes the hardware design of the USB-LAN EZ-Extender.

The following topics are covered.

- [“System Architecture” on page 2-2](#)
Describes the configuration of the extension board and explains how the board components interface with the processor and EZ-KIT Lite.
- [“Jumper Setting” on page 2-3](#)
Describes the function of the configuration jumpers JP1-3.
- [“Switch Settings” on page 2-6](#)
Describes the function of the switches SW1.1-1.3.

System Architecture

A block diagram of the Blackfin USB-LAN EZ-Extender is shown in Figure 2-1.

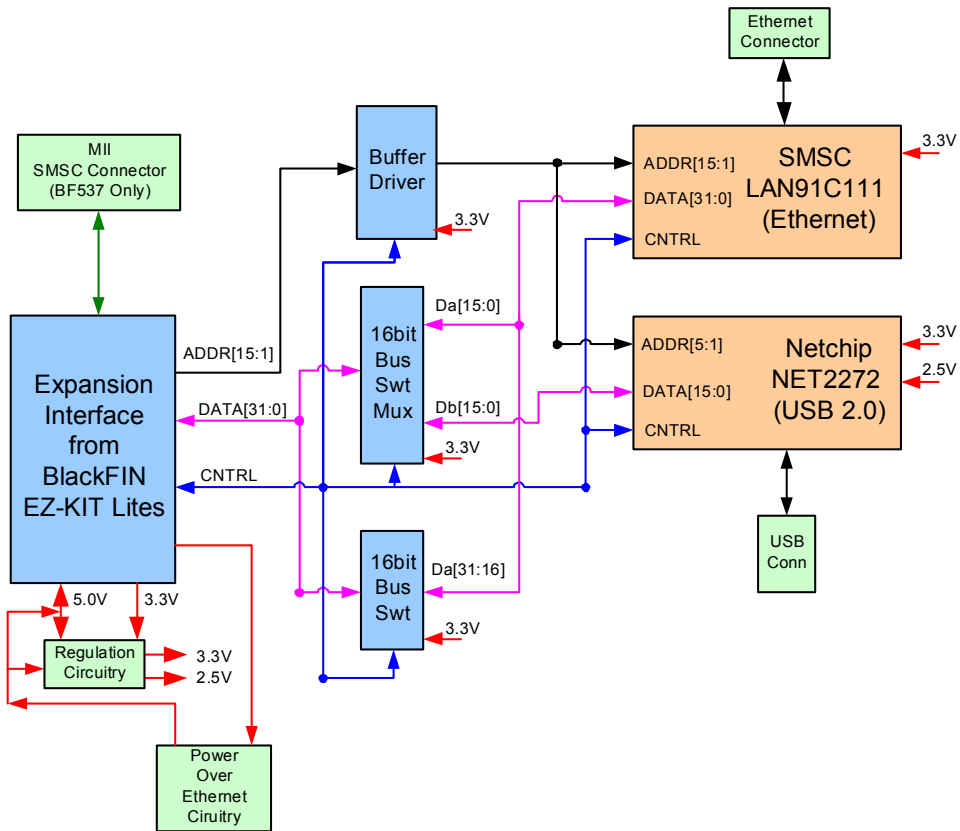


Figure 2-1. Block Diagram

Jumper Setting

Before using the Blackfin USB-LAN EZ-Extender, follow the steps in [“USB-LAN EZ-Extender Setup”](#) on page 1-1.

Figure 2-2 shows the locations of all jumper headers. A two-pin jumper can be placed on the respective jumper header for different functionality. The following sections describe all possible jumper settings and associated functionality.

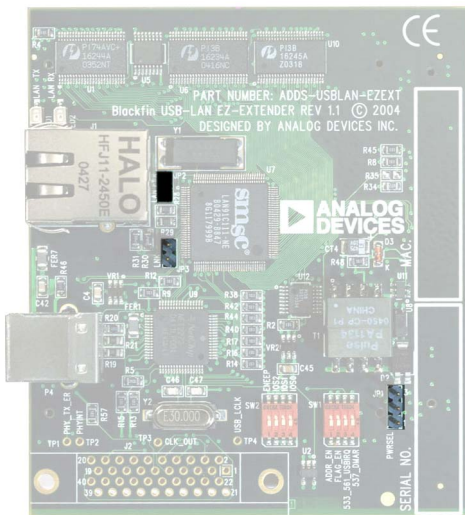


Figure 2-2. Jumper Locations

Power Select Jumper (JP1)

The power select jumper, JP1, by default, must have no jumpers on any of its pins. Jumpers can be used only when the extender is plugged into an ADSP-BF537 EZ-KIT Lite.

Jumper Setting

Table 2-1. JP1 Settings

| Source of 5V Power | JP1 Setting |
|----------------------------|----------------------|
| EZ-KIT Lite power | No jumpers (default) |
| USB test mode (do not use) | JP1.1 and JP1.2 |
| Power-over-Ethernet | JP1.2 and JP1.3 |

When using an ADSP-BF533 or ADSP-BF561 EZ-KIT Lite, the user must not place any jumpers on JP1. Placing a jumper on JP1 can damage the extender card and/or the EZ-KIT Lite. The user must power the ADSP-BF533/ADSP-BF561 EZ-KIT Lite and USB-LAN EZ-Extender with the 7.5V power supply provided with the EZ-KIT Lite.

When using an ADSP-BF537 EZ-KIT Lite without the Power-over-Ethernet feature, the user must not place any jumpers on JP1. The user must power both the EZ-KIT Lite and extender with the 7.5V power supply provided with the EZ-KIT Lite.

When using an ADSP-BF537 EZ-KIT Lite with the Power-over-Ethernet, the user must place a jumper between JP1 pin 2 and JP1 pin 3. The user must power both the EZ-KIT Lite and USB-LAN EZ-Extender with the CAT5E Ethernet cable, which provides power over the signal pairs. The Ethernet cable must be plugged into the Ethernet connector of the ADSP-BF537 EZ-KIT Lite, but not the USB-LAN EZ-Extender. The 7.5V power supply provided with the EZ-KIT Lite should not be used.

For an overview of the Power-over-Ethernet interface, refer to [“Power-Over-Ethernet” on page 1-5](#).

LAN Power Jumper (JP2)

The LAN power jumper, JP2, is used to power the SMSC's 91C111 device with 3.3V. By default, and, in general, the jumper is plugged in. This jumper is provided for user flexibility. The user must make changes to the JP2 jumper only when no power is applied to the USB-LAN EZ-Extender and/or the EZ-KIT Lite.

Table 2-2. JP2 Settings

| Functionality | JP2 Setting |
|---------------------------|---------------------------|
| No power to the LAN91C111 | No jumper |
| All other cases | JP2.1 and JP2.2 (default) |

Link Jumper (JP3)

The link jumper, JP3, of the USB-LAN EZ-Extender directly connects to the link status pin of the SMSC's 91C111 device. The default setting is to keep the link jumper unpopulated. When the jumper is populated, it sends a logic 0 or LOW to the input port used to convey the LINK status (EPHSR bit14). For more information about populating the jumper, refer to the SMSC LAN91C111 data sheet.

Table 2-3. JP3 Settings

| Functionality | JP3 Setting |
|-------------------------------------|---------------------|
| Logic low on 91C111 link status pin | JP3.1 and JP3.2 |
| All other cases | No jumper (default) |

Switch Settings

Before using the Blackfin USB-LAN EZ-Extender follow the steps in “USB-LAN EZ-Extender Setup” on page 1-1.

Figure 2-3 shows the locations of all switches. The following sections describe all possible switch settings and associated functionality.

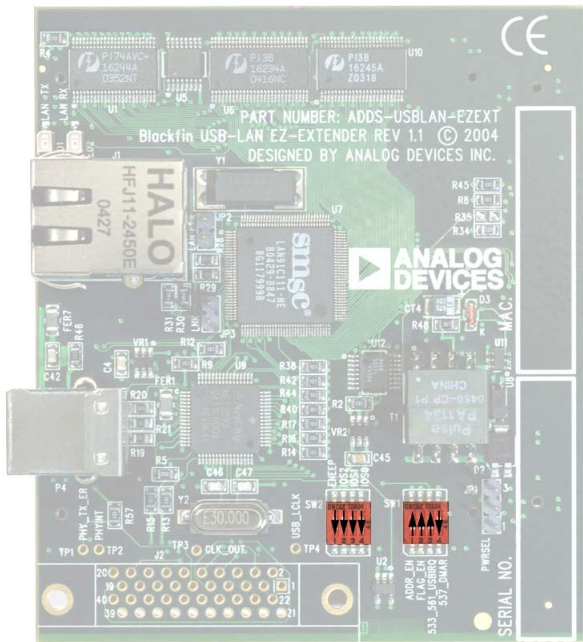


Figure 2-3. Switch Locations

ADDR Enable Switch (SW1.1)

The address enable switch, SW1.1, is used to control the output of the Blackfin address bus buffer. By default, the switch is set to the ON position. If in the OFF position, the user cannot communicate to the USB or the

Ethernet processor. The address enable switch adds flexibility to the processors because you can turn the switch OFF when capacitive loading is an issue present with other peripherals on the EZ-KIT Lite.

Table 2-4. SW1.1 Settings

| Functionality | SW1.1 Setting |
|---------------------------------------|---------------|
| Blackfin address buffer (U1) enabled | ON (default) |
| Blackfin address buffer (U1) disabled | OFF |

FLAGS Enable Switch (SW1.2)

The flags enable switch, SW1.2, is used to control the output of the Blackfin Flags multiplexer. By default, the SW1.2 switch is set to the ON position. If is in the OFF position, the user cannot communicate to the USB or Ethernet processor. The flags enable switch adds flexibility to the extender—when the switch is OFF, the flags can be used for other peripherals of the EZ-KIT Lite.

Table 2-5. SW1.2 Settings

| Functionality | SW1.2 Setting |
|-------------------------------|---------------|
| FLAGS (U12) enabled | ON (default) |
| Blackfin FLAGS (U12) disabled | OFF |

USB IRQ Enable Switch (SW1.3)

The USB IRQ enable switch, SW1.3, is used to control the connection between the Netchip 2272 IRQ line with the respective flag pin on the Blackfin processor. The switch connects the USB_IRQ line with PF10 on the ADSP-BF533 and ADSP-BF561 processors, and PF7 on the ADSP-BF537 processor. By default, the USB IRQ enable switch is in the ON position. When in the OFF position, communication with the USB

Switch Settings

processor cannot be established. The SW1.3 adds flexibility to the extender—when the switch is OFF, the Flag can be used for other peripherals of the EZ-KIT Lite.

Table 2-6. SW1.3 Settings

| Functionality | SW1.3 Setting |
|------------------|---------------|
| USB IRQ enabled | ON (default) |
| USB IRQ disabled | OFF |

Test Mode Enable Switch (SW1.4)

The test mode enable switch, SW1.4, is an internal test pin and should not be used. This switch, by default, is set to the OFF position.

Table 2-7. SW1.4 Settings

| Functionality | SW1.4 Setting |
|--------------------|---------------|
| Test mode enabled | ON |
| Test mode disabled | OFF (default) |

Serial ROM Enable Switch (SW2.1)

The serial ROM enable switch, SW2.1, is used to control the connection between the LAN91C111 Ethernet processor with its serial ROM (U3). When the switch is disabled, the Ethernet processor loads its Media Access Control (MAC) address from the serial ROM. The SW2.1 switch, by default, is set to the OFF position. If the switch is in the ON position, you are not able to communicate with the Ethernet application code provided. The switch adds flexibility to the extender—you can modify the application code and generate another MAC address when the switch is ON.

Table 2-8. SW2.1 Settings

| Functionality | SW2.1 Setting |
|---------------------|---------------|
| Serial ROM disabled | ON |
| Serial ROM enabled | OFF (default) |

IOS[2:0] Switch (SW2.2, SW2.3, SW2.4)

The `IOS[2:0]` bits on the USB-LAN EZ-Extender are directly connected to the `IOS[2:0]` pins of the LAN91C111 Ethernet processor. These switches, by default, are set to the `OFF` positions. The pins are used in conjunction with the “[Serial ROM Enable Switch \(SW2.1\)](#)” to select between predefined EEPROM configurations. For more information about the switches, refer to the SMSC LAN91C111 data sheet.

Switch Settings

A USB-LAN EZ-EXTENDER BILL OF MATERIALS

The bill of materials corresponds to “[USB-LAN EZ-Extender Schematic](#)” on [page B-1](#). Please check the latest schematic on the Analog Devices Web site:

<http://www.analog.com/Processors/Processors/DevelopmentTools/technicalLibrary/manuals/DevToolsIndex.html#Evaluation%20Kit%20Manuals>.

| Ref. | Qty. | Description | Reference Designator | Manufacturer | Part Number |
|------|------|--------------------------|----------------------|-----------------|----------------------------|
| 1 | 1 | 25MHZOSC005 | Y1 | EPSON | MA-505 25.0000M-C0:ROHS |
| 2 | 1 | SN74AHC1G00 SOT23-5 | U2 | TI | SN74AHC1G00DBVR |
| 3 | 1 | PI74AVC+16244 TSSOP48 | U1 | PERICOM SEMI | PI74AVC+16244AE |
| 4 | 1 | 93LC46BSOIC8 | U3 | MICROCHIP | 93LC46B/SNG |
| 5 | 1 | LAN91C111 TQFP128 | U7 | SMSC | LAN91C111-NU |
| 6 | 1 | NET2272TQFP64 | U9 | NET CHIP | NET2272REV1A-LF |
| 7 | 1 | PI3B16234 TSSOP56 | U6 | PERICOM SEMI | PI3B16234AE |
| 8 | 1 | PI3B16245 TSSOP48 | U10 | PERICOM SEMI | PI3B16245AE |
| 9 | 1 | PI3B3257 TSSOP16 | U12 | PERICOM SEMI | PI3B3257LE |


| Ref. | Qty. | Description | Reference Designator | Manufacturer | Part Number |
|------|------|---------------------------|------------------------------------|--------------------|----------------------|
| 10 | 1 | 74LVC139 TSSOP16 | U5 | PHILIPS | 74LVC139PW |
| 11 | 1 | 30MHZOSC010 | Y2 | ECLIPTEK | E2SAA10-30.000M |
| 12 | 1 | PA1134ICS005 | T1 | PULSE | PA1134NL |
| 13 | 1 | PS2911-1ICS006 | U8 | NEC | PS2911-1-F3-A |
| 14 | 1 | SI3440DVT SOP6 | U11 | VISHAY | SI3440DV-T1-E3 |
| 15 | 1 | TLV431A SOT23-3 | U13 | ON-SEMI | TLV431ASN1T1G |
| 16 | 1 | LTC4267SSOP16 | U4 | LINEAR TECH | LTC4267CGN#PBF |
| 17 | 1 | ADP3330ARTZ-33 SOT23-6 | VR2 | ANALOG DEVICES | ADP3330ARTZ3.3-RL7 |
| 18 | 1 | ADP3330ARTZ-25 SOT23-6 | VR1 | ANALOG DEVICES | ADP3330ARTZ-2.5-R7 |
| 19 | 1 | USB 4PIN CON009 | J3 | MILL MAX | 897-43-004-90-000000 |
| 20 | 3 | 0.05 45x2 CON018 | P1-3 | SAMTEC | TFC-145-32-F-D |
| 21 | 2 | DIP4 SWT018 | SW1-2 | ITT | TDA04HOSB1 |
| 22 | 1 | RJ45 8PIN CON_RJ45B | J1 | HALO ELECTRONIC | HFJ11-2450E-RL |
| 23 | 2 | IDC2X1IDC2X1 | JP2-3 | FCI | 90726-402HLF |
| 24 | 1 | IDC3X1IDC3X1 | JP1 | FCI | 90726-403HLF |
| 25 | 1 | 0 1/4W 5% 1206 | R56 | KOA | 0.0ECTRk7372BTTED |
| 26 | 2 | YELLOWLED001 | LED1-2 | PANASONIC | LN1461C |
| 27 | 7 | 0.01UF 100V 10% 0805 | C1,C3,C6,C8,C11, C13,C16 | AVX | 08051C103KAT2A |
| 28 | 30 | 0.1UF 50V 10% 0805 | C2,C7,C9-10,C12, C19-41,C43,C48 | AVX | 08055C104KAT |

USB-LAN EZ-Extender Bill Of Materials

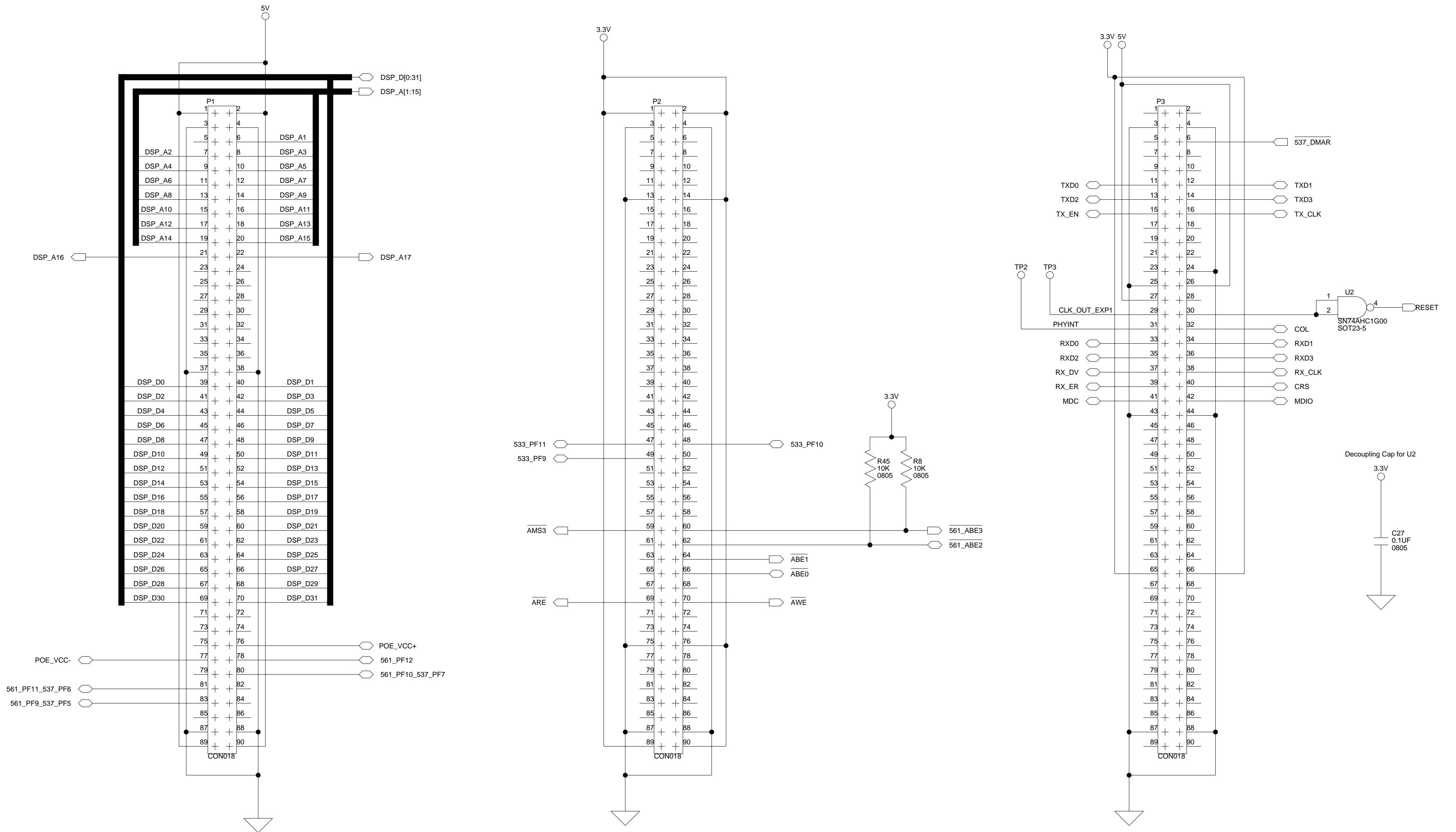
| Ref. | Qty. | Description | Reference Designator | Manufacturer | Part Number |
|------|------|-----------------------|----------------------------|--------------|------------------|
| 29 | 27 | 10K 1/10W 5% 0805 | R1-4,R8-18, R36-45,R48,R57 | VISHAY | CRCW080510K0JNEA |
| 30 | 1 | 331/10W5%0805 | R55 | VISHAY | CRCW080533R0JNEA |
| 31 | 1 | 4.7K 1/10W 5% 0805 | R34 | VISHAY | CRCW08054K70JNEA |
| 32 | 1 | 1M 1/10W 5% 0805 | R6 | VISHAY | CRCW08051M00JNEA |
| 33 | 1 | 1.5K 1/10W 5% 0805 | R20 | VISHAY | CRCW08051K50FKEA |
| 34 | 3 | 10UF 16V 10%B | CT1-3 | AVX | TAJB106K016R |
| 35 | 1 | 300MA LL4148 DL35 | D3 | DIODES INC | LL4148-13 |
| 36 | 5 | 600 100MHZ 500MA 1206 | FER1-4,FER7 | STEWARD | HZ1206B601R-10 |
| 37 | 1 | 11.0K 1/8W 1% 1206 | R25 | VISHAY | CRCW120611K0FKEA |
| 38 | 2 | 30PF 100V 5% 1206 | C14-15 | AVX | 12061A300JAT2A |
| 39 | 1 | 47.0K 1/10W 1% 0805 | R7 | VISHAY | CRCW080547K0FKEA |
| 40 | 4 | 01/10W5%0805 | R28-29,R46,R54 | VISHAY | CRCW08050000ZSEA |
| 41 | 1 | 3.32K 1/10W 1% 0805 | R53 | PANASONIC | ERJ-6ENF3321V |
| 42 | 2 | 42 100MHZ 4A 0805 | FER5-6 | TAIYO YUDEN | FBMJ2125HS420-T |
| 43 | 2 | 39.0 1/10W 1% 0805 | R19,R21 | DIGI-KEY | 311-39.0CRTR-ND |
| 44 | 4 | 0.47UF 16V 10% 0805 | C4-5,C44-45 | AVX | 0805YC474KAT2A |

| Ref. | Qty. | Description | Reference Designator | Manufacturer | Part Number |
|------|------|---------------------|----------------------|--------------|------------------|
| 45 | 3 | 1UF 10V 10% 0805 | C17-18,C42 | AVX | 0805ZC105KAT2A |
| 46 | 1 | 680UF 6.3V 10% E | CT6 | AVX | TPSE687K006R0045 |
| 47 | 1 | 100.0 1/10W 1% 0805 | R51 | DIGI-KEY | 311-100CRCT-ND |
| 48 | 2 | 10PF50V5%0805 | C46-47 | AVX | 08055A100JAT2A |
| 49 | 4 | 24.9 1/10W 1% 0805 | R26-27,R30-31 | DIGI-KEY | 311-24.9CRTR-ND |
| 50 | 2 | 49.9 1/10W 1% 0805 | R32-33 | DIGI-KEY | 311-49.9CRCT-ND |
| 51 | 1 | 2.43K 1/10W 1% 0805 | R5 | DIGI-KEY | 311-2.43KCRTR-ND |
| 52 | 1 | 40A SMAJ58A DIO003 | D1 | DIODES INC | SMAJ58A-13-F |
| 53 | 1 | 10A SBM1040 DIO004 | D2 | DIODES INC | SBM1040-13-F |
| 54 | 1 | 0.8A HD01 MDIP4 | D4 | DIODES INC | HD01-T |
| 55 | 1 | 68.1 1/10W 1% 0805 | R47 | VISHAY | CRCW080568R1FNEA |
| 56 | 1 | 6.81K 1/10W 1% 0805 | R49 | VISHAY | CRCW08056K81FNEA |
| 57 | 1 | 0.12 1/10W 1% 0603 | R50 | PANASONIC | ERJ-3RSFR12V |
| 58 | 2 | 3301/8W5%1206 | R22-23 | DALE | CRCW1206330RJNEA |
| 59 | 1 | 10.0K 1/8W 1% 1206 | R52 | DALE | CRCW120610K0FKEA |
| 60 | 1 | 4.7UF 10V20% B | CT4 | PANASONIC | EEE1HA4R7SR |

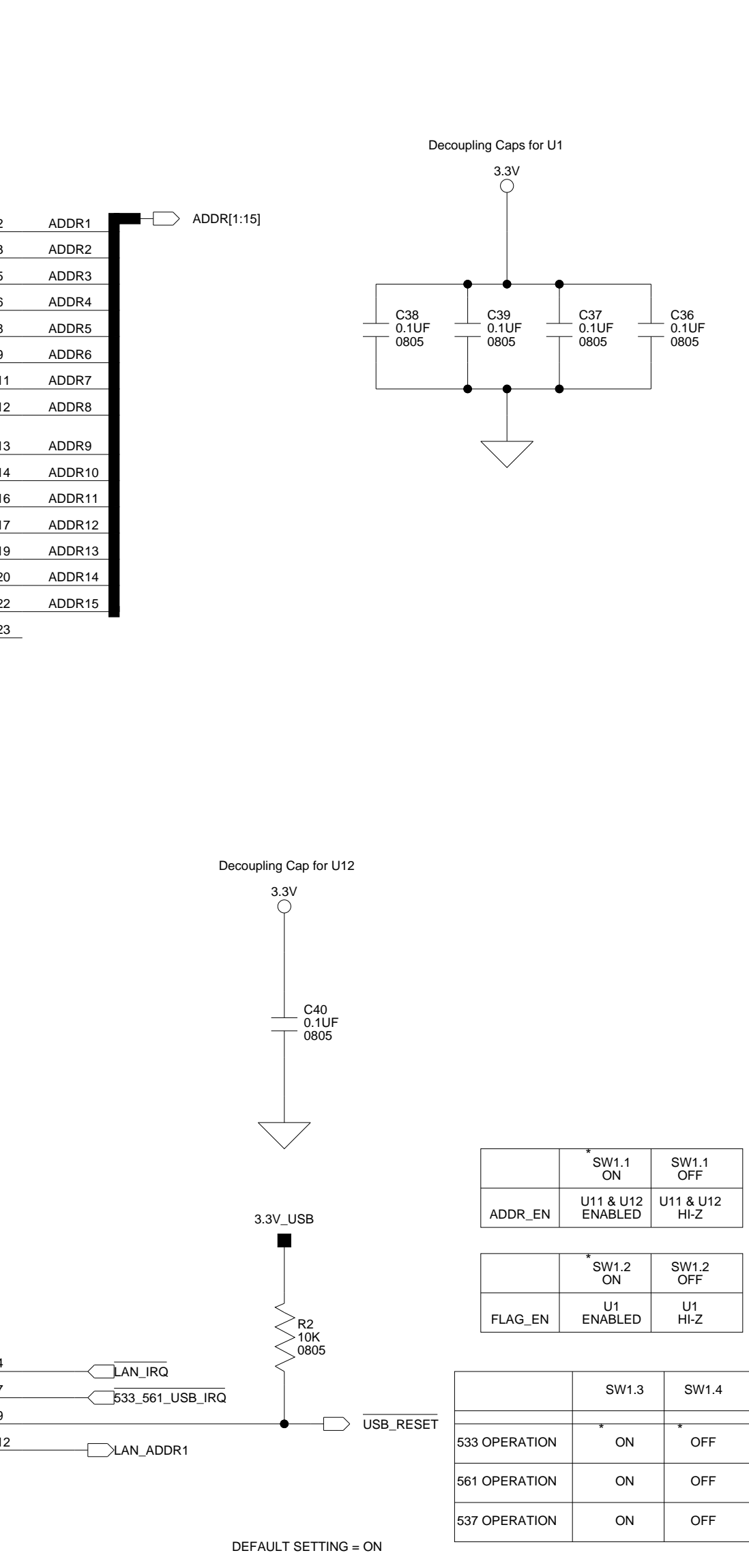
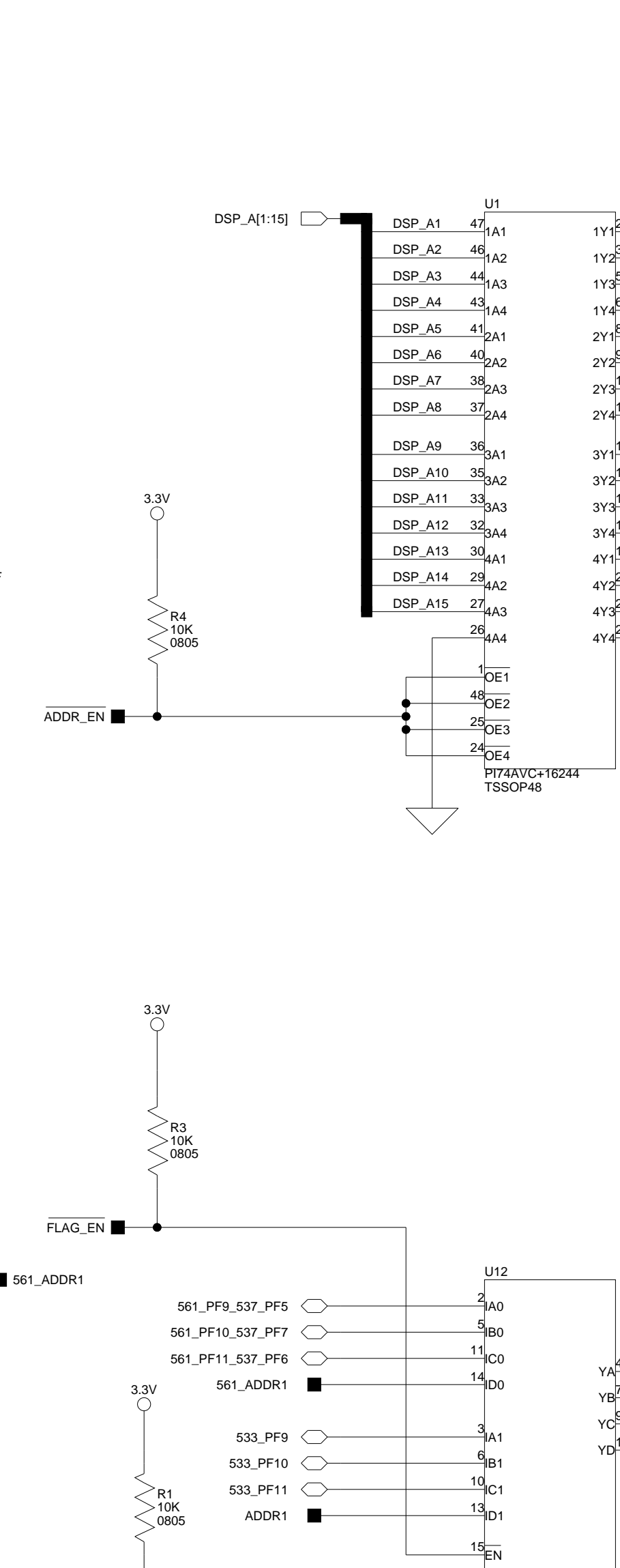
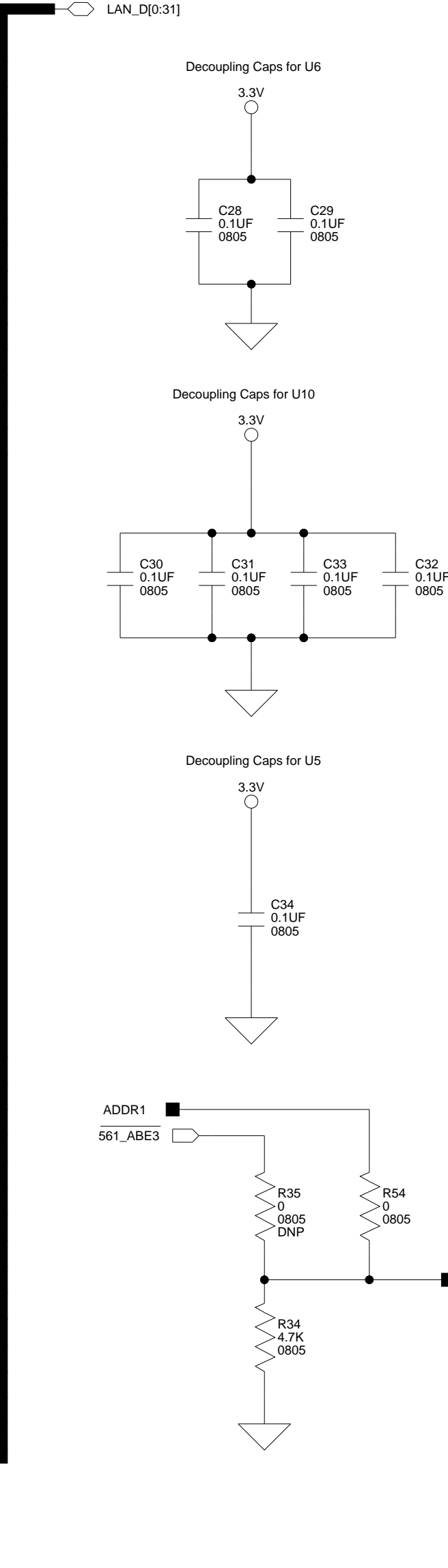
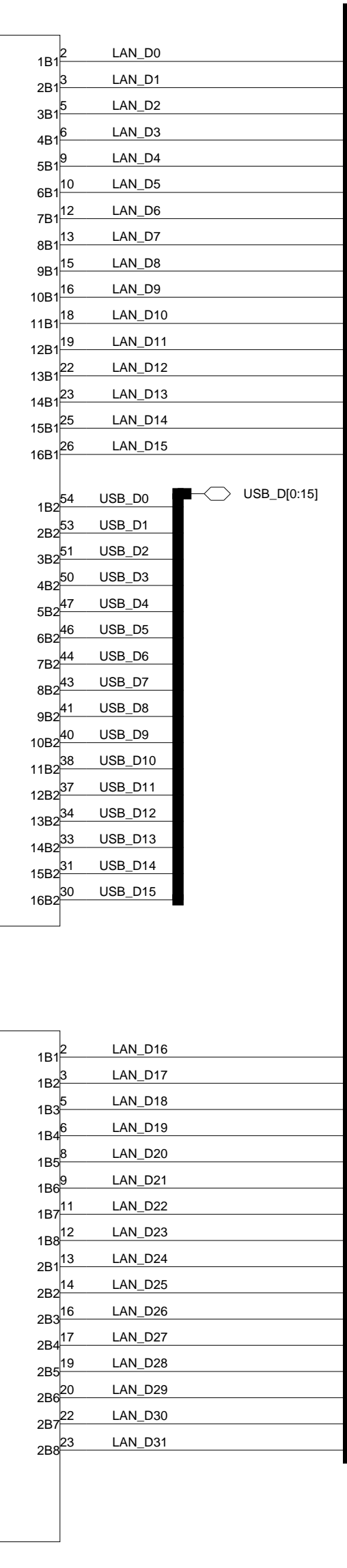
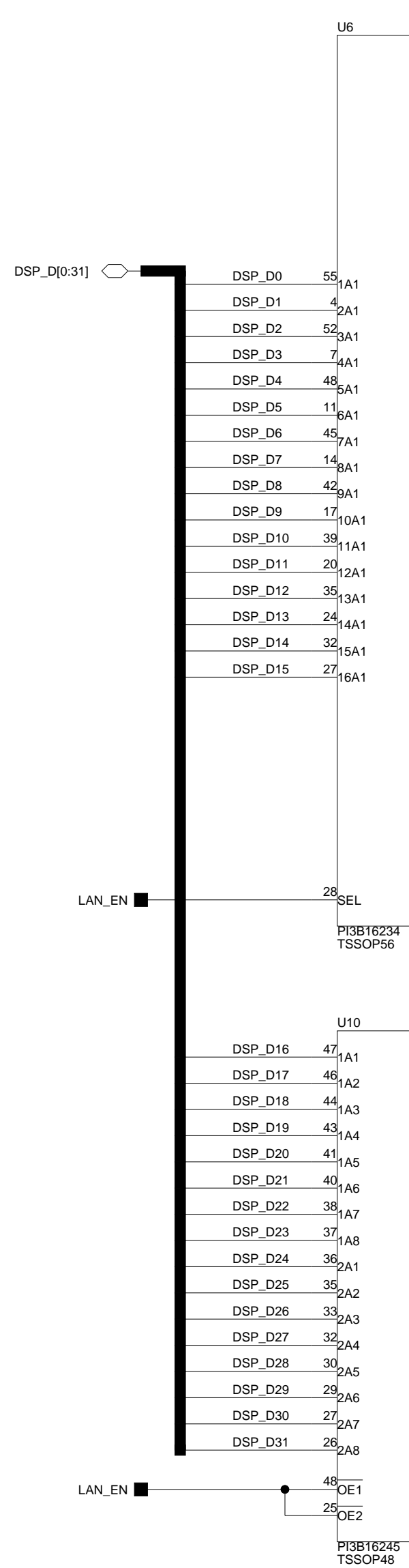
BLACKFIN USB-LAN EZ-EXTENDER SCHEMATIC

| | | |
|---|---------------------------------------|---|
|  | ANALOG DEVICES | 20 Cotton Road Nashua, NH 03063 PH: 1-800-ANALOGD |
| Title | BLACKFIN USB-LAN EZ-EXTENDER TITLE | |
| Size C | Board No. A0187-2003 | Rev 2.0 |
| Date 4-24-2006_9:43 | Sheet 1 | of 6 |

EXPANSION INTERFACE (TYPE B)



| | | | |
|---|--------------------------------|--|--|
|  ANALOG DEVICES | | 20 Cotton Road Nashua, NH 03063 PH: 1-800-ANALOGD | |
| | | Title BLACKFIN USB-LAN EZ-EXTENDER EXPANSION INTERFACE | |
| Size C | Board No. A0187-2003 | Rev 2.0 | |
| Date 4-24-2006_9:43 | Sheet 2 of 6 | | |



| A17 | A16 | BF533 DSP ADDR RANGE | PERIPHERAL |
|-----|-----|---------------------------|------------|
| 0 | 0 | 0x2030 0000 - 0x2030 007F | USB |
| 0 | 1 | 0x2031 0000 - 0x2031 FFFF | LAN |
| 1 | 0 | 0x2032 0000 - 0x2032 FFFF | N/A |
| 1 | 1 | 0x2033 0000 - 0x2033 FFFF | N/A |

| A17 | A16 | BF561 DSP ADDR RANGE | PERIPHERAL |
|-----|-----|---------------------------|------------|
| 0 | 0 | 0x2C00 0000 - 0x2C00 007F | USB |
| 0 | 1 | 0x2C01 0000 - 0x2C01 FFFF | LAN |
| 1 | 0 | 0x2C02 0000 - 0x2C02 FFFF | N/A |
| 1 | 1 | 0x2C03 0000 - 0x2C03 FFFF | N/A |

| A17 | A16 | BF537 DSP ADDR RANGE | PERIPHERAL |
|-----|-----|---------------------------|------------|
| 0 | 0 | 0x2030 0000 - 0x2030 007F | USB |
| 0 | 1 | 0x2031 0000 - 0x2031 FFFF | LAN |
| 1 | 0 | 0x2032 0000 - 0x2032 FFFF | N/A |
| 1 | 1 | 0x2033 0000 - 0x2033 FFFF | N/A |

| | | |
|---------|----------|-----------|
| ADDR_EN | SW1.1 ON | SW1.1 OFF |
| FLAG_EN | SW1.2 ON | SW1.2 OFF |

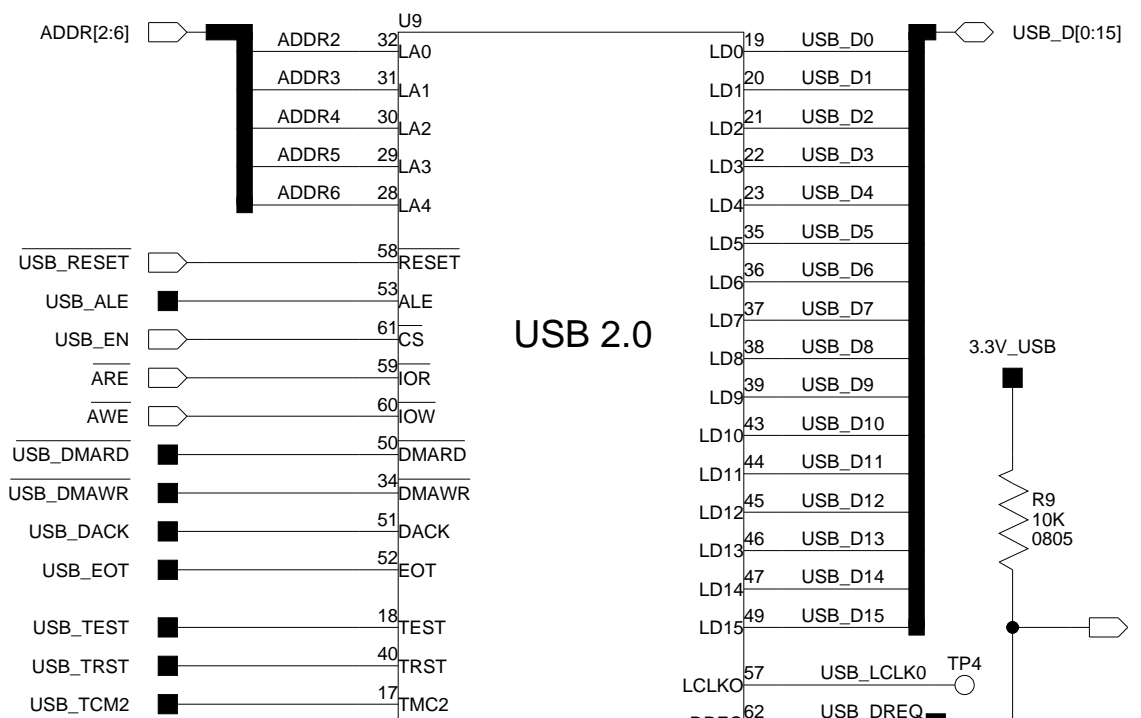
| | | |
|---------------|----------|-----------|
| 533 OPERATION | SW1.3 ON | SW1.3 OFF |
| 561 OPERATION | SW1.4 ON | SW1.4 OFF |
| 537 OPERATION | SW1.5 ON | SW1.5 OFF |

ANALOG DEVICES

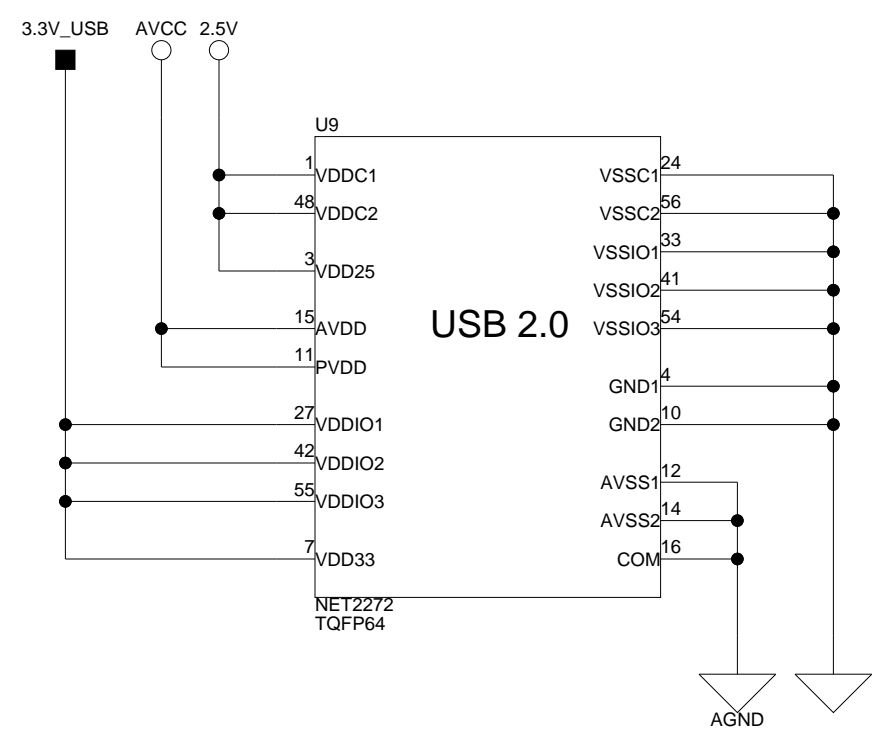
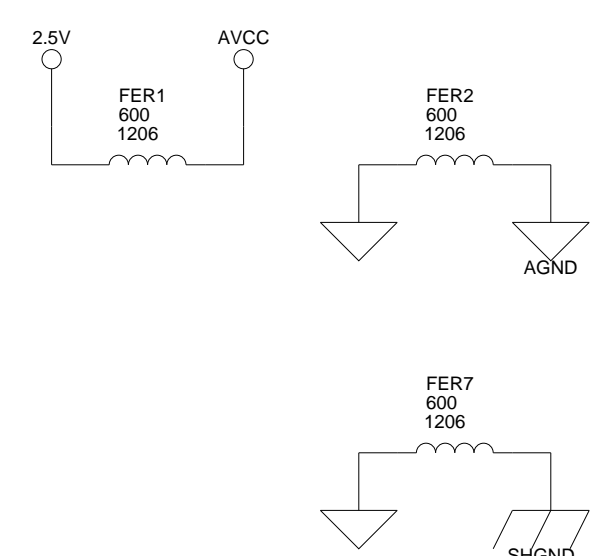
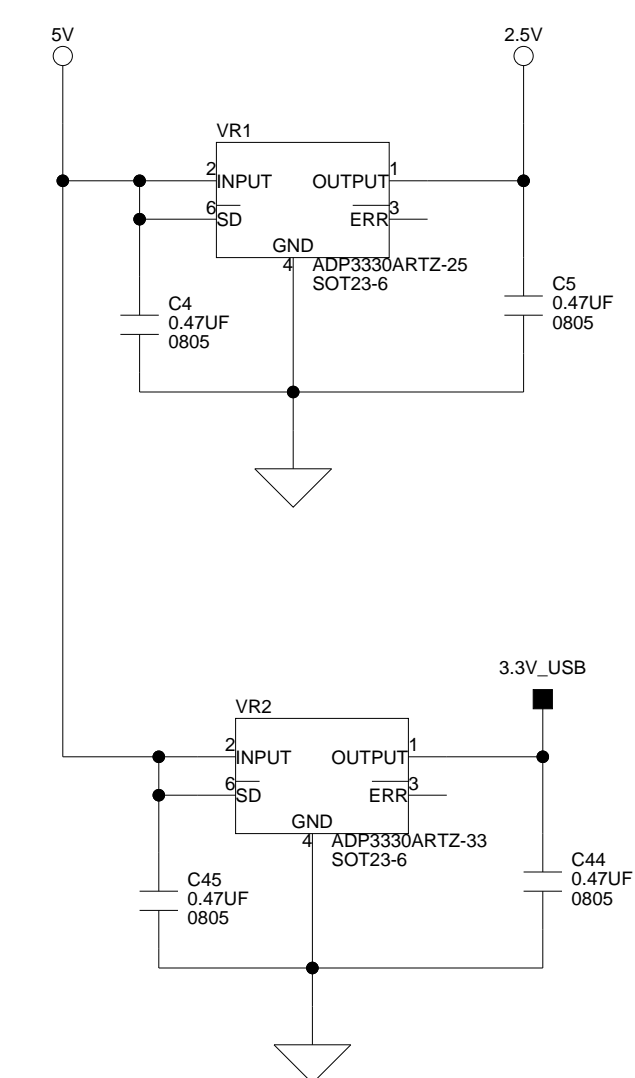
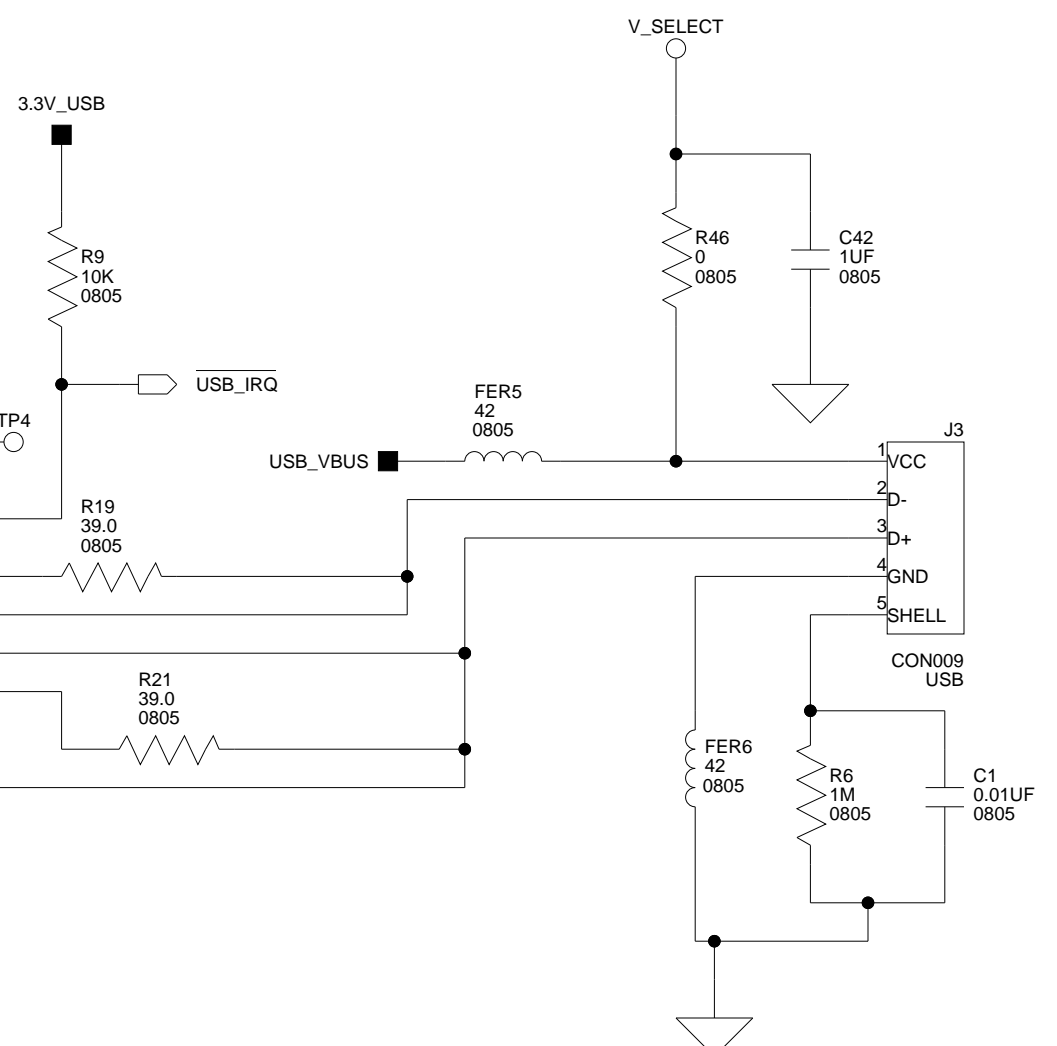
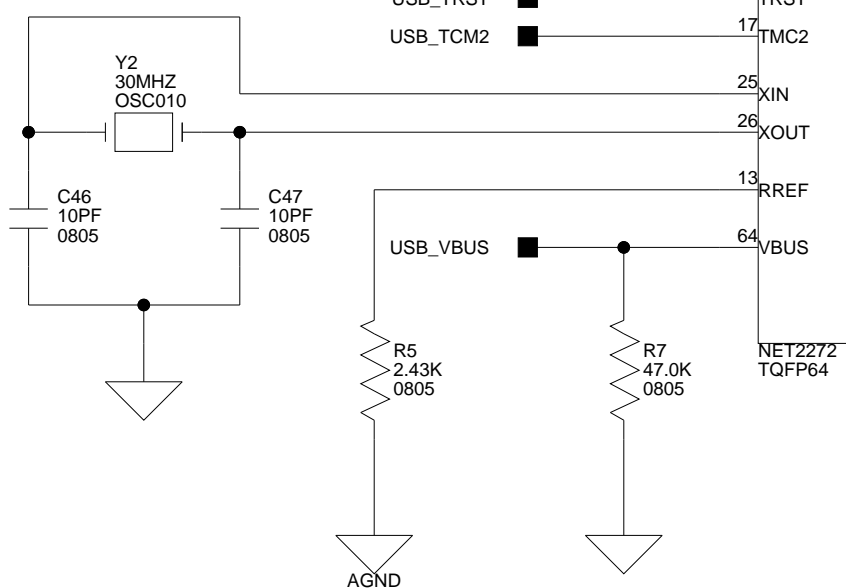
20 Cotton Road
Nashua, NH 03063
PH: 1-800-ANALOGD

Title BLACKFIN USB-LAN EZ-EXTENDER
BUS SWITCHES

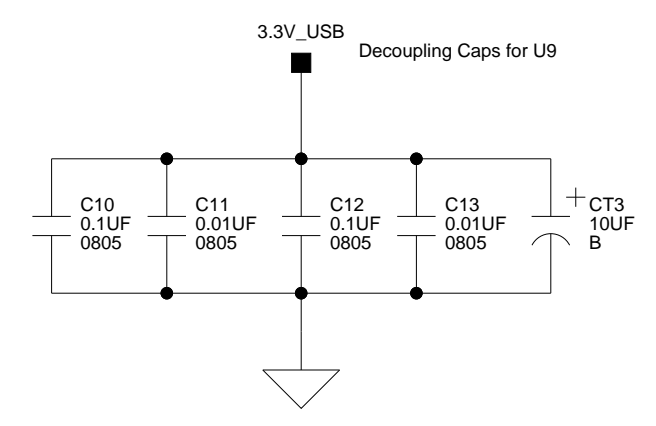
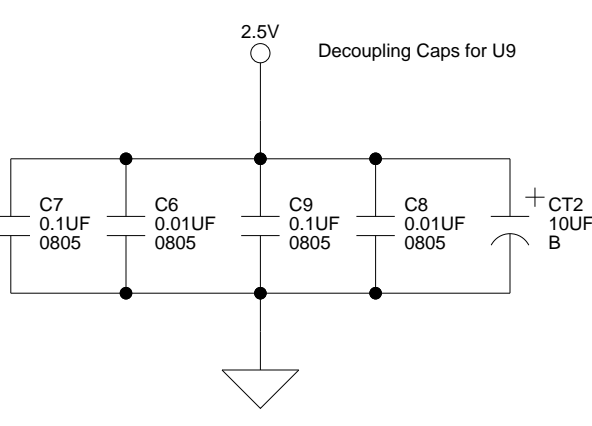
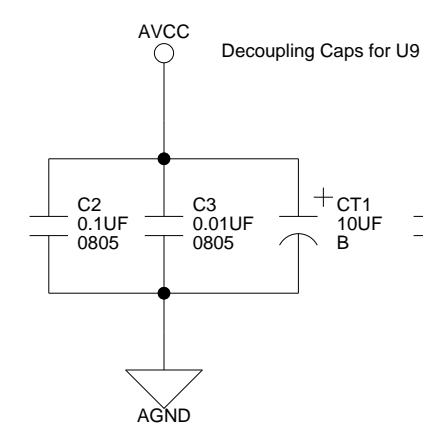
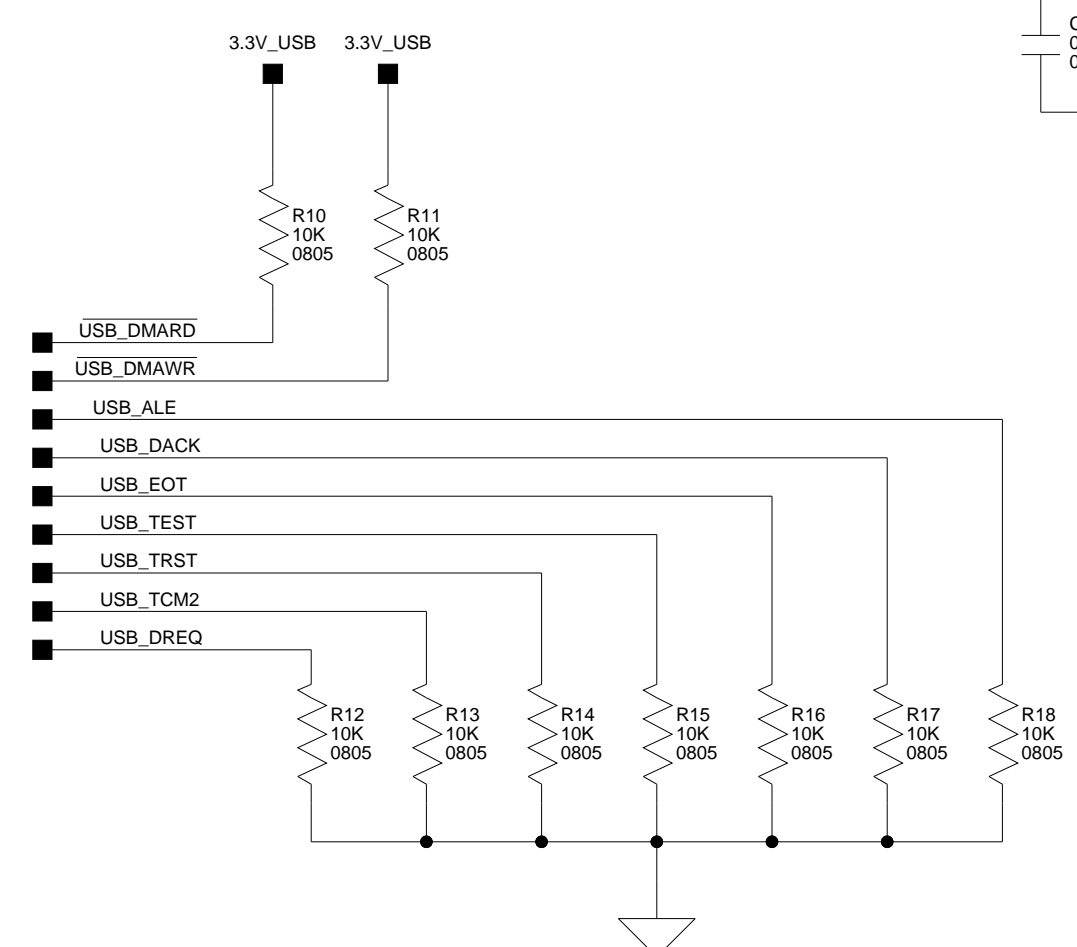
| | | |
|----------------------------|-----------------------------|----------------|
| Size C | Board No. A0187-2003 | Rev 2.0 |
| Date 4-24-2006_9:43 | Sheet 3 of 6 | |



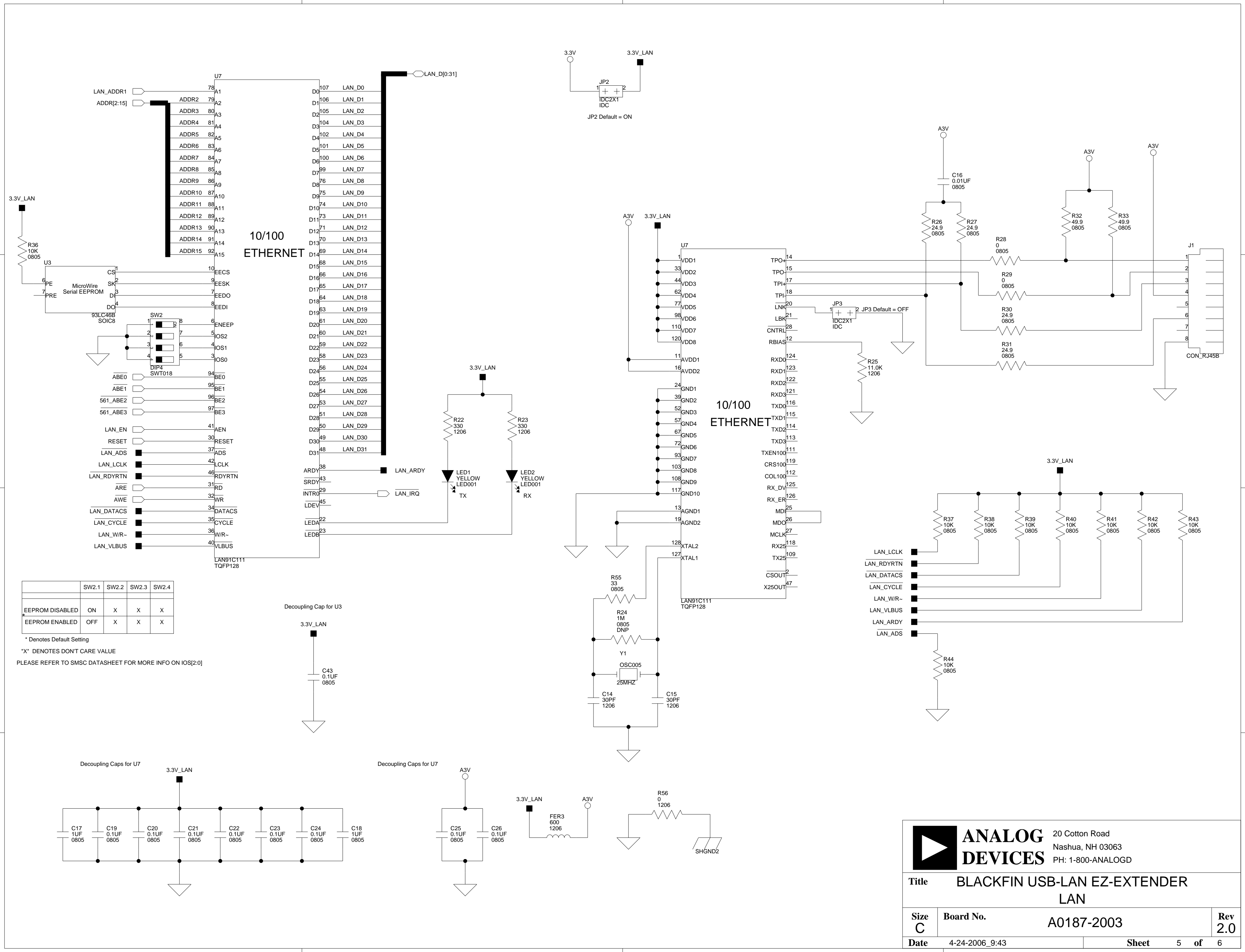
USB 2.0



USB 2.0



| | | | |
|---|--------------------------------|---|--|
|  ANALOG DEVICES | | 20 Cotton Road Nashua, NH 03063 PH: 1-800-ANALOGD | |
| | | Title BLACKFIN USB-LAN EZ-EXTENDER USB | |
| Size C | Board No. A0187-2003 | Rev 2.0 | |
| Date 4-24-2006_9:43 | Sheet 4 of 6 | | |

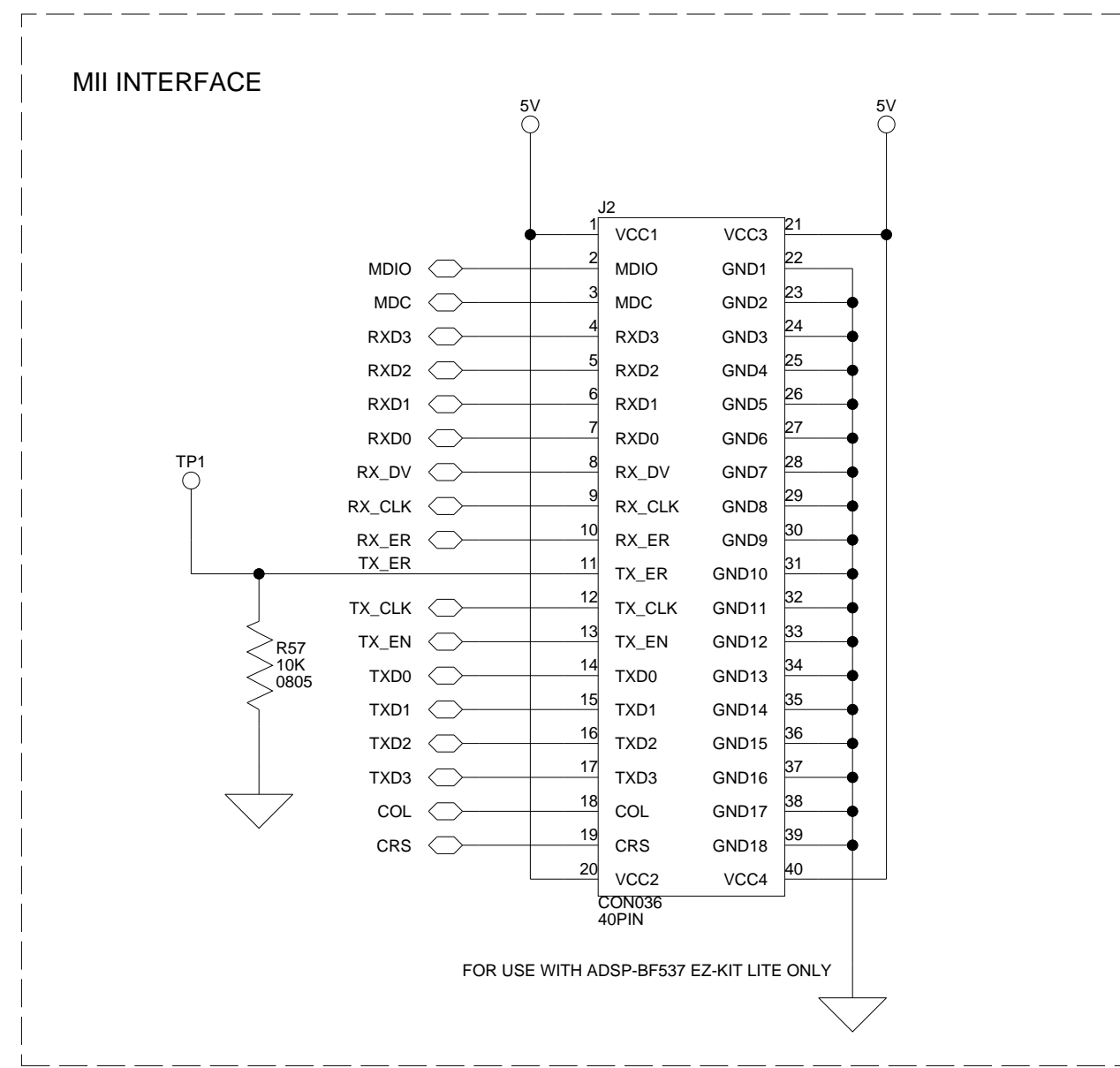
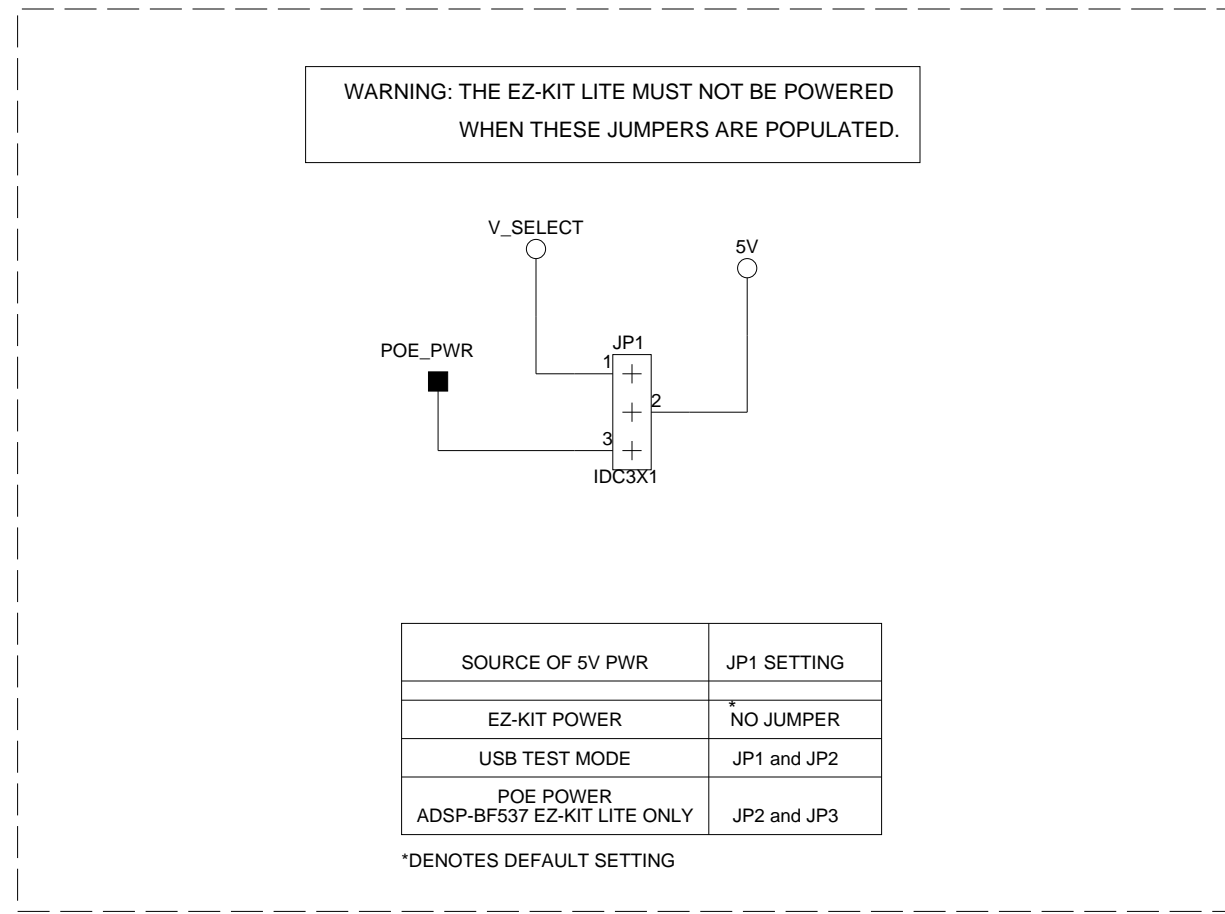
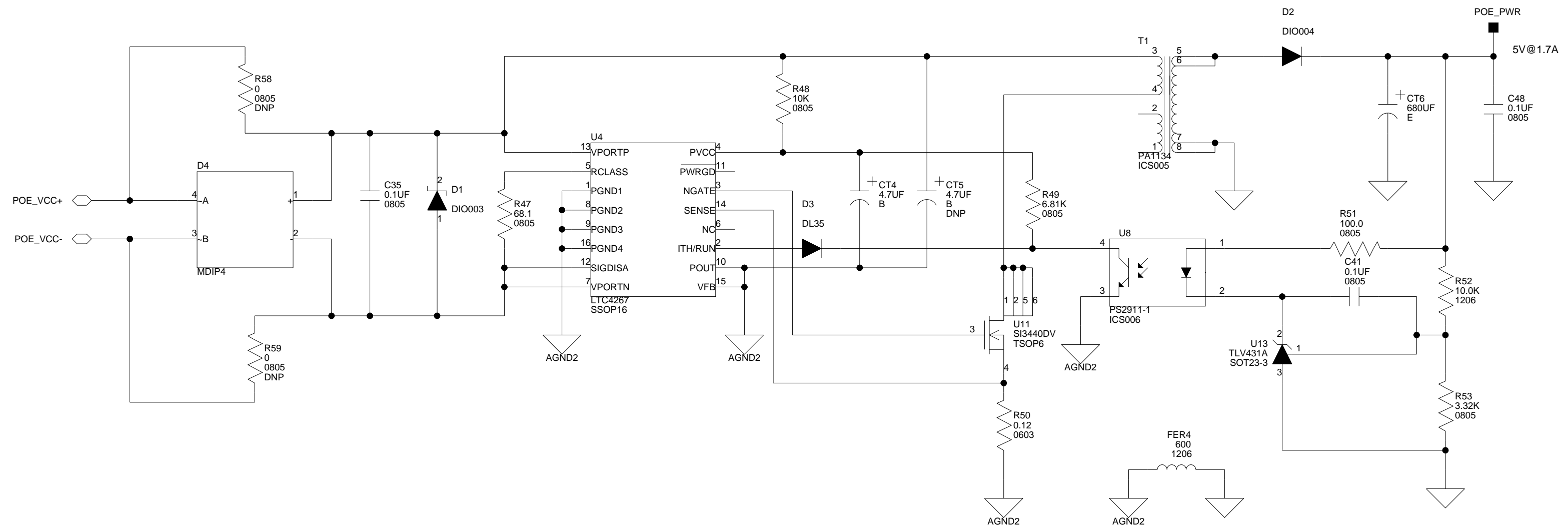


ANALOG DEVICES

20 Cotton Road
 Nashua, NH 03063
 PH: 1-800-ANALOGD

| | | |
|---|-----------------------------|----------------|
| Title BLACKFIN USB-LAN EZ-EXTENDER LAN | | |
| Size C | Board No. A0187-2003 | Rev 2.0 |
| Date 4-24-2006_9:43 | Sheet 5 of 6 | |

POWER OVER ETHERNET CIRCUITRY
FOR USE WITH ADSP-BF537 EZ-KIT LITE ONLY



20 Cotton Road
Nashua, NH 03063
PH: 1-800-ANALOGD

Title **BLACKFIN USB-LAN EZ-EXTENDER
POE, MII, PWR SELECTION**

| | | |
|------------------------|-------------------------|------------|
| Size C | Board No. A0187-2003 | Rev 2.0 |
| Date 4-24-2006_9:43 | Sheet 6 of 6 | |

I INDEX

A

address
 bus buffers, [2-6](#)
 enable switch (SW1.1), [2-6](#)
ADSP-BF533/37/61 processors
 asynchronous memory bank, [1-3](#), [1-4](#)
 programmable flags, [1-3](#), [1-4](#), [2-7](#)
ADSP-BF537 EZ-KIT Lite
 interfaces, [1-5](#)
 power select jumper (JP1), [2-3](#)
architecture, of this EZ-Extender, [2-2](#)
asynchronous memory bank, [-x](#), [1-3](#), [1-4](#)

B

bill of materials, [A-1](#)
block diagram, [2-2](#)
board schematic, [B-1](#)

C

configuration, of this EZ-Extender, [1-1](#)
connectors
 J1-3 (expansion), [1-2](#)
 J2 (PHY devices), [1-6](#)
customer support, [-xiii](#)

D

dimensions, of this EZ-Extender, [-xi](#)

E

Ethernet
 cable, [2-4](#)
 devices, [-x](#), [1-4](#)
 interface, [-x](#), [1-4](#)
 software documentation, [1-3](#)
expansion interface, [-x](#), [1-2](#)

F

flag pins, *See* programmable flags (PFs)
FLAGS enable switch (SW1.2), [2-7](#)

I

interfaces, [1-1](#)
 Ethernet, [1-4](#)
 Media Independent Interface (ADSP-BF537
 processors), [1-6](#)
 Power-over-Ethernet (ADSP-BF537
 processors), [-x](#), [1-5](#), [2-4](#)
 USB 2.0, [1-3](#)
IOS switch (SW2.2-2.4), [2-9](#)
IRQ line, [1-4](#), [2-7](#)

J

J2 connector, [1-6](#)
jumpers
 map of locations, [2-3](#)
 JP1 (power), [2-3](#)
 JP2 (LAN power), [2-5](#)
 JP3 (link power), [2-5](#)

INDEX

L

LAN

- device memory map, 1-5
- devices, -x, 2-8
- power jumper (JP2), 2-5
- link jumper (JP3), 2-5

M

- Media Access Control (MAC) address, 2-8
- Midpan devices, 1-5
- MII interface, 1-6

N

- notation conventions, -xvi

P

- PHY devices, 1-6
- power
 - select jumper (JP1), 2-3
 - supply, 2-4
- Power-over-Ethernet (PoV), -x, 1-5, 2-4
- product overview, -x
- programmable flags (PFs)
 - PF10 (ADSP-BF533/61 USB_IRQ), 1-4, 2-7
 - PF11 (ADSP-BF533/61 USB devices), 1-3
 - PF6 (ADSP-BF537 USB devices), 1-3
 - PF7 (ADSP-BF537 USB_IRQ), 1-4, 2-7
 - PF9 (ADSP-BF533/61 Ethernet IRQ), 1-4

R

- reset operation, 1-4

S

- schematic of this EZ-Extender, B-1
- serial ROM enable switch (SW2.1), 2-8, 2-9
- setup, of this EZ-Extender, 1-1
- SMSC 91C111 device, 2-5
- supervisory reset circuit, 1-4
- SW1.1 (address enable) switch, 2-6
- SW1.2 (flag enable) switch, 2-7
- SW1.3 (USB IRQ enable) switch, 2-7
- SW1.4 (test mode enable) switch, 2-8
- SW2.1 (serial ROM enable) switch, 2-8, 2-9
- SW2.2-2.4 (IOS) switch, 2-9
- switches
 - See also* SW_x
 - map of locations, 2-6
- system architecture, 2-2

T

- test mode enable switch (SW1.4), 2-8

U

USB

- device memory map, 1-4
- devices, -x
- interface, 1-3
- IRQ enable switch (SW1.3), 2-7
- software documentation, 1-2
- USB_IRQ line, 1-4, 2-7