

# LTC3867EUF

## Synchronous Buck Converter with Remote Sensing

### DESCRIPTION

Demonstration circuit 1771A is a single output synchronous buck converter featuring the LTC<sup>®</sup>3867EUF with a 24-lead 4mm × 4mm QFN package.

The DC1771A is configured with a sense resistor. DCR sensing circuit is optional. Using the inductor's DCR as the sense element instead of the on-board sense resistor saves cost and board space while improving full-load efficiency over 2%, though the sense resistor provides a more accurate current limit.

The board has a lot of features including an internal 5V linear regulator for bias, output voltage remote sense, programmable nonlinear control to improve load transient performance, programmable thermal shutdown,

optional temperature compensated DCR sense circuit, a mode selector that allows the converter to run in CCM, pulse-skipping or Burst Mode<sup>®</sup> operation. Synchronization to an external clock is also possible.

The input voltage range is from 4.5V to 14V. The LTC3867 data sheet gives a complete description of the part, operation and application information and must be read in conjunction with this demo manual for DC1771A.

**Design files for this circuit board are available at <http://www.linear.com/demo>**

LT, LT, LTC, LTM, Burst Mode, Linear Technology and the Linear logo are registered trademarks of Linear Technology Corporation. All other trademarks are the property of their respective owners.

### PERFORMANCE SUMMARY (T<sub>A</sub> = 25°C)

PARAMETER	CONDITIONS/NOTES	VALUE
Input Voltage Range		4.5V ~ 14V
Output Voltage V <sub>OUT</sub>	V <sub>IN</sub> = 4.5V ~ 14V, I <sub>OUT</sub> = 0A ~ 15A, JP3: CCM	1.5V ±2% (1.470V ~ 1.530V)
Default Operating Frequency		400kHz
External Clock Sync. Frequency Range		400kHz to 780kHz
Typical Full-Load Efficiency (See Figure 4)	V <sub>IN</sub> = 12V, V <sub>OUT</sub> = 1.5V, I <sub>OUT1</sub> = 15A, f <sub>SW</sub> = 400kHz	88.3%

# DEMO MANUAL DC1771A

## QUICK START PROCEDURE

Demonstration circuit DC1771A is easy to set up to evaluate the performance of the LTC3867EUF. Please refer to Figure 1 for proper measurement equipment setup and follow the procedure below:

1. Place jumpers in the following positions for a typical application:

JP2 On

JP3 CCM

2. With power off, connect the input power supply, load and meters as shown in Figure 1. Preset the load to 0A and VIN supply to 12V.

3. Turn on the power supply at the input.

NOTE: Make sure that the input voltage does not exceed 14V.

4. Check the output voltage. The output voltage should be between 1.470V and 1.530V.

Once the proper output voltage is established, adjust the load within the operating range and observe the output voltage regulation, output voltage ripple, efficiency and other parameters.

NOTE: When measuring the input or output voltage ripple, care must be taken to avoid a long ground lead on the oscilloscope probe. Measure the input or output voltage ripple by touching the probe tip directly across the VIN or VOUT and GND terminals. See Figure 2 for proper scope probe technique.

5. Change JP3 jumper position to select different operation modes. Set jumper to CCM, BURST or P.S. position to set forced continuous conduction, burst or pulse-skipping mode respectively. For synchronizing to an external clock source, set the jumper to BURST position and apply the clock signal to MODE/PLLIN turret.

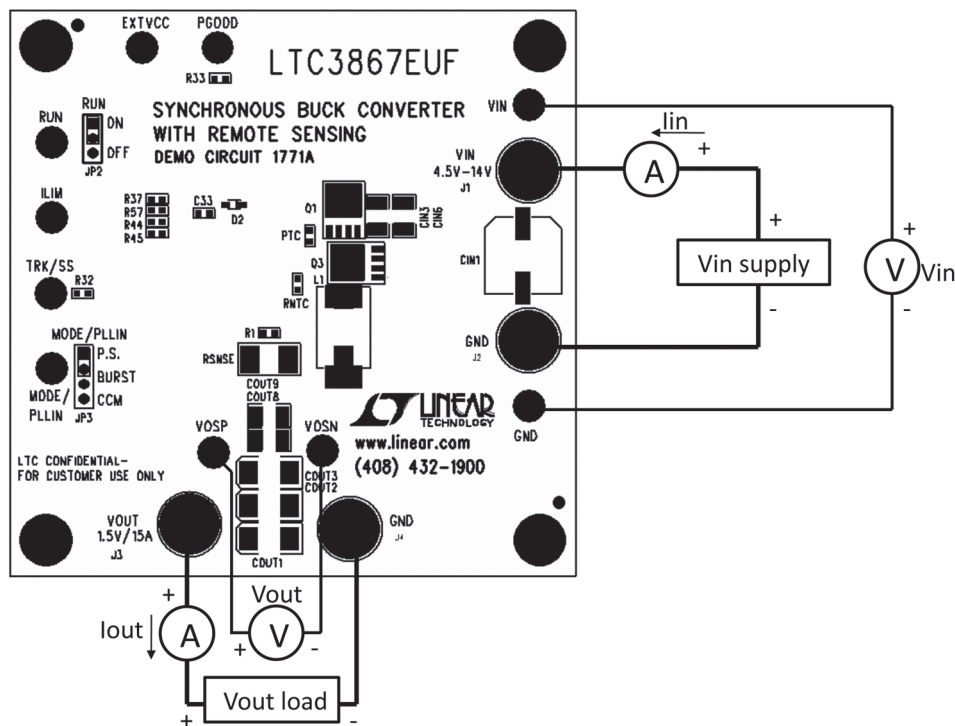


Figure 1. Test Setup of the DC1771A

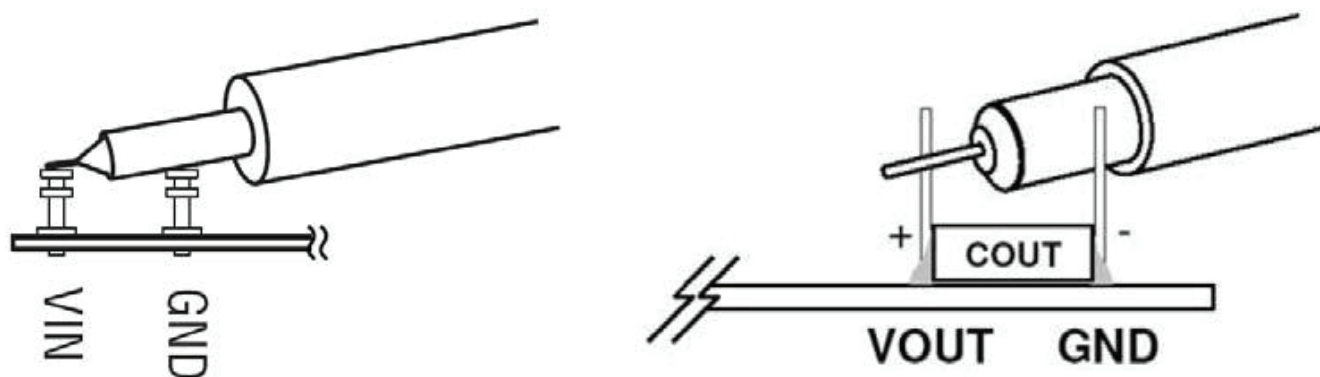
## RAIL TRACKING

Demonstration circuit 1771A is configured for an onboard soft-start circuit. The soft-start ramp rate can be adjusted by changing the value of C24. Demonstration circuit 1771A

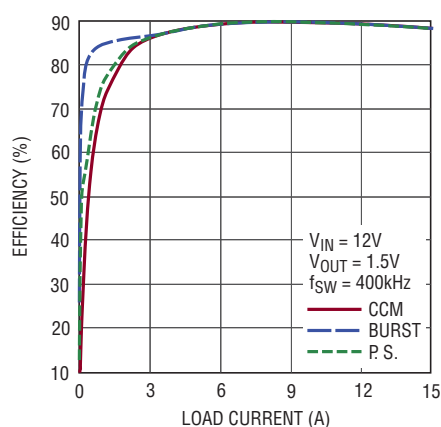
can also be modified to track an external reference. Refer to Table 1 for tracking options and to the data sheet for more details.

**Table 2. Output Tracking Options**

CONFIGURATION	TRK/SS RESISTORS AND CAPACITOR			RAIL TRACKING
	R32	R35	C24	TRK/SS PIN
Soft-Start Without Tracking (Default)	0Ω	Open	0.1μF	OPEN
VOUT Equals External Ramp	0Ω	Open	Open	External Reference Applied
VOUT Tracking Scaled External Ramp	Resistor Divider			External Reference Applied



**Figure 2. Measuring Input or Output Ripple Across Terminals or Directly Across Bulk Capacitor**



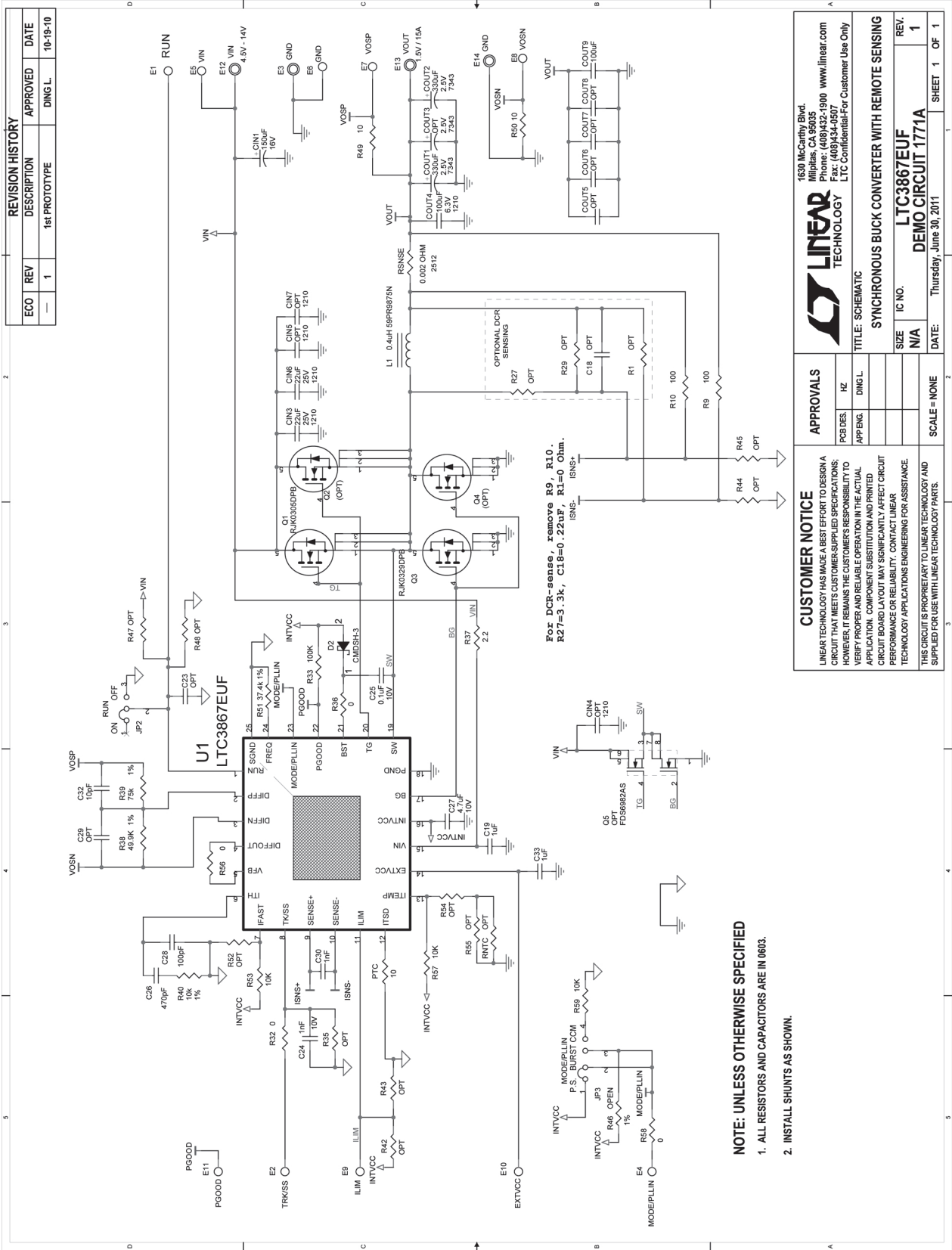
**Figure 3. Measured Efficiency**

# DEMO MANUAL DC1771A

## PARTS LIST

ITEM	QTY	REFERENCE	PART DESCRIPTION	MANUFACTURER/PART NUMBER
<b>Required Circuit Components</b>				
1	2	CIN3, CIN6	CAP, X5R 22 $\mu$ F 20% 25V 1210	TAIYO YUDEN TMK325BJ226MM-T
2	2	COUT1, COUT3	CAP, 330 $\mu$ F 20% 2.5V POSCAP 7343	SANYO 2R5TPE330MF
3	2	COUT4, COUT9	CAP, X5R 100 $\mu$ F 20% 6.3V 1210	
4	2	C19, C33	CAP, X5R 1 $\mu$ F 10% 25V 0603	TDK C1608X5R1E105K
5	2	C24, C30	CAP, X7R 1nF 10% 25V 0603	AVX 06033C102KAT
6	1	C25	CAP, X5R 0.1 $\mu$ F 10% 10V 0603	AVX 0603ZD104KAT
7	1	C28	CAP, C0G 100pF 5% 50V 0603	TDK C1608C0G1H101J
8	1	C32	CAP, C0G 10pF 5% 50V 0603	TDK C1608C0G1H100J
9	1	C27	CAP, X5R 4.7 $\mu$ F 10% 10V 0603	
10	1	C26	CAP, C0G 470pF 5% 50V 0603	TDK C1608C0G1H471J
11	1	D2	DIODE, CMDSH-3 SOD-323	CENTRAL SEMI CMDSH-3-LTC
12	1	L1	IND., 0.4 $\mu$ H	VITEC 59PR9875
13	1	Q1	XSTR, MOSFET LPAK	RENESAS RJK0305DPB
14	1	Q3	XSTR, MOSFET LPAK	RENESAS RJK0329DPB
15	1	RSNSE	RES, 0.002 $\Omega$ 5% 1/4W 2512	PANASONIC ERJM1WTJ2MOU
16	1	U1	IC, LTC3867EUF,QFN 4mm x 4mm	
17	4	R32, R36, R56, R58	RES, 0 $\Omega$ JUMPER 0603	VISHAY CRCW06030000Z0EA
18	2	R9, R10	RES, 100 $\Omega$ 1%, 1/10W 0603	VISHAY CRCW0603100RFKEA
19	1	R33	RES, 100k 1% 1/10W 0603	VISHAY CRCW0603100KFKEA
20	1	R37	RES, 2.2 $\Omega$ 5% 1/10W 0603	VISHAY CRCW06032R20JNEA
21	1	R38	RES, 49.9k 1% 1/10W 0603	VISHAY CRCW060349K9FKED
22	1	R39	RES, 75k 1% 1/10W 0603	VISHAY CRCW060375KFKEA
23	1	R40	RES, 10k 1% 1/10W 0603	VISHAY CRCW060310KFKEA
24	1	R51	RES, 37.4K $\Omega$ 1% 1/10W 0603	VISHAY CRCW060337K4FKEA
25	6	R49, R50, R53, R57, R59, PTC	RES, 10 $\Omega$ 1% 1/10W 0603	VISHAY CRCW060310R0FKEA
<b>Additional Demo Board Circuit Components</b>				
1	1	CIN1	CAP, 150 $\mu$ F 20% 16V	SANYO 16SVP150M
2	8	E1, E2, E4-E11	TESTPOINT, TURRET, 0.094" PBF	MILL-MAX, 2501-2-00-80-00-00-07-0
3	4	E3, E12-E14	JACK BANANA	KEYSTONE, 575-4
<b>Hardware-For Demo Board Only</b>				
1	1	JP3	HEADER 4-PIN 0.079 SINGLE ROW	SAMTEC, TMM104-02-L-S
2	1	JP2	HEADER 3-PIN 0.079 SINGLE ROW	SAMTEC, TMM103-02-L-S
3	2	XJP2, XJP3	SHUNT, 0.079" CENTER	SAMTEC, 2SN-BK-G
4	4	(STAND-OFF)	STAND-OFF, NYLON 0.50"	KEYSTONE, 8832(SNAP ON)

SCHEMATIC DIAGRAM



# DEMO MANUAL DC1771A

---

## DEMONSTRATION BOARD IMPORTANT NOTICE

Linear Technology Corporation (LTC) provides the enclosed product(s) under the following **AS IS** conditions:

This demonstration board (DEMO BOARD) kit being sold or provided by Linear Technology is intended for use for **ENGINEERING DEVELOPMENT OR EVALUATION PURPOSES ONLY** and is not provided by LTC for commercial use. As such, the DEMO BOARD herein may not be complete in terms of required design-, marketing-, and/or manufacturing-related protective considerations, including but not limited to product safety measures typically found in finished commercial goods. As a prototype, this product does not fall within the scope of the European Union directive on electromagnetic compatibility and therefore may or may not meet the technical requirements of the directive, or other regulations.

If this evaluation kit does not meet the specifications recited in the DEMO BOARD manual the kit may be returned within 30 days from the date of delivery for a full refund. **THE FOREGOING WARRANTY IS THE EXCLUSIVE WARRANTY MADE BY THE SELLER TO BUYER AND IS IN LIEU OF ALL OTHER WARRANTIES, EXPRESSED, IMPLIED, OR STATUTORY, INCLUDING ANY WARRANTY OF MERCHANTABILITY OR FITNESS FOR ANY PARTICULAR PURPOSE. EXCEPT TO THE EXTENT OF THIS INDEMNITY, NEITHER PARTY SHALL BE LIABLE TO THE OTHER FOR ANY INDIRECT, SPECIAL, INCIDENTAL, OR CONSEQUENTIAL DAMAGES.**

The user assumes all responsibility and liability for proper and safe handling of the goods. Further, the user releases LTC from all claims arising from the handling or use of the goods. Due to the open construction of the product, it is the user's responsibility to take any and all appropriate precautions with regard to electrostatic discharge. Also be aware that the products herein may not be regulatory compliant or agency certified (FCC, UL, CE, etc.).

No License is granted under any patent right or other intellectual property whatsoever. **LTC assumes no liability for applications assistance, customer product design, software performance, or infringement of patents or any other intellectual property rights of any kind.**

LTC currently services a variety of customers for products around the world, and therefore this transaction **is not exclusive**.

**Please read the DEMO BOARD manual prior to handling the product.** Persons handling this product must have electronics training and observe good laboratory practice standards. **Common sense is encouraged.**

This notice contains important safety information about temperatures and voltages. For further safety concerns, please contact a LTC application engineer.

Mailing Address:

Linear Technology  
1630 McCarthy Blvd.  
Milpitas, CA 95035

Copyright © 2004, Linear Technology Corporation