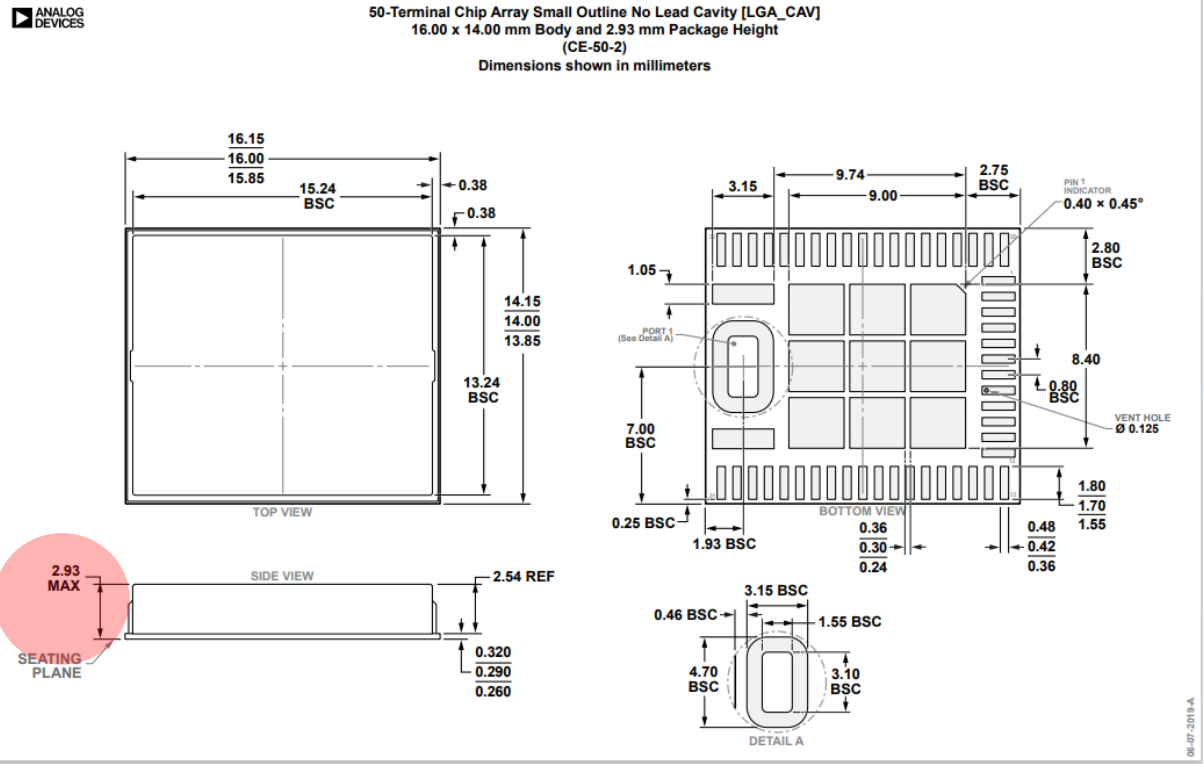


16x14 POD revision

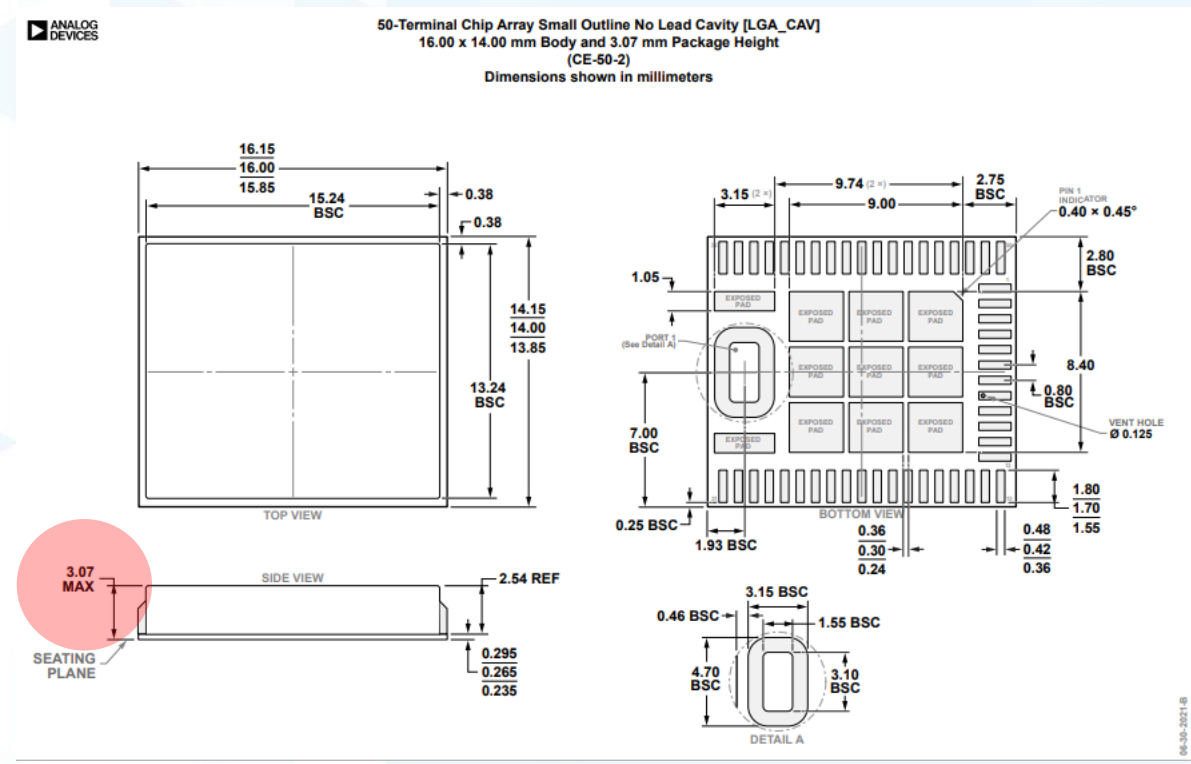
ADMV7310/7320

Package height change from max 2.93 to max 3.07

Old



New



11x13 POD revision

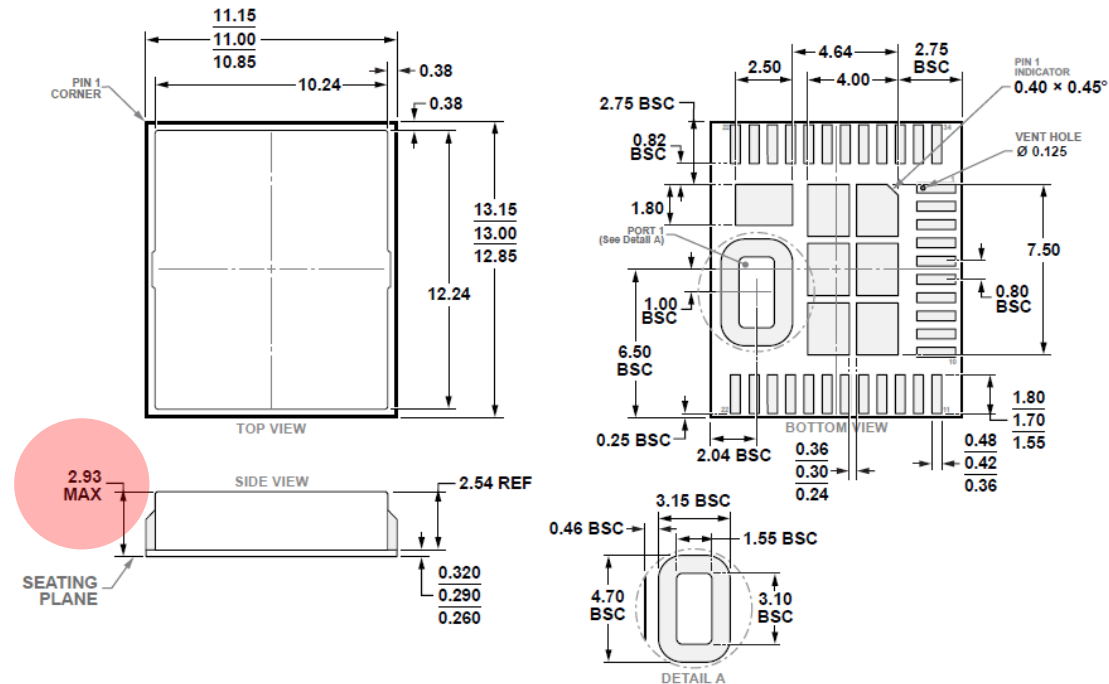
ADMV7410/7420

Package height change from max 2.93 to max 3.07

Old



34-Terminal Chip Array Small Outline No Lead Cavity [LGA_CAV]
11.00 x 13.00 mm Body and 2.93 max mm Package Height
(CE-34-2)
Dimensions shown in millimeters



New



34-Terminal Chip Array Small Outline No Lead Cavity [LGA_CAV]
11.00 x 13.00 mm Body and 3.07 max mm Package Height
(CE-34-2)
Dimensions shown in millimeters

