

Terminal symbol	Type	Pin description
NC	No connect	No connection. Should be tied to ground.
PWUP	Digital input	Apply a positive voltage ($1.3 \leq V_{PWUP} \leq +V_{POS}$) to activate device.
RGP1	Analog output	Gain resistor input 1.
INHI	Analog input	Balanced differential input. Biased to mid supply, normally ac coupled.
INLO	Analog input	Balanced differential input. Biased to mid supply, normally ac coupled.
RGP2	Digital input	Gain resistor input 2.
COMM	Power	Device common. Connect to low impedance ground.
OPLO	Analog output	Balanced differential output. Biased to V_{OCM} , normally ac coupled.
OPHI	Analog output	Balanced differential output. Biased to V_{OCM} , normally ac coupled.
VPOS	Power	Positive supply voltage. 3 V to 5.5 V
VOCM	Analog I/O	Voltage applied to this pin sets the common mode voltage at both the input and output. Normally decoupled to ground with a 0.1 μ F capacitor.

FIGURE 1. Terminal connections – continued.

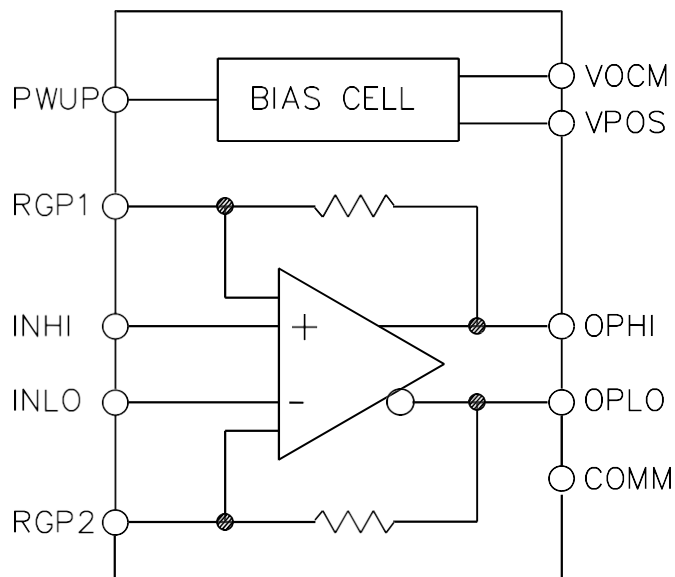


FIGURE 2. Block diagram.

STANDARD MICROCIRCUIT DRAWING DLA LAND AND MARITIME COLUMBUS, OHIO 43218-3990	SIZE A		5962-08218
		REVISION LEVEL B	SHEET 13

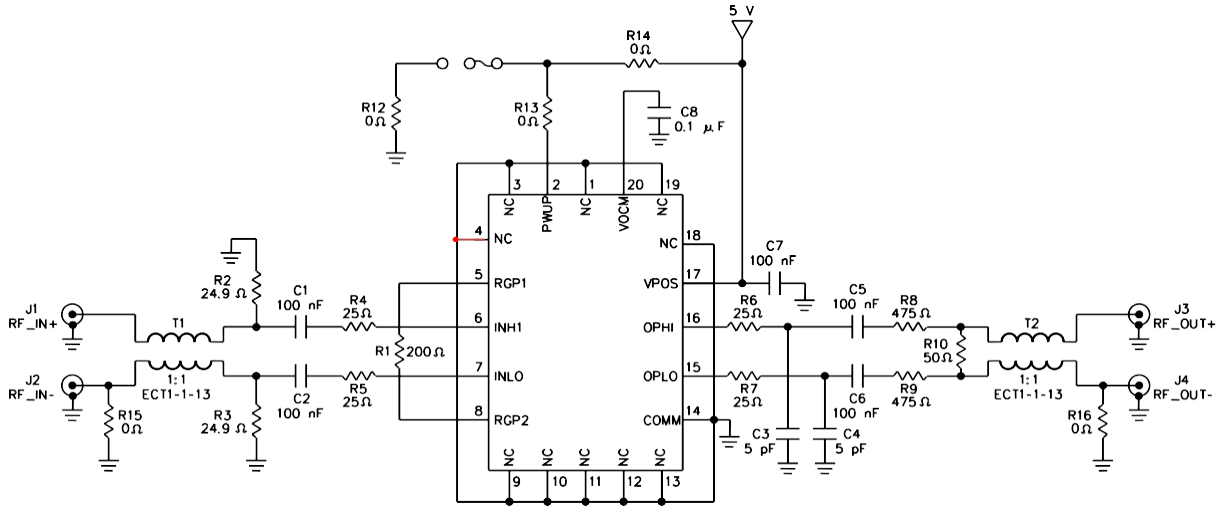


FIGURE 6. Recommended evaluation circuit configuration for single ended input to drive a differential load.

STANDARD MICROCIRCUIT DRAWING DLA LAND AND MARITIME COLUMBUS, OHIO 43218-3990	SIZE A		5962-08218
		REVISION LEVEL B	SHEET 20