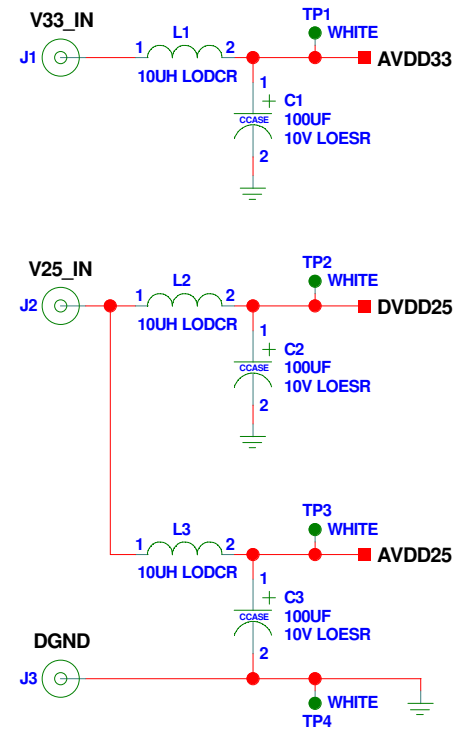
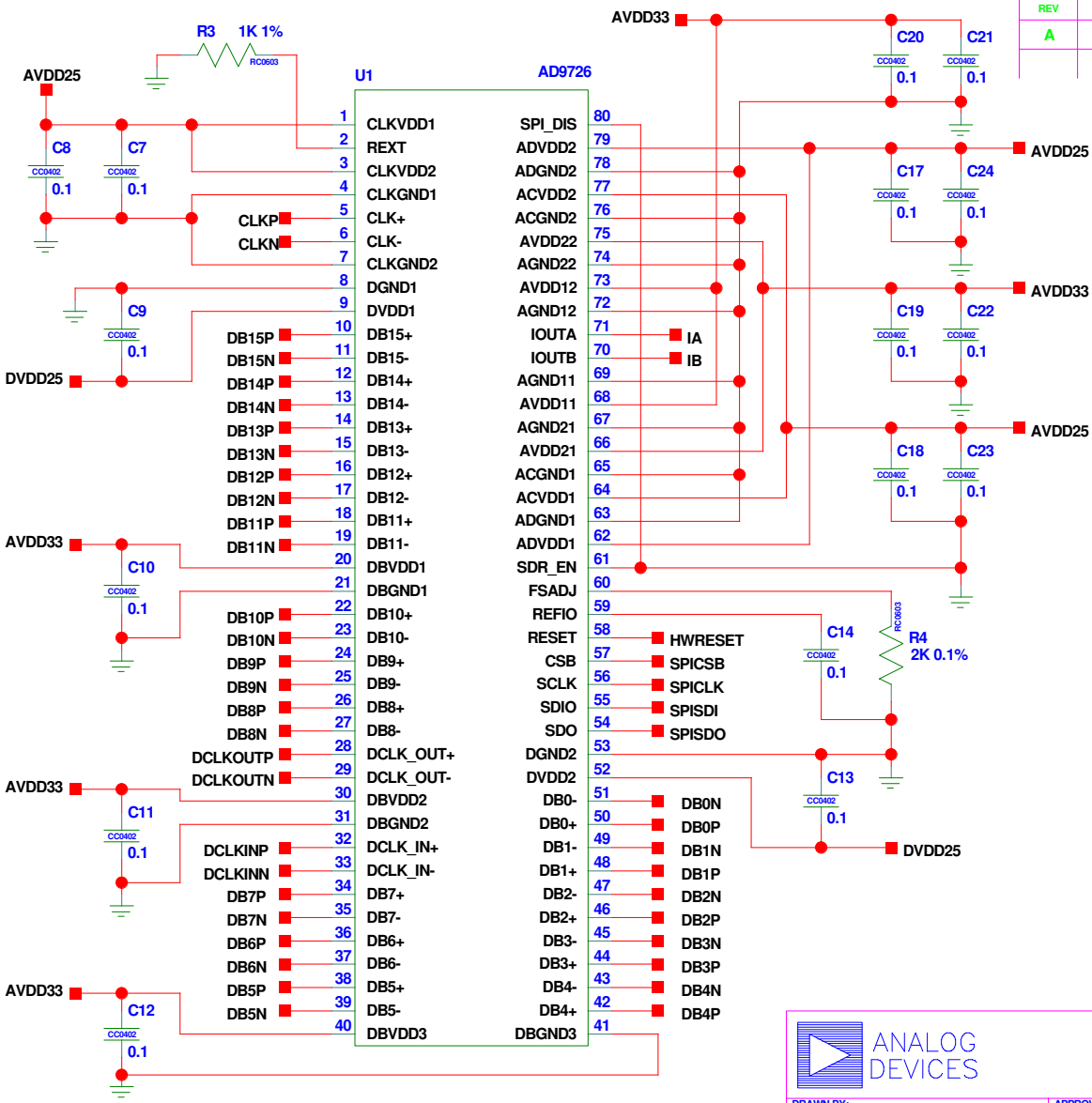


REVISIONS			
REV	DESCRIPTION	DATE	APPROVED
A	FOR ENGINEERING USE	-	-



	<b>WILMINGTON MANUFACTURING</b> 804 WOBURN STREET WILMINGTON, MA 01887	SIZE <b>B</b>	FSCM NO	DRAWING NUMBER <b>AD9726</b>	REV <b>H</b>
	DRAWN BY: <b>J. Collins</b>	APPROVED BY: <b>J.R. Marcin</b>	SCALE NONE	DO NOT SCALE	FILE DATE= 0307.18

D

C

B

A

4

3

2

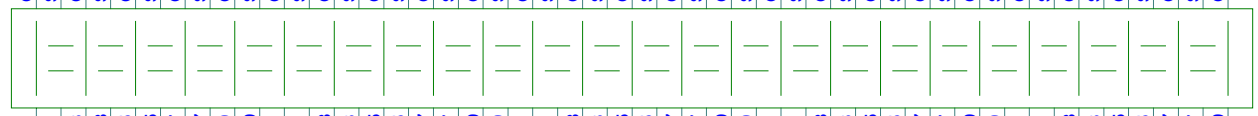
1

DB12N  
DB13N  
DB14N  
DB15N

L5  
10UH LODCR

L6  
10UH LODCR

DB15P  
DB14P  
DB13P  
DB12P



**J4**  
FCN-268F024-G/0D

DB11N  
DB10N  
DB9N  
DB8N  
DCLKOUTN  
DCLKINN  
DB7N  
DB6N  
DB5N  
DB4N  
DB3N  
DB2N  
DB1N  
DB0N

DB0P  
DB1P  
DB2P  
DB3P  
DB4P  
DB5P  
DB6P  
DB7P  
DCLKINP  
DCLKOUTP  
DB8P  
DB9P  
DB10P  
DB11P

