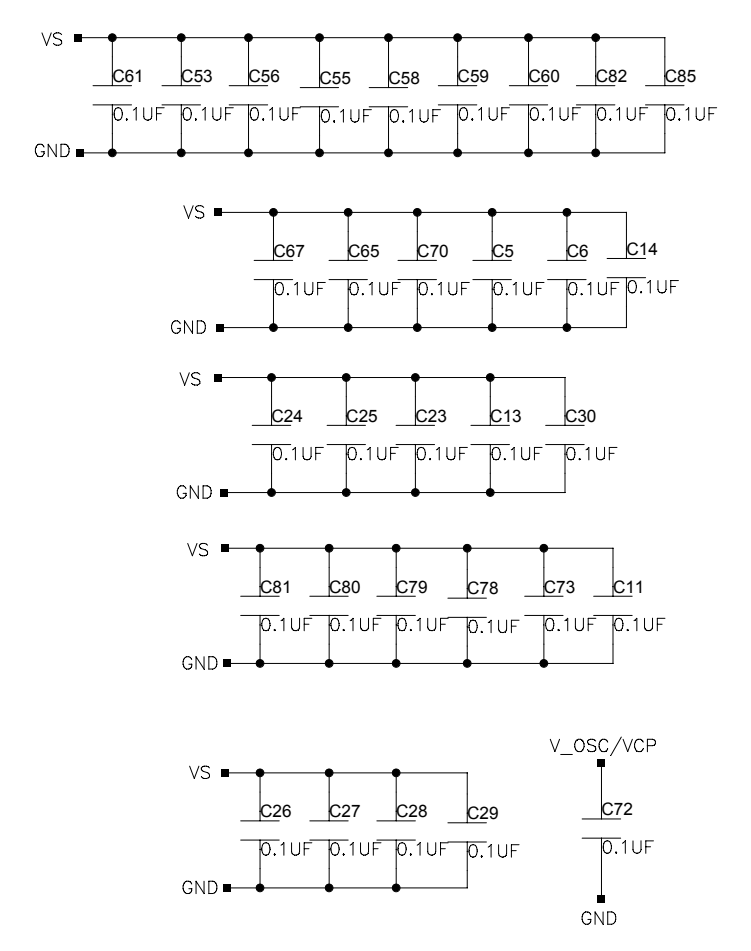
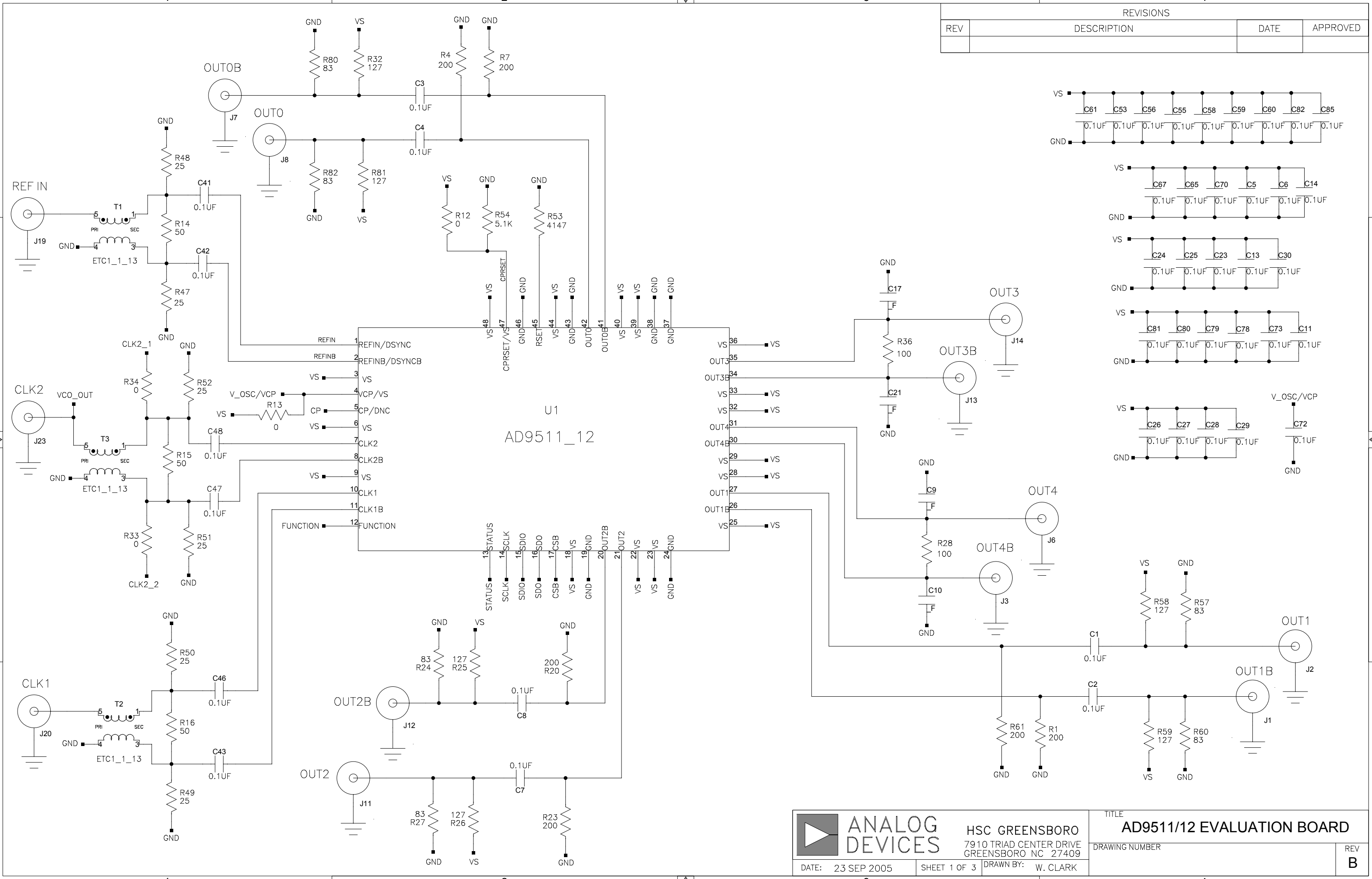
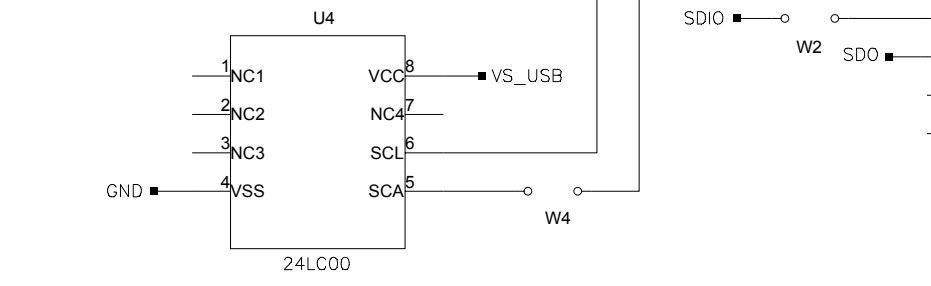
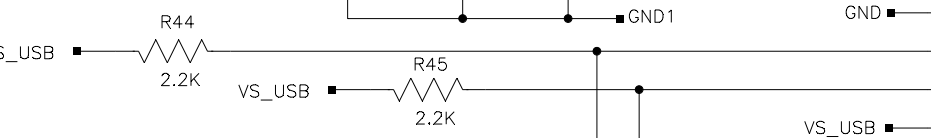
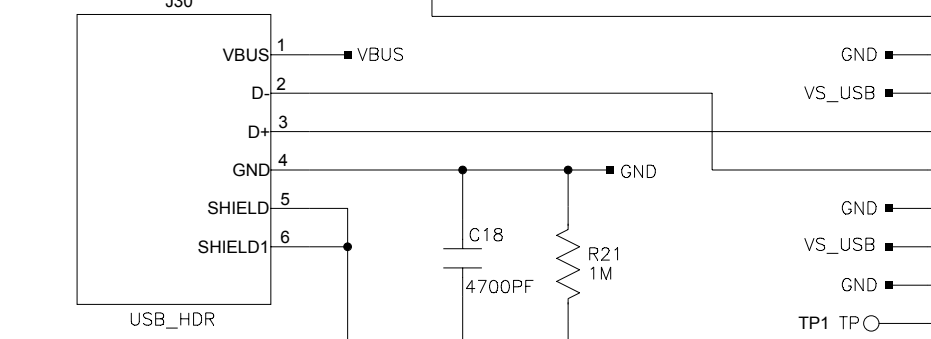
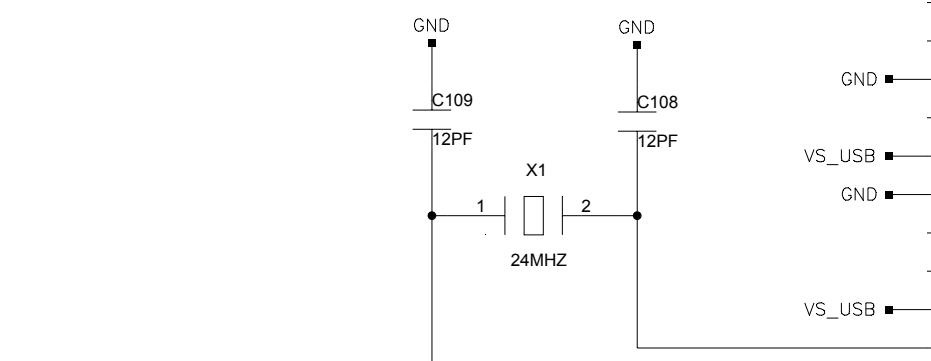
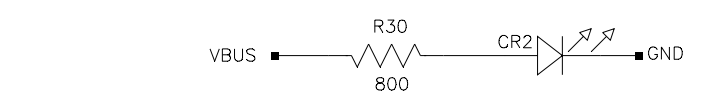
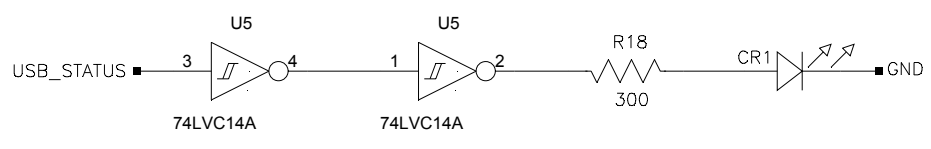


REVISIONS			
REV	DESCRIPTION	DATE	APPROVED

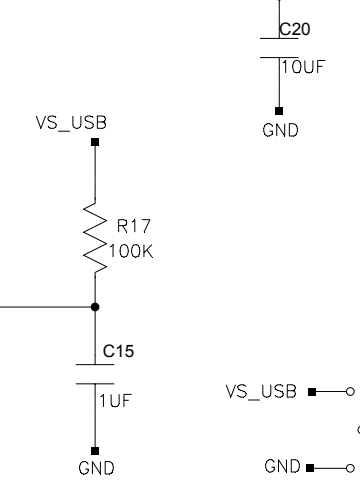
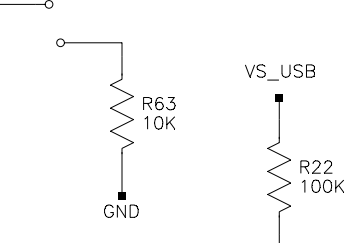
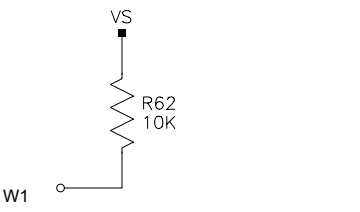
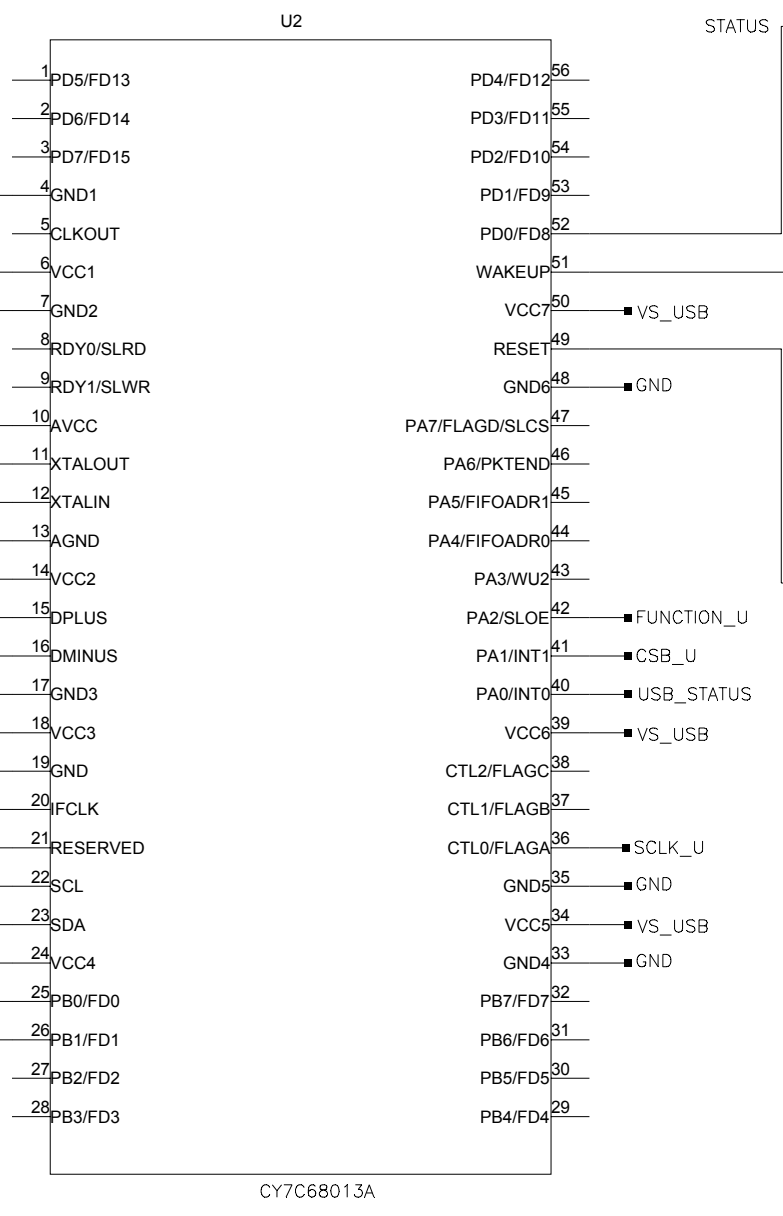


	HSC GREENSBORO 7910 TRIAD CENTER DRIVE GREENSBORO NC 27409	TITLE AD9511/12 EVALUATION BOARD	
	DATE: 23 SEP 2005	SHEET 1 OF 3	DRAWN BY: W. CLARK

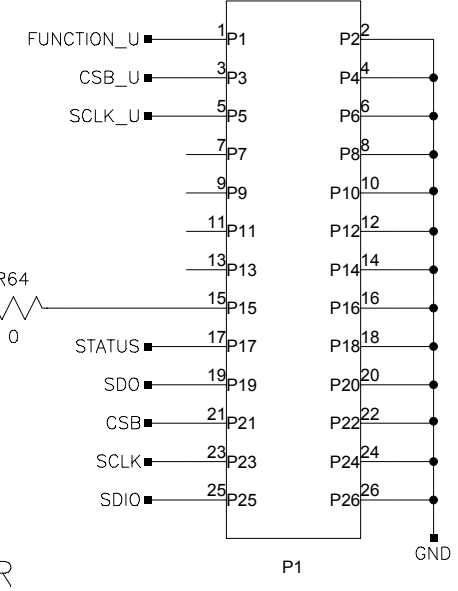
REVISIONS			
REV	DESCRIPTION	DATE	APPROVED



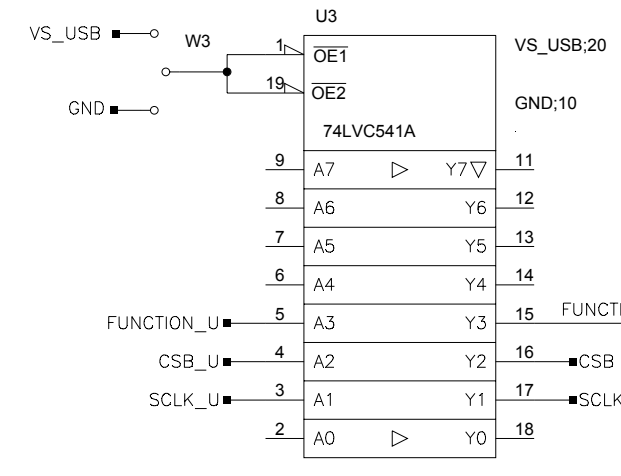
USB I/O



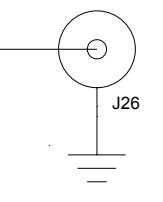
I/O HEADER



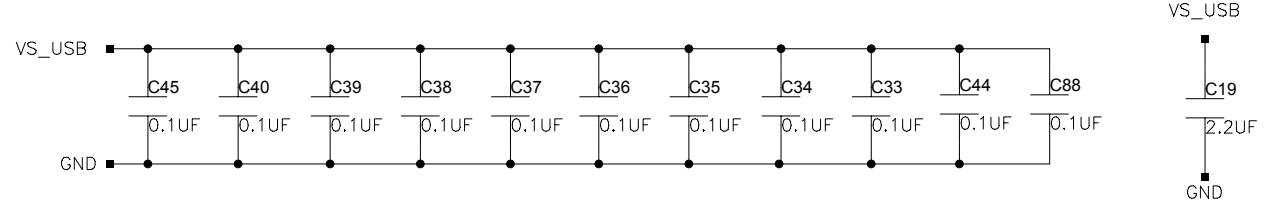
I/O BUFFER



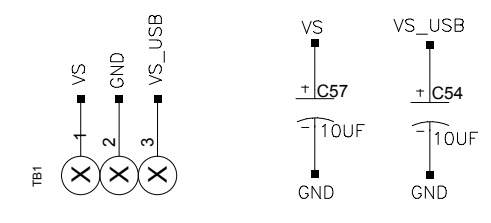
FUNCTION



USB BYPASS CAPACITORS

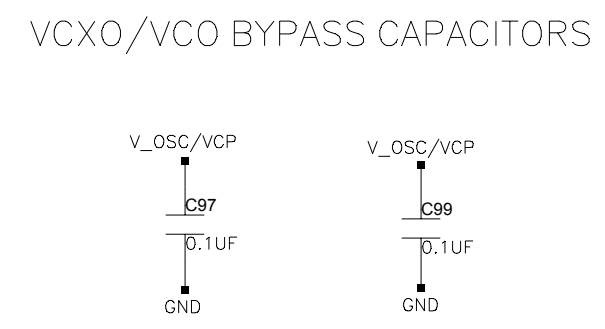
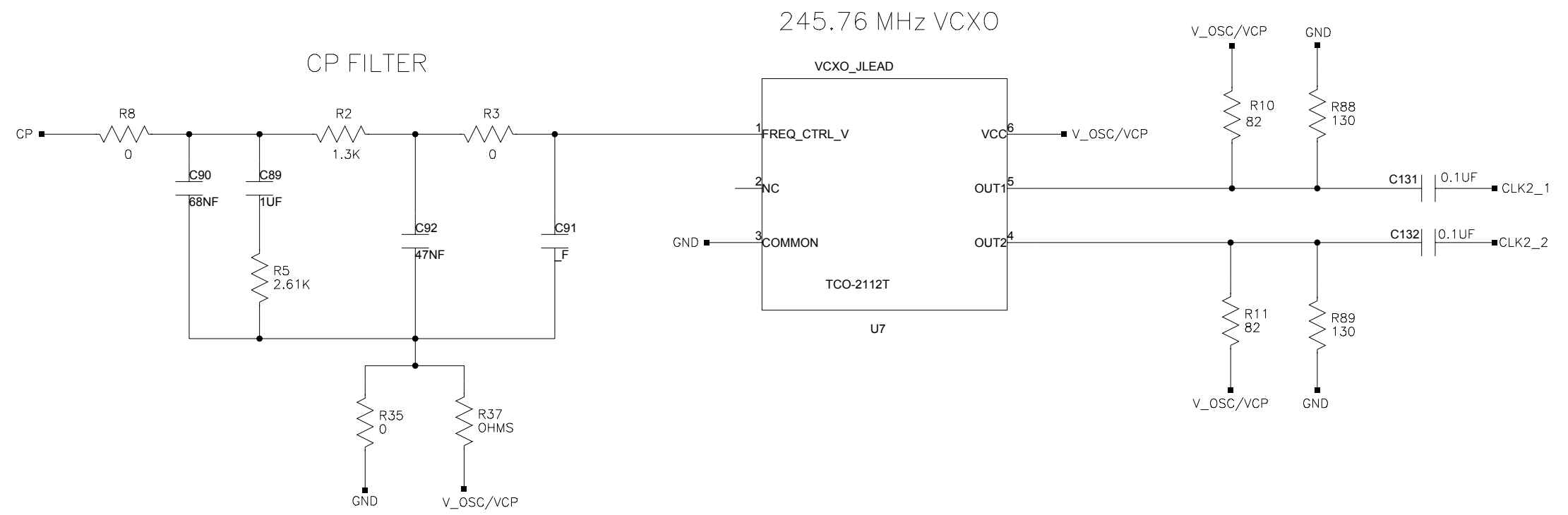
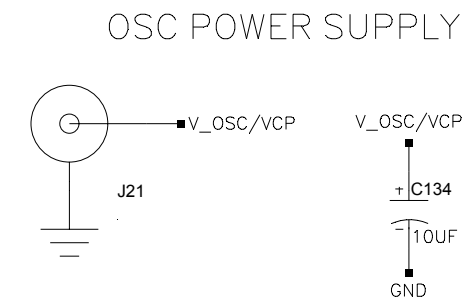
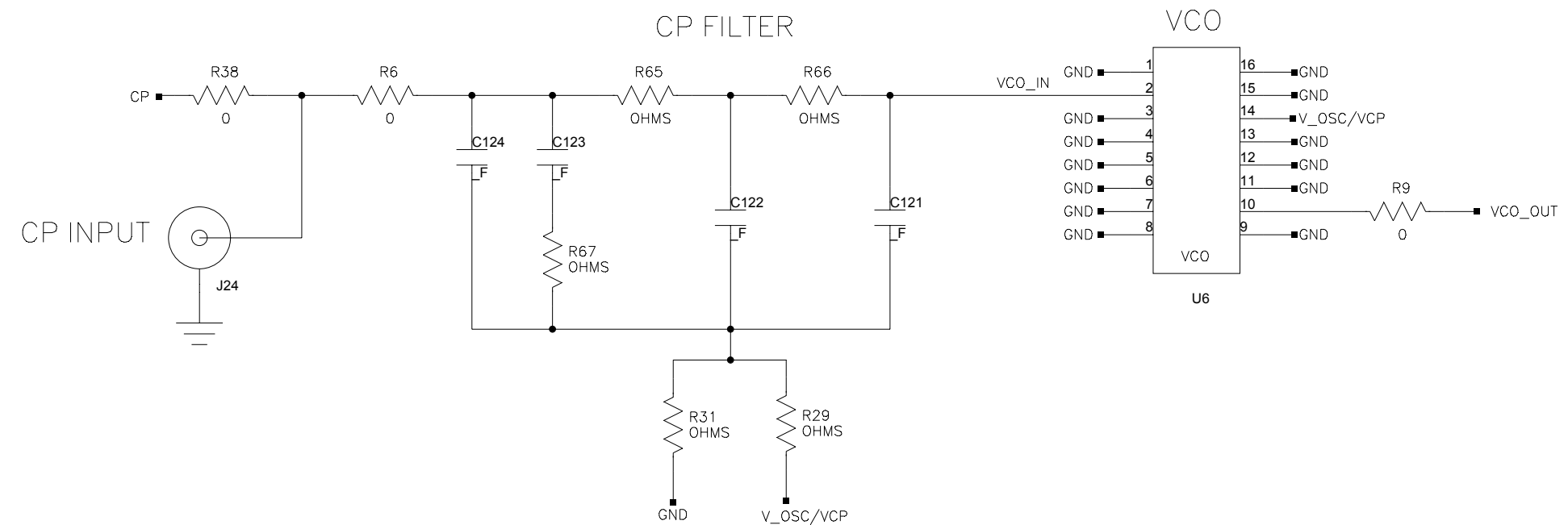


DUT POWER SUPPLY



	HSC GREENSBORO 7910 TRIAD CENTER DRIVE GREENSBORO NC 27409	TITLE AD9511/12 EVALUATION BOARD	
		DATE: 23 SEP 2005	SHEET 2 OF 3

REVISIONS			
REV	DESCRIPTION	DATE	APPROVED



	HSC GREENSBORO 7910 TRIAD CENTER DRIVE GREENSBORO NC 27409		TITLE AD9511/12 EVALUATION BOARD	
	DATE: 23 SEP 2005	SHEET 3 OF 3	DRAWN BY: W. CLARK	DRAWING NUMBER