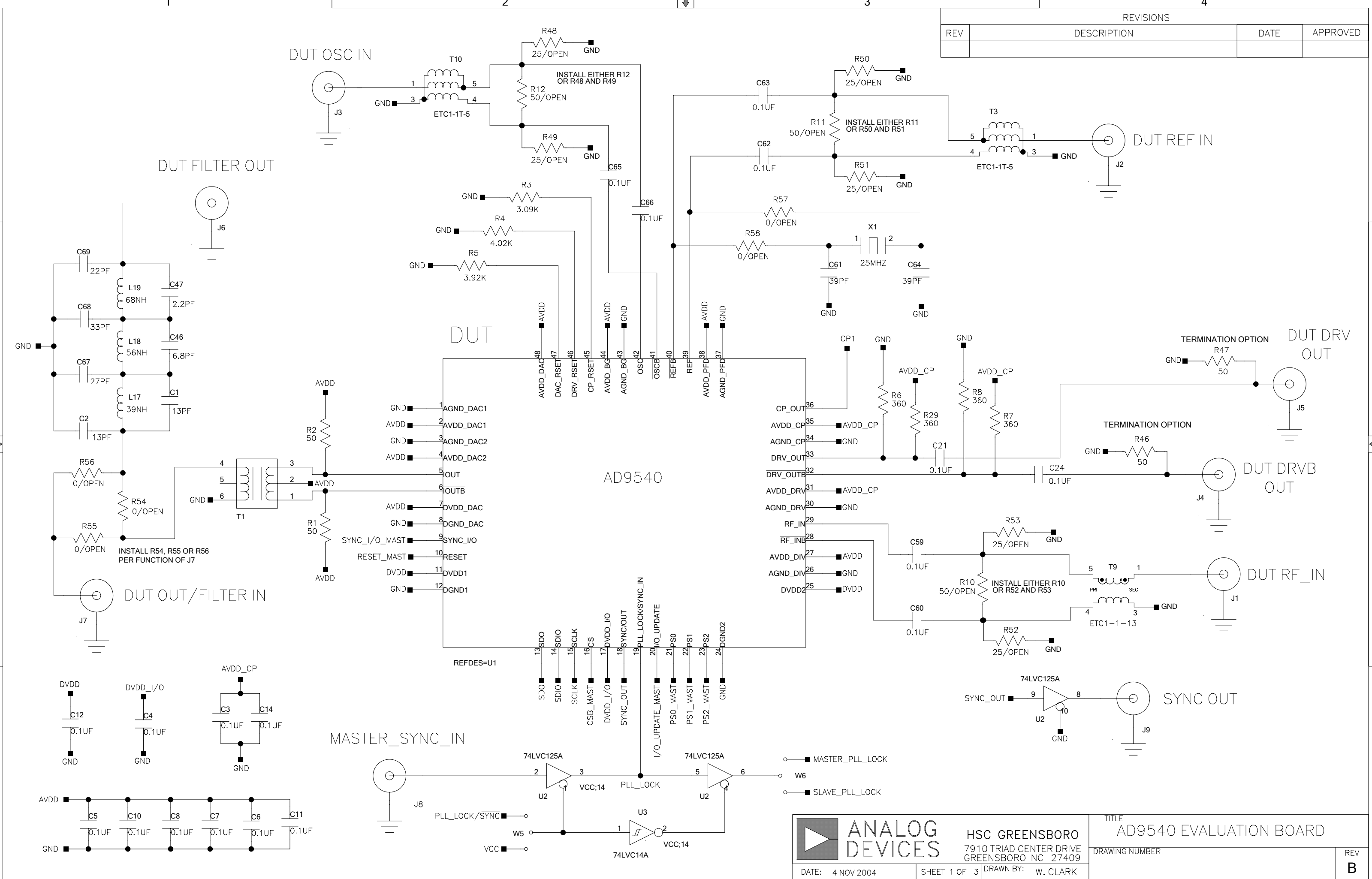
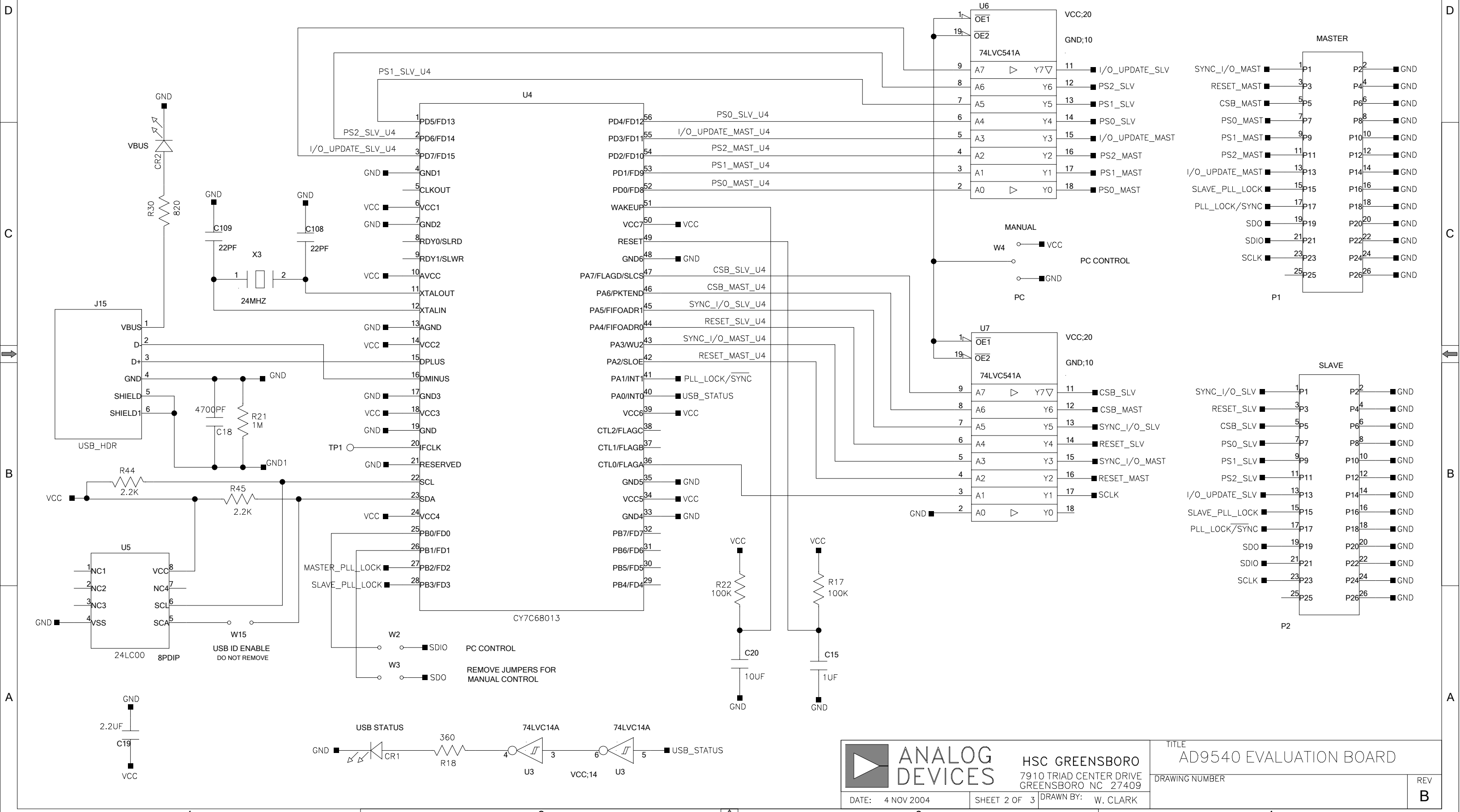


REVISIONS			
REV	DESCRIPTION	DATE	APPROVED



	<b>HSC GREENSBORO</b> 7910 TRIAD CENTER DRIVE GREENSBORO NC 27409	TITLE <b>AD9540 EVALUATION BOARD</b>	
	DATE: 4 NOV 2004	SHEET 1 OF 3	DRAWN BY: W. CLARK

REVISIONS			
REV	DESCRIPTION	DATE	APPROVED



	<b>HSC GREENSBORO</b> 7910 TRIAD CENTER DRIVE GREENSBORO NC 27409	TITLE <b>AD9540 EVALUATION BOARD</b>	
	DATE: 4 NOV 2004	SHEET 2 OF 3	DRAWN BY: W. CLARK

REVISIONS			
REV	DESCRIPTION	DATE	APPROVED

