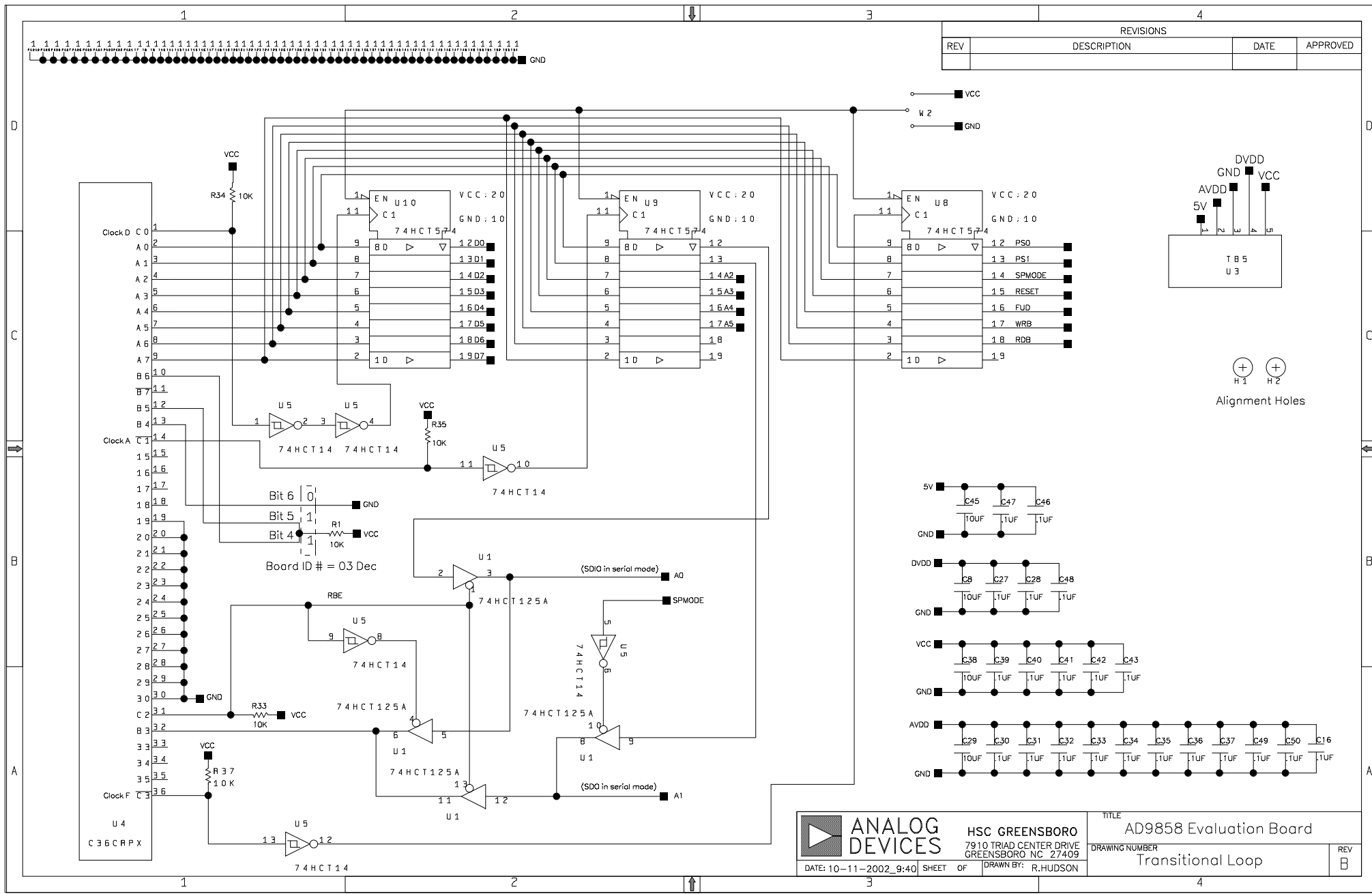


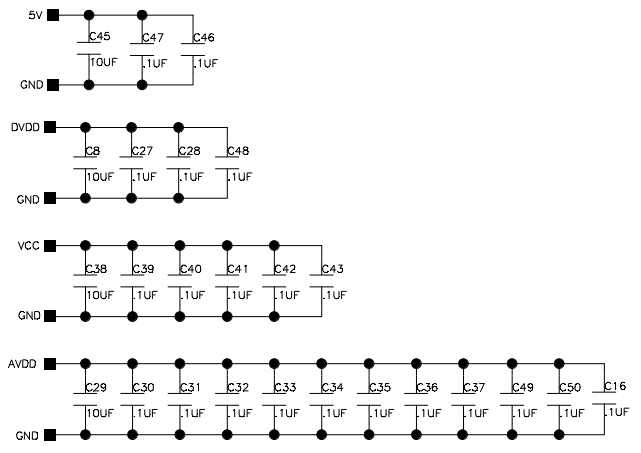
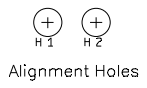
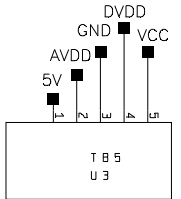
AD9858

REVISIONS			
REV	DESCRIPTION	DATE	APPROVED

	<b>HSC GREENSBORO</b> 7910 TRIAD CENTER DRIVE GREENSBORO NC 27409	<b>TITLE</b> AD9858 Evaluation Board	<b>REV</b> B
	DATE: 10-11-2002_9:39 SHEET 1 OF 2 DRAWN BY: R.HUDSON	<b>DRAWING NUMBER</b> Translation Loop	



REVISIONS			
REV	DESCRIPTION	DATE	APPROVED



	<b>ANALOG DEVICES</b> HSC GREENSBORO 7910 TRIAD CENTER DRIVE GREENSBORO, NC 27409	TITLE <b>AD9858 Evaluation Board</b>	REV <b>B</b>
	DATE: 10-11-2002_9:40 SHEET OF	DRAWN BY: R.HUDSON	DRAWING NUMBER <b>Transitional Loop</b>