

DS1886

带有数字LDD接口的 SFP和PON ONU控制器

概述

DS1886控制和监测SFF、SFP和SFP+模块的全部功能，包括用于GPON/EPON和10G PON ONU的SFF-8472的所有功能。DS1886和MAX3710相配合，支持所有发送器和接收器功能。DS1886包括调制电流控制和APC设置点控制，带有跟踪误差调节功能，连续监测RSSI，用于产生LOS信号。13位模/数转换器(ADC)用于监测V_{CC}、温度、激光器偏置、激光器调制和接收功率，以满足任何监测要求。采用差分方式测量接收功率，并允许高达V_{CC}的共模电压。内部9位数/模转换器(DAC)带有温度补偿功能，用于APD偏置控制。

应用

SFF、SFP和PON ONU模块

[订购信息](#)在数据资料的最后给出。

特性

- ◆ 满足SFF-8472的所有控制及监测需求
- ◆ 用于MAX3710激光驱动器/限幅放大器及MAX3945限幅放大器的伴随控制器
- ◆ MAX3710/DS1886的组合支持连续模式和PON应用的较宽频谱，高达2.5GHz
- ◆ 温度查找表(LUT)，可以补偿APC跟踪误差和双闭环变量
- ◆ 三种激光器控制模式
 - ◇ 双闭环：激光器偏置和激光调制自动受控于多个LUT，以补偿双闭环校准点
 - ◇ APC环路：自动控制激光器偏置，激光调制受控于温度LUT
 - ◇ 开环：激光器偏置和激光调制受控于温度LUT
- ◆ 13位ADC
 - ◇ 激光器偏置、激光功率和接收功率支持内部和外部校准
 - ◇ 差分接收功率输入
 - ◇ 可调整动态范围
 - ◇ 内部温度传感器直接进行数字转换
 - ◇ 所有被监测通道提供报警和告警标志
- ◆ 10位DAC，带有温度补偿功能用于APD偏置控制
- ◆ 数字I/O引脚：发送禁止输入/输出、速率选择输入、LOS输入/输出、发送故障指示输入/输出和IN1状态监测和故障指示输入
- ◆ 全面的故障检测系统，带有可屏蔽的报警/告警
- ◆ 灵活的加密方案提供三级安全保护
- ◆ 256字节A0h和128字节高地址字节A2h EEPROM
- ◆ I²C兼容接口
- ◆ 3线主控制器，用于与MAX3710/MAX3711激光驱动器/限幅放大器及MAX3945限幅放大器通信

DS1886

带有数字LDD接口的 SFP和PON ONU控制器

目录

概述	1
应用	1
特性	1
Absolute Maximum Ratings	10
Recommended Operating Conditions	10
DC Electrical Characteristics	10
DAC Electrical Characteristics	11
Analog Voltage Monitoring Characteristics	11
Digital Thermometer Characteristics	11
AC Electrical Characteristics	12
Startup Timing Characteristics	12
3-Wire Digital Interface Specification	12
I ² C AC Electrical Characteristics	13
Nonvolatile Memory Characteristics	13
典型工作特性	14
引脚配置	15
引脚说明	15
方框图	16
典型工作电路——GPON ONU	17
典型工作电路——10G PON ONU	18
详细说明	19
监测器和故障检测	19
监测器	19
ADC监测器和报警	20
报警和告警	20
ADC时序	20
ADC结果右移	21
RSSI差分输入	21
通过TXMON测量激光器偏置和激光功率	21
增强RSSI监测(双量程功能)	22
APD模式	22
PIN模式	22
低压工作	23
上电模拟电路(POA)	24
Δ - Σ 输出和基准	24
数字I/O引脚	25

DS1886

带有数字LDD接口的 SFP和PON ONU控制器

目录(续)

LOS, LOSOUT	26
RSEL.....	26
TXD, TXDOUT	26
IN1、TXF、发送故障指示(TXFOUT)输出	26
裸片标识	27
DS1886主控制器通信接口	28
3线主控接口.....	28
协议	28
3线从寄存器映射和DS1886对应位置	29
3线主控制器流程图.....	29
3线上电复位.....	31
DS1886的MAX3710工作模式	32
开环模式, DPC_EN = 0、APC_EN = 0	32
APC环路模式, DPC_EN = 0、APC_EN = 1	32
双闭环模式, DPC_EN = 1、APC_EN = 1	32
BIAS, MODULATION, SET_2XAPC, TXCTRL5 LUTs	32
MODULATION值	34
BIAS值	34
功率水平调节.....	35
MAX3710手动操作	35
I ² C通信	35
I ² C定义	35
I ² C协议	37
存储器结构	38
寄存器说明	40
A2h低地址字节存储器寄存器.....	40
A2h表01h寄存器	40
A2h表02h寄存器	41
A2h表04h寄存器	42
A2h表05h寄存器	42
A2h表06h寄存器	42
A2h表08h寄存器	43
A2h表09h寄存器	43
辅助存储器A0h寄存器	43
A2h低地址字节存储器寄存器说明	44
A2h低地址字节存储器, 寄存器00h–01h: TEMP ALARM HI.....	44

DS1886

带有数字LDD接口的 SFP和PON ONU控制器

目录(续)

A2h低地址字节存储器, 寄存器04h–05h: TEMP WARN HI.	44
A2h低地址字节存储器, 寄存器02h–03h: TEMP ALARM LO	44
A2h低地址字节存储器, 寄存器06h–07h: TEMP WARN LO	44
A2h低地址字节存储器, 寄存器08h–09h: V _{CC} ALARM HI.	45
A2h低地址字节存储器, 寄存器0Ch–0Dh: V _{CC} WARN HI	45
A2h低地址字节存储器, 寄存器10h–11h: TXB ALARM HI	45
A2h低地址字节存储器, 寄存器14h–15h: TXB WARN HI	45
A2h低地址字节存储器, 寄存器18h–19h: TXP ALARM HI	45
A2h低地址字节存储器, 寄存器1Ch–1Dh: TXP WARN HI.	45
A2h低地址字节存储器, 寄存器20h–21h: RSSI ALARM HI.	45
A2h低地址字节存储器, 寄存器24h–25h: RSSI WARN HI.	45
A2h低地址字节存储器, 寄存器0Ah–0Bh: V _{CC} ALARM LO.	46
A2h低地址字节存储器, 寄存器0Eh–0Fh: V _{CC} WARN LO.	46
A2h低地址字节存储器, 寄存器12h–13h: TXB ALARM LO.	46
A2h低地址字节存储器, 寄存器16h–17h: TXB WARN LO.	46
A2h低地址字节存储器, 寄存器1Ah–1Bh: TXP ALARM LO	46
A2h低地址字节存储器, 寄存器1Eh–1Fh: TXP WARN LO.	46
A2h低地址字节存储器, 寄存器22h–23h: RSSI ALARM LO	46
A2h低地址字节存储器, 寄存器26h–27h: RSSI WARN LO	46
A2h低地址字节存储器, 寄存器28h–37h: EMPTY.	47
A2h低地址字节存储器, 寄存器38h–5Fh: EE.	47
A2h低地址字节存储器, 寄存器60h–61h: TEMP VALUE.	47
A2h低地址字节存储器, 寄存器62h–63h: V _{CC} VALUE.	48
A2h低地址字节存储器, 寄存器64h–65h: TXB VALUE	48
A2h低地址字节存储器, 寄存器66h–67h: TXP VALUE	48
A2h低地址字节存储器, 寄存器68h–69h: RSSI VALUE.	48
A2h低地址字节存储器, 寄存器6Ah–6Dh: 保留.	48
A2h低地址字节存储器, 寄存器6Eh: 状态.	49
A2h低地址字节存储器, 寄存器6Fh: UPDATE.	50
A2h低地址字节存储器, 寄存器70h: ALARM ₃	51
A2h低地址字节存储器, 寄存器71h: ALARM ₂	52
A2h低地址字节存储器, 寄存器72h–73h: 保留.	52
A2h低地址字节存储器, 寄存器74h: WARN ₃	53
A2h低地址字节存储器, 寄存器75h: WARN ₂	54
A2h低地址字节存储器, 寄存器76h–7Ah: 保留.	54

DS1886

带有数字LDD接口的 SFP和PON ONU控制器

目录(续)

A2h低地址字节存储器, 寄存器7Bh–7Eh: PASSWORD ENTRY (PWE).....	55
A2h低地址字节存储器, 寄存器7Fh: TBL SEL.....	55
A2h表01h寄存器说明.....	56
A2h表01h, 寄存器80h–BFh: EEPROM.....	56
A2h表01h, 寄存器C0h–F7h: EEPROM.....	56
A2h表01h, 寄存器F8h: ALARM EN ₃	57
A2h表01h, 寄存器F9h: ALARM EN ₂	58
A2h表01h, 寄存器FAh–FBh: 保留.....	58
A2h表01h, 寄存器FCh: WARN EN ₃	59
A2h表01h, 寄存器FDh: WARN EN ₂	60
A2h表01h, 寄存器FEh–FFh: 保留或EE.....	60
A2h表02h寄存器说明.....	61
A2h表02h, 寄存器80h: MODE.....	61
A2h表02h, 寄存器81h: Temperature Index (TINDEX).....	62
A2h表02h, 寄存器82h–83h: MODULATION VALUE.....	62
A2h表02h, 寄存器84h: 保留.....	62
A2h表02h, 寄存器85h: APC VALUE.....	63
A2h表02h, 寄存器86h–87h: SET_IBIAS VALUE.....	63
A2h表02h, 寄存器88h: DACFS.....	63
A2h表02h, 寄存器89h: CNFGA.....	64
A2h表02h, 寄存器8Ah: CNFGB.....	65
A2h表02h, 寄存器8Bh: CNFGC.....	66
A2h表02h, 寄存器8Ch: 保留.....	66
A2h表02h, 寄存器8Dh: CNFGD.....	67
A2h表02h, 寄存器8Eh: RIGHT-SHIFT1 (RSHIFT ₁).....	67
A2h表02h, 寄存器8Fh: RIGHT-SHIFT0 (RSHIFT ₀).....	68
A2h表02h, 寄存器90h–91h: XOVER COARSE.....	68
A2h表02h, 寄存器92h–93h: VCC SCALE 6.....	69
A2h表02h, 寄存器94h–95h: TXB SCALE.....	69
A2h表02h, 寄存器96h–97h: TXP SCALE.....	69
A2h表02h, 寄存器98h–99h: RSSI FINE SCALE.....	69
A2h表02h, 寄存器9Ah–9Bh: 保留.....	69
A2h表02h, 寄存器9Ch–9Dh: RSSI COARSE SCALE.....	69
A2h表02h, 寄存器9Eh–9Fh: 保留.....	69
A2h表02h, 寄存器A0h–A1h: XOVER FINE.....	70
A2h表02h, 寄存器A2h–A3h: V _{CC} OFFSET.....	70

DS1886

带有数字LDD接口的 SFP和PON ONU控制器

目录(续)

A2h表02h, 寄存器A4h–A5h: TXB OFFSET.....	70
A2h表02h, 寄存器A6h–A7h: TXP OFFSET.....	70
A2h表02h, 寄存器A8h–A9h: RSSI FINE OFFSET.....	70
A2h表02h, 寄存器AAh–ABh: 保留.....	70
A2h表02h, 寄存器ACh–ADh: RSSI COARSE OFFSET.....	70
A2h表02h, 寄存器AEh–AFh: INTERNAL TEMP OFFSET.....	71
A2h表02h, 寄存器B0h–B3h: PW1.....	71
A2h表02h, 寄存器B4h–B7h: PW2.....	72
A2h表02h, 寄存器B8h–BFh: EMPTY.....	72
A2h表02h, 寄存器C0h: PW_ENA.....	73
A2h表02h, 寄存器C1h: PW_ENB.....	74
A2h表02h, 寄存器C2h–C6h: 保留.....	75
A2h表02h, 寄存器C7h: TBLSELPON.....	75
A2h表02h, 寄存器C8h–C9h: DAC VALUE.....	75
A2h表02h, 寄存器CAh: INCBYTE.....	76
A2h表02h, 寄存器CBh: TXCTRL5 DPC.....	76
A2h表02h, 寄存器CCh: IMODMAX.....	76
A2h表02h, 寄存器CDh: IBIASMAX.....	77
A2h表02h, 寄存器CEh: DEVICE ID.....	77
A2h表02h, 寄存器CFh: DEVICE VER.....	77
A2h表02h, 寄存器D0h–DFh: EMPTY.....	78
A2h表02h, 寄存器E0h: RXCTRL.....	78
A2h表02h, 寄存器E1h: RXCTRL.....	78
A2h表02h, 寄存器E2h: SETCML.....	79
A2h表02h, 寄存器E3h: SETLOSH.....	79
A2h表02h, 寄存器E4h: TXCTRL1.....	79
A2h表02h, 寄存器E5h: TXCTRL2.....	80
A2h表02h, 寄存器E6h: TXCTRL3.....	80
A2h表02h, 寄存器E7h: TXCTRL4.....	80
A2h表02h, 寄存器E8h: TXCTRL5 APC OL.....	81
A2h表02h, 寄存器E9h: TXCTRL6.....	81
A2h表02h, 寄存器EAh: TXCTRL7.....	81
A2h表02h, 寄存器EBh: 保留.....	82
A2h表02h, 寄存器ECh: SETLOSH_3945.....	82
A2h表02h, 寄存器EDh: SETLOSL_3945.....	82
A2h表02h, 寄存器EEh: SETLOSTIMER_3945.....	83

DS1886

带有数字LDD接口的 SFP和PON ONU控制器

目录(续)

A2h表02h, 寄存器EFh: 3WSET	83
A2h表02h, 寄存器F0h: 3WCTRL	84
A2h表02h, 寄存器F1h: 地址	84
A2h表02h, 寄存器F2h: WRITE	85
A2h表02h, 寄存器F3h: READ	85
2h表02h, 寄存器F4h: TXSTAT2	85
A2h表02h, 寄存器F5h: TXSTAT1	86
A2h表02h, 寄存器F6h: DPCSTAT	86
A2h表02h, 寄存器F7h: RXSTAT	86
A2h表02h, 寄存器F8h–FFh: 保留	86
A2h表04h寄存器说明	87
A2h表04h, 寄存器80h–A7h: MODULATION或TXCTRL5 LUT	87
A2h表04h, 寄存器A8h–EFh: EMPTY	87
A2h表04h, 寄存器F0h–F7h: MOD MAX LUT	87
A2h表04h, 寄存器F8h–FFh: MOD OFFSET或SET_IMOD LUT	88
A2h表06h寄存器说明	88
A2h表06h, 寄存器80h–A7h: BIAS或SET_IBIAS	88
A2h表06h, 寄存器A8h–EFh: EMPTY	89
A2h表06h, 寄存器F0h–F7h: BIAS MAX LUT	89
A2h表06h, 寄存器F8h–FFh: BIAS OFFSET或APC LUT	89
A2h表08h寄存器说明	90
A2h表08h, 寄存器80h–F7h: EMPTY	90
A2h表08h, 寄存器F8h–FFh: INCBYTE	90
A2h表09h寄存器说明	90
A2h表09h, 寄存器80h–F7h: EMPTY	90
A2h表09h, 寄存器F8h–FFh: DAC OFFSET LUT	90
辅助存储器A0h寄存器说明	91
辅助存储器A0h, 寄存器00h–FFh: EEPROM	91
应用信息	91
电源去耦	91
布局考虑	91
SDA和SCL上拉电阻	91
订购信息	91
封装信息	91
修订历史	92

DS1886

带有数字LDD接口的 SFP和PON ONU控制器

图示目录

图1a. 当表02h, 寄存器89h中BURST_MODE = 1时, ADC通道仅用于TXP	19
图1b. ADC通道	19
图2. ADC轮询时序	21
图3. RSSI差分输入, 用于高边RSSI	21
图4. 通过TXMON监测激光器偏置(TXB)和激光器功率(TXP)	22
图5. APD模式下的RSSI	22
图6. PIN模式下的RSSI	23
图7. 低压滞回示例	24
图8. 推荐的DAC输出分流基准和RC滤波器	25
图9. Δ - Σ 输出	25
图10. TXFOUT和TXDOUT逻辑框图	26
图11. RSEL逻辑框图	26
图12a. TXFOUT非锁存操作	27
图12b. TXFOUT锁存操作	27
图12c. 上电期间的TXFOUT	27
图13. 3线接口时序图	28
图14. 3线流程图	30
图15. MAX3710掉电检测流程图	31
图16. 失调LUT	34
图17. MODULATION LUT (开环和APC模式)	34
图18. BIAS LUT (开环)	34
图19. I ² C时序图	36
图20. I ² C时序举例	37
图21. 存储器结构	39

DS1886

带有数字LDD接口的 SFP和PON ONU控制器

表格目录

表1. 缩写表	19
表2. ADC默认的监测器满量程范围	20
表3. RSSI滞回门限	23
表4. RSSI配置寄存器	23
表5. 3线通信细节	28
表6. 3线寄存器映射和DS1886对应位置	29
表7. 开环、APC环路及双闭环模式下的DS1886 LUT功能	32
表8. DS1886 LUT存储器映射(4行表, 温度值单位为°C)	33
表9. DS1886 LUT存储器映射(4行表, TINDEX值为十六进制)	33
表10. DS1886 LUT存储器映射(5行表, 温度值单位为°C)	33
表11. DS1886 LUT存储器映射(5行表, TINDEX值为十六进制)	33
表12. 用于失调的温度分辨率	34
表13a. 功率定标详情(DS1863_MODE = 0时, 默认值)	35
表13b. 功率定标详情(DS1863_MODE = 1时)	35

DS1886

帶有數字LDD接口的 SFP和PON ONU控制器

ABSOLUTE MAXIMUM RATINGS

(All voltages relative to ground.)

Voltage Range on IN1, DAC, LOS, RSSIP, RSSIN,
REFIN, RSEL, TXF, TXMON, TXD..... -0.5V to ($V_{CC} + 0.5V$)
(subject to not exceeding +6V)

Voltage Range on V_{CC} , SDA, SCL, TXFOUT
and LOSOUT-0.5V to +6V

Continuous Power Dissipation ($T_A = +70^\circ\text{C}$)

TQFN (derate 28.6mW/ $^\circ\text{C}$ above $+70^\circ\text{C}$).....2285.7mW

Operating Temperature Range..... -40°C to $+95^\circ\text{C}$

Programming Temperature Range 0°C to $+95^\circ\text{C}$

Storage Temperature Range..... -55°C to $+125^\circ\text{C}$

Lead Temperature (soldering, 10s) $+300^\circ\text{C}$

Soldering Temperature (reflow) $+260^\circ\text{C}$

Stresses beyond those listed under "Absolute Maximum Ratings" may cause permanent damage to the device. These are stress ratings only, and functional operation of the device at these or any other conditions beyond those indicated in the operational sections of the specifications is not implied. Exposure to absolute maximum rating conditions for extended periods may affect device reliability.

RECOMMENDED OPERATING CONDITIONS

($T_A = -40^\circ\text{C}$ to $+95^\circ\text{C}$, unless otherwise noted.) (Note 1)

PARAMETER	SYMBOL	CONDITIONS	MIN	TYP	MAX	UNITS
Main Supply Voltage	V_{CC}	(Note 2)	2.97		3.63	V
High-Level Input Voltage (SDA, SCL, SDAOUT)	$V_{IH:1}$		0.7 x V_{CC}		$V_{CC} + 0.3$	V
Low-Level Input Voltage (SDA, SCL, SDAOUT)	$V_{IL:1}$		-0.3		$+0.3 \times V_{CC}$	V
High-Level Input Voltage (IN1, LOS, RSEL, TXD, TXF)	$V_{IH:2}$		2.0		$V_{CC} + 0.3$	V
Low-Level Input Voltage (IN1, LOS, RSEL, TXD, TXF)	$V_{IL:2}$		-0.3		+0.8	V

DC ELECTRICAL CHARACTERISTICS

($V_{CC} = +2.97V$ to $+3.63V$, $T_A = -40^\circ\text{C}$ to $+95^\circ\text{C}$, unless otherwise noted.) (Note 1)

PARAMETER	SYMBOL	CONDITIONS	MIN	TYP	MAX	UNITS
Supply Current	I_{CC}	(Notes 2, 3)		0.7	2	mA
Output Leakage (LOSOUT, SDA, SDAOUT, TXFOUT)	I_{LO}				1	μA
Low-Level Output Voltage (CSEL1OUT, CSEL2OUT, LOSOUT, SDA, SDAOUT, SCLOUT, TXDOUT, TXFOUT)	V_{OL}	$I_{OL} = 4\text{mA}$			0.4	V
		$I_{OL} = 6\text{mA}$			0.6	
High-Level Output Voltage (CSEL1OUT, CSEL2OUT, SCLOUT, SDAOUT, TXDOUT)	V_{OH}	$I_{OH} = 4\text{mA}$	$V_{CC} - 0.4$			V
Input Leakage Current (IN1, LOS, RSEL, SCL, TXD, TXF)	I_{LI}				1	μA
Digital Power-On Reset	POD		1.6		2.6	V
Analog Power-On Reset	POA	POA > POD by design	2.2		2.8	V

DS1886

帶有數字LDD接口的 SFP和PON ONU控制器

DAC ELECTRICAL CHARACTERISTICS

($V_{CC} = +2.97V$ to $+3.63V$, $T_A = -40^{\circ}C$ to $+95^{\circ}C$, unless otherwise noted.) (Note 1)

PARAMETER	SYMBOL	CONDITIONS	MIN	TYP	MAX	UNITS
Delta-Sigma Input Clock Frequency	f_{DS}			2.1		MHz
Reference Voltage Input (REFIN)	V_{REFIN}	Minimum 0.1 μ F to GND	2		V_{CC}	V
Output Range			0		V_{REFIN}	V
Output Resolution		See the <i>Delta-Sigma Output and Reference</i> section for details (DAC FS[9:2] = FFh)			10	Bits
Output Impedance	R_{DS}	$V_{REFIN} = 2.5V$		45	100	Ω
Recovery After Power-Up	t_{INIT_DAC}	From $V_{CC} > V_{CC}$ LO alarm or warning				ms

ANALOG VOLTAGE MONITORING CHARACTERISTICS

($V_{CC} = +2.97V$ to $+3.63V$, $T_A = -40^{\circ}C$ to $+95^{\circ}C$, unless otherwise noted.) (Note 1)

PARAMETER	SYMBOL	CONDITIONS	MIN	TYP	MAX	UNITS
ADC Resolution		(Note 4)		13		Bits
INL		$T_A = +25^{\circ}C$	-3		+3	LSB
DNL			-1		+1	LSB
Update Rate for Temperature, TXMON (TXB/TXP), RSSIP-RSSIN, V_{CC}	t_{RR}	RSSIP-RSSIN requires only a coarse conversion (Note 5)		30		ms
Update Rate for RSSIP-RSSIN	$t_{R/R2}$	RSSIP-RSSIN requires a fine conversion		36		ms
Input/Supply Offset (TXMON, RSSIP, RSSIN, V_{CC})	V_{OS}	(Notes 5, 6)	-1	0	+1	LSB
Factory Setting Full Scale		TXMON and RSSIP-RSSIN coarse (Notes 6, 7)		2.5		V
		V_{CC} (Note 7)		6.5536		
		RSSIP-RSSIN fine (Note 7)		312.5		μ V
Temperature LSB Weighting				1/256		$^{\circ}C$

DIGITAL THERMOMETER CHARACTERISTICS

($V_{CC} = +2.97V$ to $+3.63V$, $T_A = -40^{\circ}C$ to $+95^{\circ}C$, unless otherwise noted.) (Note 1)

PARAMETER	SYMBOL	CONDITIONS	MIN	TYP	MAX	UNITS
Thermometer Error	T_{ERR}	$-40^{\circ}C$ to $+95^{\circ}C$, guaranteed by design	-3		+3	$^{\circ}C$

DS1886

帶有數字LDD接口的 SFP和PON ONU控制器

AC ELECTRICAL CHARACTERISTICS

($V_{CC} = +2.97V$ to $+3.63V$, $T_A = -40^{\circ}C$ to $+95^{\circ}C$, unless otherwise noted.) (Note 1)

PARAMETER	SYMBOL	CONDITIONS	MIN	TYP	MAX	UNITS
TXD Rising Edge to Fault Clear	t_{OFF}	From \uparrow TXD (Notes 8, 9)			5	μs
TXD Falling Edge to TXDOUT Falling	t_{ON}	From \downarrow TXD (Note 10)			5	μs
Recovery After Power-Up: MAX3710	t_{INIT_3710}	From $\uparrow V_{CC} > POA$ (Note 11)		1		ms
Recovery After Power-Up: MAX3710 and MAX3945	t_{INIT_3945}	From $\uparrow V_{CC} > V_{CC}$ LO alarm or warning (Note 12)		1		ms
Fault Assert Time (to TXFOUT = 1)	t_{INITR1}	From \downarrow TXD		30		ms
Fault Reset Time at Power-On (to TXFOUT = 0)	t_{INITR2}	From $\uparrow V_{CC} > POA$, Figure 12c (Note 13)		12.5		ms

STARTUP TIMING CHARACTERISTICS

($V_{CC} = +2.97V$ to $+3.63V$, $T_A = -40^{\circ}C$ to $+95^{\circ}C$, unless otherwise noted.) (Note 1)

PARAMETER	SYMBOL	CONDITIONS	MIN	TYP	MAX	UNITS
Output Enable Time Following POA	t_{INIT}	(Notes 13, 14)		13		ms

3-WIRE DIGITAL INTERFACE SPECIFICATION

($V_{CC} = +2.97V$ to $+3.63V$, $T_A = -40^{\circ}C$ to $+95^{\circ}C$, unless otherwise noted. Timing is referenced to $V_{IL(MAX)}$ and $V_{IH(MIN)}$.) (Note 1)
(See [Figure 13.](#))

PARAMETER	SYMBOL	CONDITIONS	MIN	TYP	MAX	UNITS
SCLOUT Clock Frequency	f_{SCLOUT}			1.05		MHz
SCLOUT Duty Cycle	t_{3WDC}			50		%
SDAOUT Setup Time	t_{DS}			500		ns
SDAOUT Hold Time	t_{DH}		100			ns
CSEL1OUT, CSEL2OUT Pulse-Width Low	t_{CSW}		1			μs
CSEL1OUT, CSEL2OUT Leading Time Before the First SCLOUT Edge	t_L			1		μs
CSEL1OUT, CSEL2OUT Trailing Time After the Last SCLOUT Edge	t_T			1		μs
SDAOUT, SCLOUT Load	C_{B3W}	Total bus capacitance on one line			10	pF

DS1886

帶有數字LDD接口的 SFP和PON ONU控制器

I²C AC ELECTRICAL CHARACTERISTICS

(V_{CC} = +2.97V to +3.63V, T_A = -40°C to +95°C, unless otherwise noted. Timing is referenced to V_{IL(MAX)} and V_{IH(MIN)}.) (Note 1) (See [Figure 19](#).)

PARAMETER	SYMBOL	CONDITIONS	MIN	TYP	MAX	UNITS
SCL Clock Frequency	f _{SCL}	(Note 15)	0		400	kHz
Clock Pulse-Width Low	t _{LOW}		1.3			μs
Clock Pulse-Width High	t _{HIGH}		0.6			μs
Bus Free Time Between STOP and START Condition	t _{BUF}		1.3			μs
START Hold Time	t _{HD:STA}		0.6			μs
START Setup Time	t _{SU:STA}		0.6			μs
Data in Hold Time	t _{HD:DAT}		0		0.9	μs
Data in Setup Time	t _{SU:DAT}		100			ns
Rise Time of Both SDA and SCL Signals	t _R	(Note 16)	20 + 0.1C _B		300	ns
Fall Time of Both SDA and SCL Signals	t _F	(Note 16)	20 + 0.1C _B		300	ns
STOP Setup Time	t _{SU:STO}		0.6			μs
Capacitive Load for Each Bus Line	C _B				400	pF
EEPROM Write Time	t _W	(Note 17)			20	ms

NONVOLATILE MEMORY CHARACTERISTICS

(V_{CC} = +2.97V to +3.63V, unless otherwise noted.) (Note 1)

PARAMETER	SYMBOL	CONDITIONS	MIN	TYP	MAX	UNITS
EEPROM Write Cycles		At T _A = +25°C	50,000			—
		At T _A = +85°C	10,000			

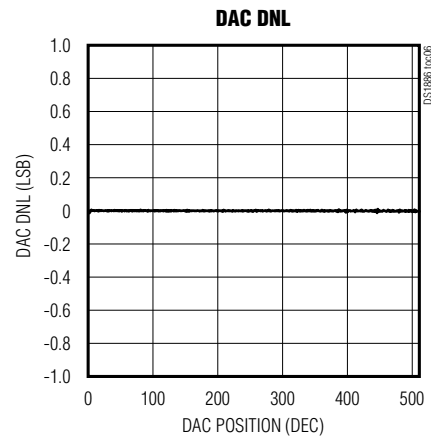
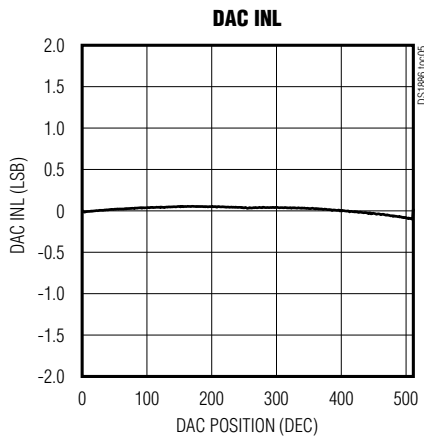
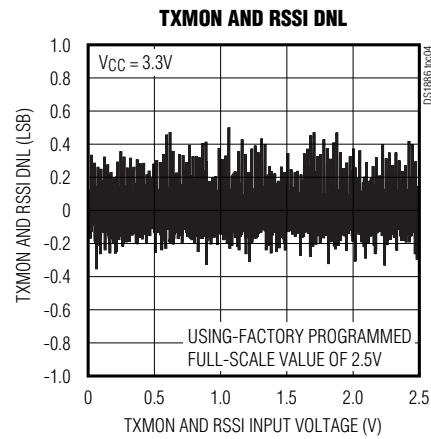
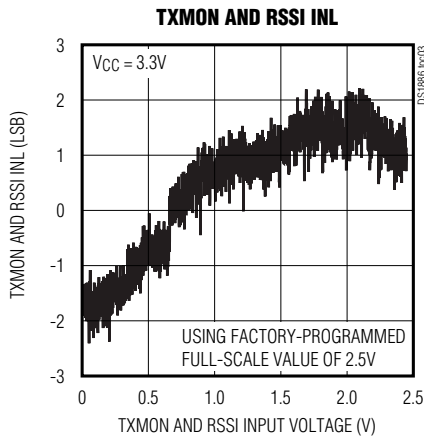
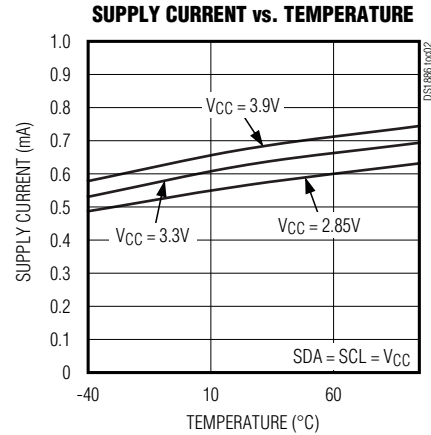
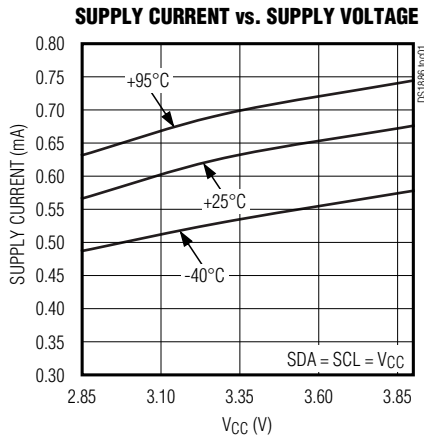
- Note 1:** Limits are production tested at T_A = +25°C. Limits over the operating temperature range and relevant supply voltage range are guaranteed by design and characterization. Typical values are not guaranteed.
- Note 2:** All voltages are referenced to ground. Current entering the IC is considered positive, and current exiting the IC is considered negative.
- Note 3:** Inputs are at supply rail. Outputs are not loaded. Does not include REFIN current. Measured using the [Typical Operating Circuit—GPON ONU](#).
- Note 4:** The ADC output is available internally as a 16-bit value. The 16 bits are derived by left-shifting the 13-bit ADC output by 3.
- Note 5:** Guaranteed by design.
- Note 6:** TXB (transmit bias) and TXP (transmit power) are separate ADC conversions that are performed on the same input pin, TXMON.
- Note 7:** Full scale is user-programmable.
- Note 8:** Time until faults are cleared (falling edge of TXFOUT).
- Note 9:** Time until rising edge of TXDOUT.
- Note 10:** Time until falling edge of TXDOUT.
- Note 11:** Time until completion of initial MAX3710 control registers configuration.
- Note 12:** Time until completion of initial MAX3945 and MAX3710 control registers configuration.
- Note 13:** V_{CC} LO alarm or warning is enabled, a V_{CC} conversion is completed, and V_{CC} is above V_{CC} LO alarm or warning. See [Figure 12c](#).
- Note 14:** DAC output valid, 3-wire writes from LUTs complete, and digital outputs valid.
- Note 15:** I²C interface timing shown is for fast-mode (400kHz) operation. This device is also backward compatible with I²C standard mode.
- Note 16:** C_B = Total capacitance of one bus line in pF.
- Note 17:** EEPROM write begins after a STOP condition occurs.

DS1886

带有数字LDD接口的 SFP和PON ONU控制器

典型工作特性

($T_A = +25^\circ\text{C}$, unless otherwise noted.)

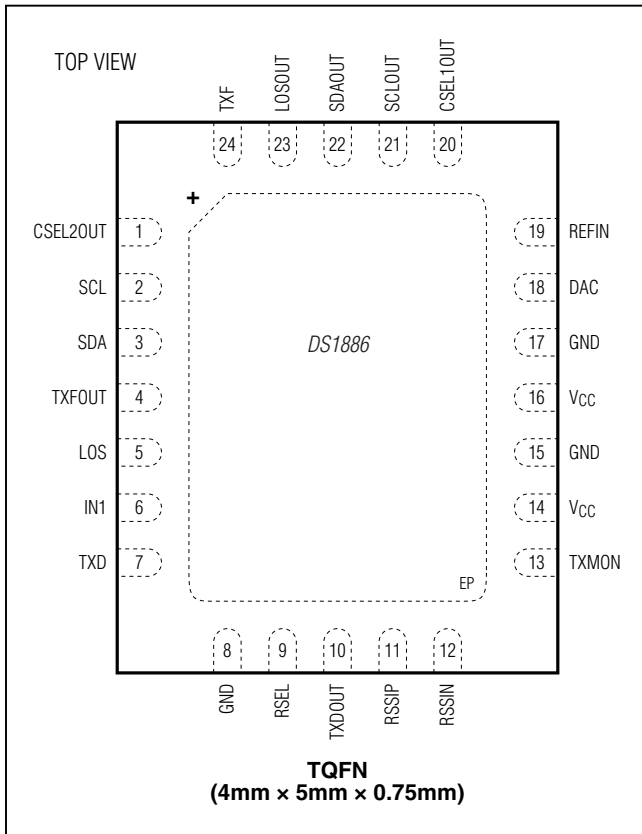


DS1886

带有数字LDD接口的 SFP和PON ONU控制器

引脚配置

引脚说明

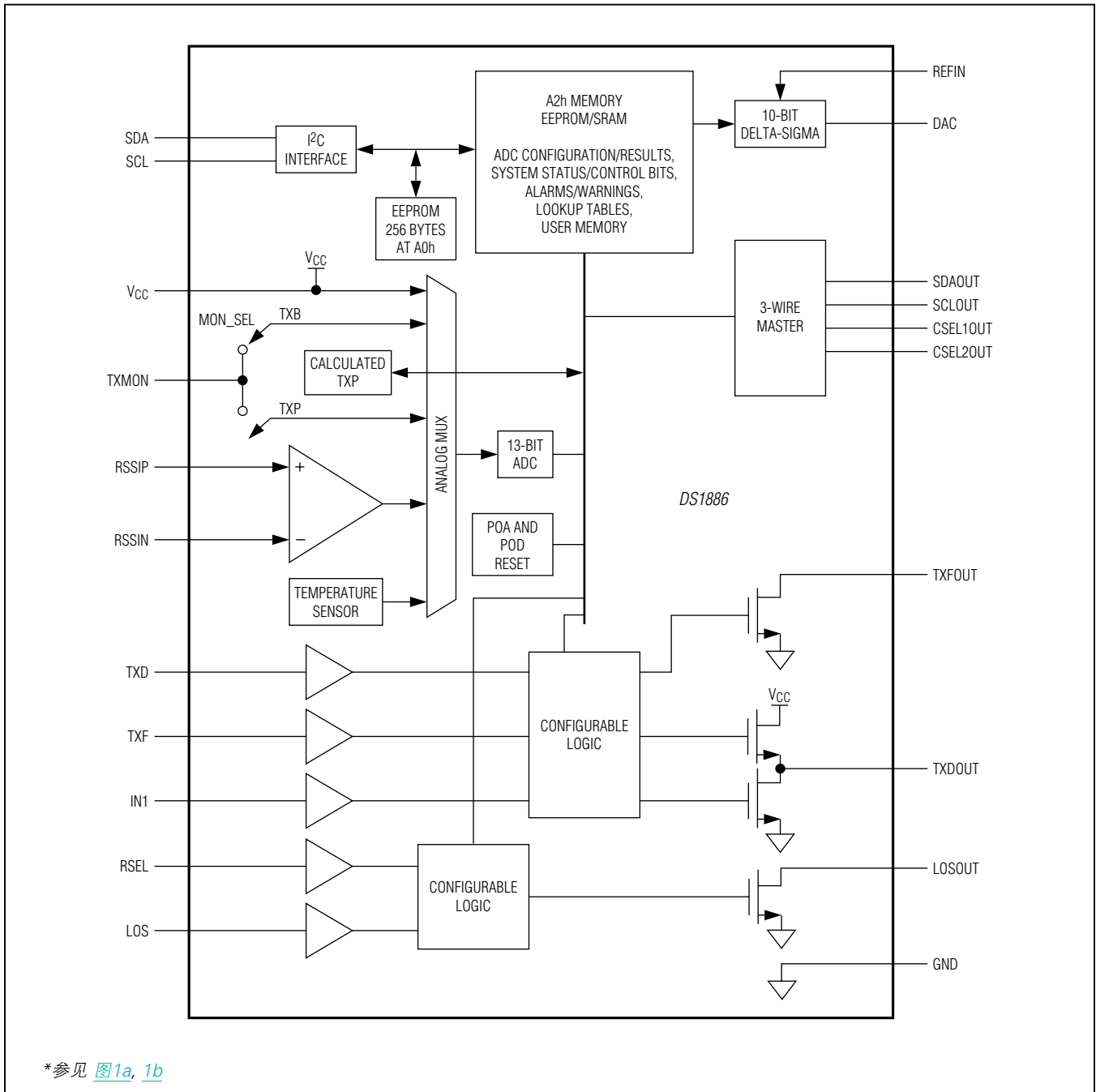


引脚	名称	功能
1	CSEL2OUT	片选输出。3线接口至MAX3945的连接端口。
2	SCL	I ² C串行时钟输入。
3	SDA	I ² C串行数据开漏输入/输出。
4	TXFOUT	发送故障指示开漏输出。
5	LOS	信号丢失输入。
6	IN1	可屏蔽的故障指示数字输入。
7	TXD	禁止发送输入。
8, 15, 17	GND	地。
9	RSEL	速率选择输入。
10	TXDOUT	禁止发送输出。
11, 12	RSSIP, RSSIN	外部监测器差分输入。
13	TXMON	外部监测器输入，用于发送功率(TXP)和发送偏置(TXB)。
14, 16	V _{CC}	电源输入。
18	DAC	DAC输出。
19	REFIN	DAC满幅值的基准输入。
20	CSEL1OUT	片选输出。3线接口至MAX3710的连接端口。
21	SCLOUT	串行时钟输出。3线接口至MAX3710的连接端口。
22	SDAOUT	串行数据输入/输出。3线接口至MAX3710的连接端口。
23	LOSOUT	接收信号丢失开漏输出。
24	TXF	发送故障指示输入。
—	EP	裸焊盘。连接至地。

DS1886

带有数字LDD接口的 SFP和PON ONU控制器

方框图

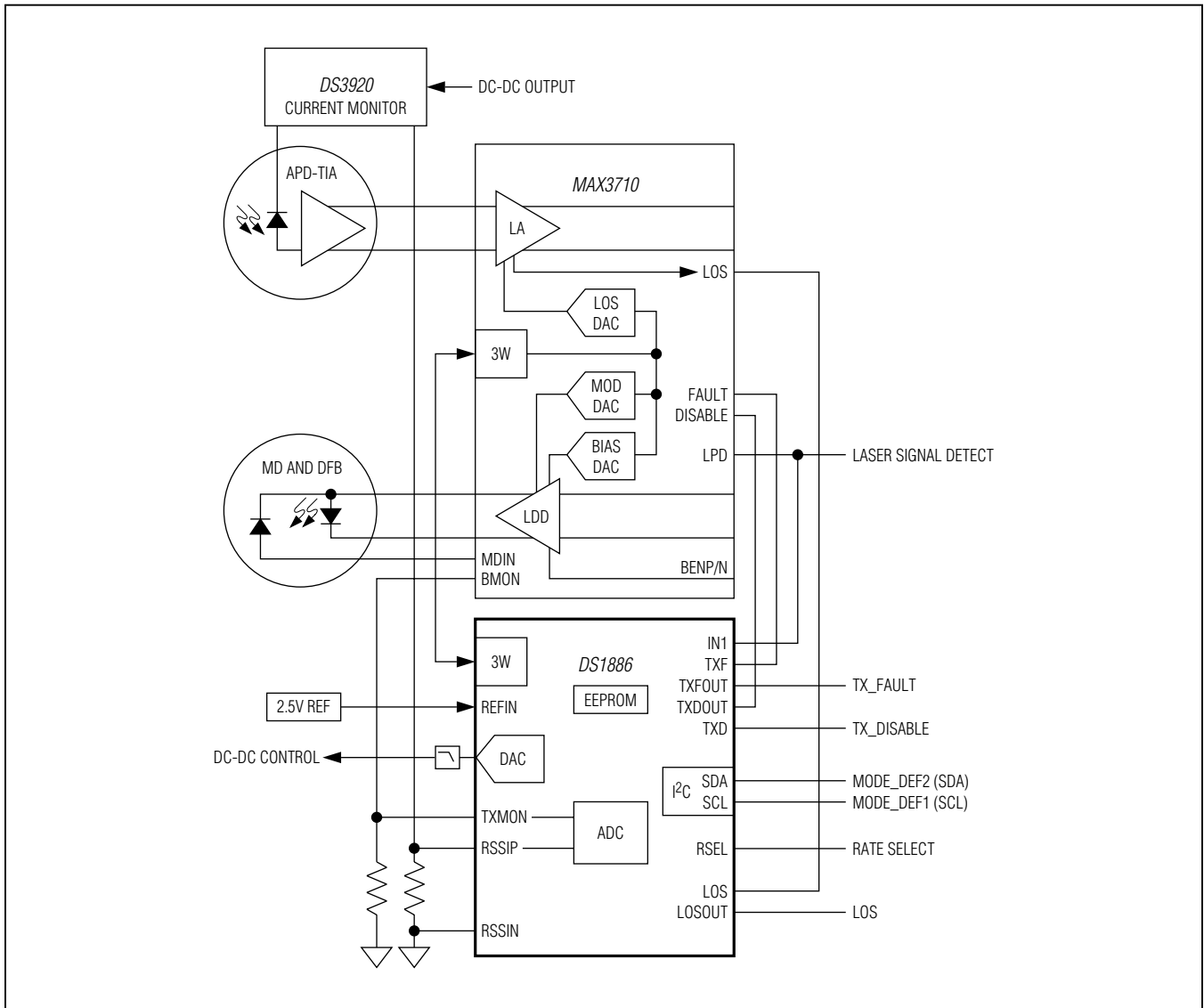


*参见 图1a, 1b

DS1886

帶有數字LDD接口的 SFP和PON ONU控制器

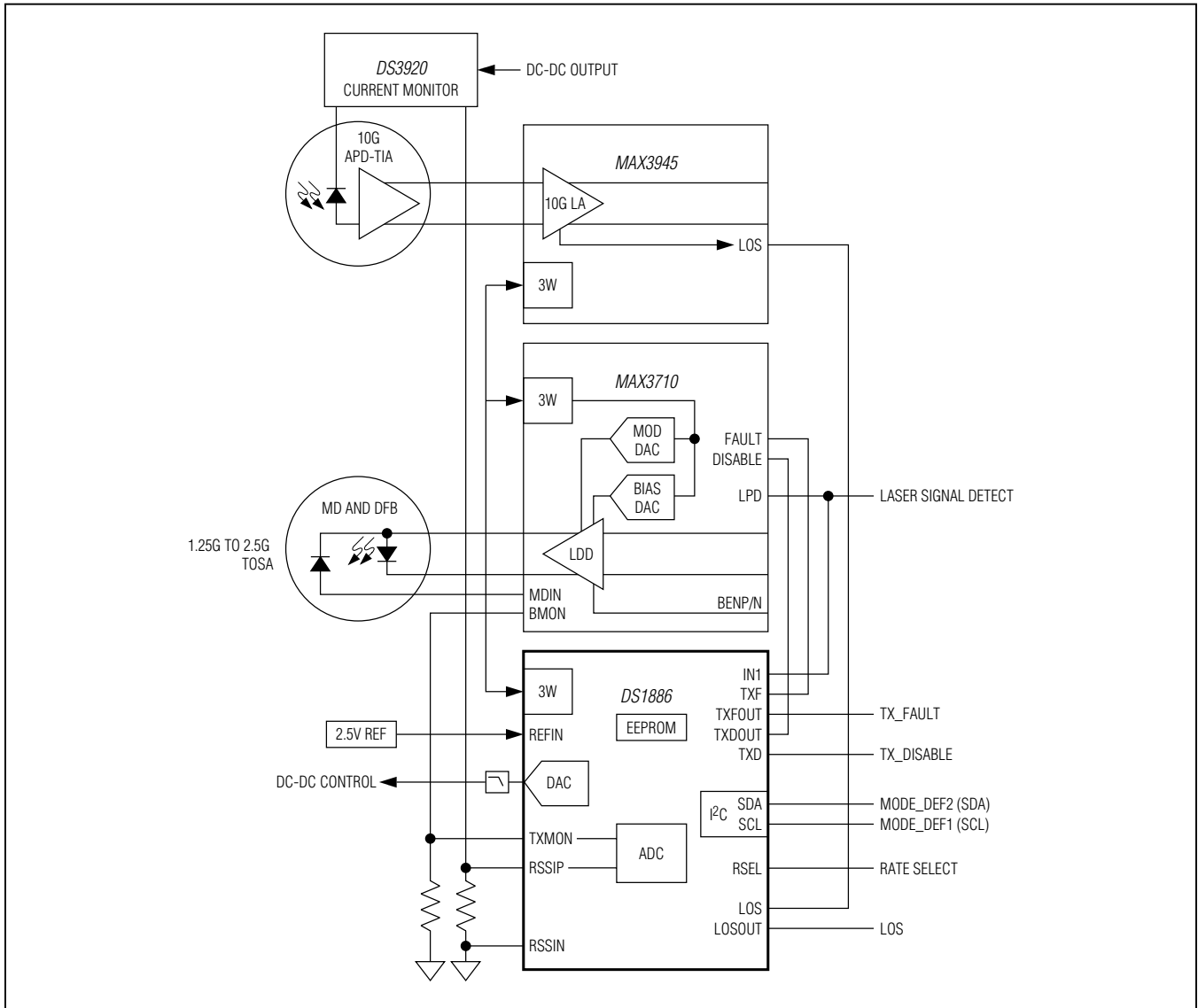
典型工作電路——GPON ONU



DS1886

帶有數字LDD接口的 SFP和PON ONU控制器

典型工作電路——10G PON ONU



DS1886

带有数字LDD接口的 SFP和PON ONU控制器

详细说明

DS1886集成了构建SFP或PON ONU系统(由Maxim MAX3710或其它兼容激光驱动器和限幅器构成)所必需的控制和监测功能。DS1886的关键电路模块如方框图所示,并在后续章节进行详细说明。

监测器和故障检测

监测器

DS1886监测五路ADC通道。该监测功能配合报警使能(A2h表01h/05h),可确定DS1886何时/是否关断MAX3710 DAC以及触发TXFOUT和TXDOOUT输出。所有监测电平和中断屏蔽均可通过用户编程。请参见图1a。

表1. 缩写表

ACRONYM	DESCRIPTION
ADC	Analog-to-Digital Converter
APC	Automatic Power Control
APD	Avalanche Photodiode
DAC	Digital-to-Analog Converter
LOS	Loss of Signal
LUT	LUT
NV	Nonvolatile
QT	Quick Trip
ROSA	Receiver Optical Subassembly
SEE	Shadowed EEPROM

ACRONYM	DESCRIPTION
SFF	Small Form Factor
SFF-8472	Document Defining Register Map of SFPs and SFFs
SFP	Small Form-Factor Pluggable
SFP+	Enhanced SFP
TE	Tracking Error. Deviation from linear of the relationship between transmitted power and monitor diode current.
TIA	Transimpedance Amplifier
TOSA	Transmit Optical Subassembly
TXP	Transmit Power

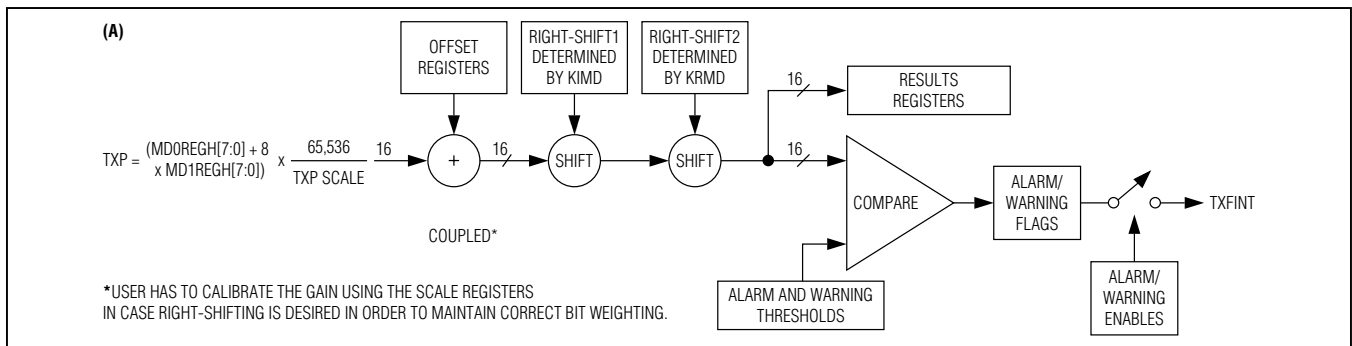


图1a. 当表02h, 寄存器89h中BURST_MODE = 1时, ADC通道仅用于TXP

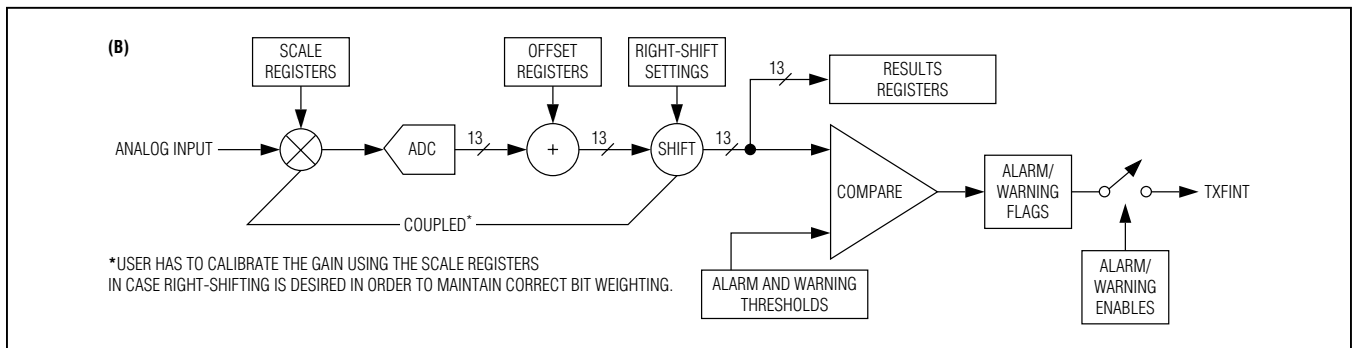


图1b. ADC通道

DS1886

带有数字LDD接口的 SFP和PON ONU控制器

ADC监测器和报警

ADC监测温度(内部温度传感器)、 V_{CC} 、激光器偏置(TXB)、激光功率(TXP)和接收功率(粗测时为RSSIC, 精测时为RSSIF), 通过模拟多路复用器采用单ADC的轮询方法对其进行测量(见ADC时序部分)。电压通道具有用户可编程的满量程范围, 用户可以设置所有通道的失调电压, 该失调电压出厂时设置为默认值(表2)。此外, TXB、TXP、RSSIC和RSSIF可右移结果, 如ADC结果右移部分所述。这就允许使用规定ADC量程的用户以系数 2^n 校准ADC输入增益, 以测量小信号(从而以因子 2^n 降低满幅值)。然后DS1886即可将结果右移 n 位(实际为乘以因子 $1/2^n$), 以保持规定的位权重。更多信息请参见ADC结果右移和增强RSSI监测(双量程功能)部分。

报警和告警

ADC结果(右移后, 需要的话)将在每次转换后与报警、告警门限进行比较, 触发相应的报警和/或告警标志, 进而设置为产生内部信号TXFINT。可读取TXFINT的状态(A2h低地址字节存储器, 寄存器71h)。TXFINT是用于触发TXFOUT的信号之一。TXFOUT可设置为产生TXDOUT输出。用户可以对ADC门限进行编程, 也可以编程屏蔽寄存器, 以避免报警状态触发TXFOUT和TXDOUT输出。

ADC时序

五路模拟通道按照图2所示的顺序循环进行数字转换。测量两次RSSI, 获得粗测和精测结果(分别为RSSIC和RSSIF)。

转换所有通道所需要的时间总合为 t_{RR} (详细信息请参见 [Analog Voltage Monitoring Characteristics](#))。每次TXMON转换之后, 发起3线通信, 转换MON_SEL位(MAX3710的TXCTRL2寄存器的第6位, 通过表02h, 寄存器E5h, 第6位设置), 使激光驱动器向DS1886的TXMON输入交替发送激光器偏置(TXB)和激光器功率(TXP)信号。

DS1886具有突发模式选项, 允许使用通过3线接口从MAX3710读取MD0和MD1寄存器的值在内部计算TXP。在这种选项下, 忽略采样的TXP值。这种突发模式下的TXP值计算如下:

$$TXP = \frac{(MD0\ REGH\ [7:0] + 8 \times MD1\ REGH\ [7:0]) \times 65536}{TXP\ Scale}$$

然后将TXP右移(图1a)。

RIGHT-SHIFT1由KIMD[1:0]、TXCTRL3[4:3]决定如下:

KIMD[1:0] TXCTRL3[4:3]	NO. OF RIGHT-SHIFTS
00	2
01	1
10	0
11	0

表2. ADC默认的监测器满量程范围

SIGNAL (UNITS)	+FS SIGNAL	+FS HEX	-FS SIGNAL	-FS HEX
Temperature (°C)	127.996	7FFFh	-128	8000h
V_{CC} (V)	6.5528	FFF8h	0	0000h
TXB, TXP, RSSIC, RSSIF (V)	2.4997	FFF8h	0	0000h

DS1886

带有数字LDD接口的 SFP和PON ONU控制器

RIGHT-SHIFT2由KRMD[1:0]、TXCTRL3[2:1]决定如下：

KRMD[1:0] TXCTRL3[4:3]	NO. OF RIGHT-SHIFTS
00	2
01	1
10	0
11	0

ADC结果右移

ADC结果右移按照EEPROM中右移控制寄存器(A2h表02h, 寄存器8Eh和A2h表02h, 寄存器8Fh)的数值进行操作。TXB、TXP、RSSIC和RSSIF具有对应的3位，用于设

置右移位。用户必须校准对应的监测器，以实现正确的LSB权重。在将结果与报警上限、下限进行比较之前，或将结果装载到相应的测量寄存器(低地址字节存储器，寄存器64h-69h)之前，最多可将结果右移7位，右移操作是每次转换的一个组成部分。设置内部校准以及在后续的数据转换期间也是如此。

突发模式下，TXP的右移由KIMD和KRMD决定。

RSSI差分输入

DS1886提供RSSI全差分输入，能够对RSSI进行高边监测，如图3所示。这一方式无需高边差分放大器或电流镜，从而降低了电路板复杂度。

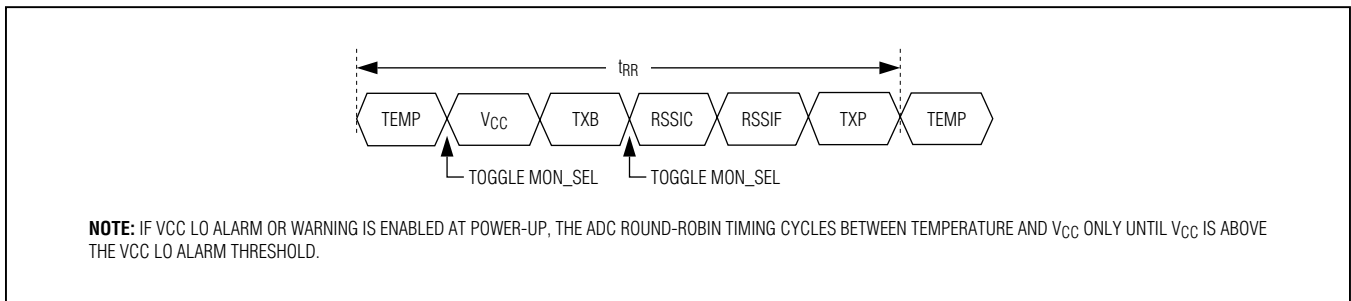


图2. ADC轮询时序

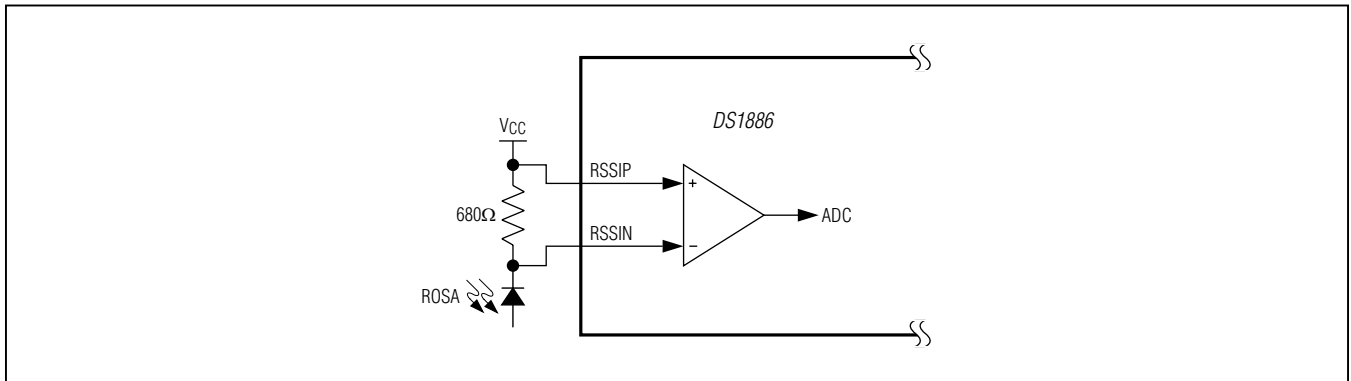


图3. RSSI差分输入，用于高边RSSI

DS1886

带有数字LDD接口的 SFP和PON ONU控制器

通过TXMON测量激光器偏置和激光器功率

DS1886通过相同的输入引脚TXMON测量激光器偏置(TXB)和激光器功率(TXP)。ADC每次转换之前，DS1886命令MAX3710激光驱动器输出正确的监测信号。图4所示为两个转换通路，每条通路具有独立的增益和失调校准寄存器。

增强RSSI监测(双量程功能)

DS1886能够改善RSSI的测量精度和范围，通常用于监测RSSI。为实现SFF-8472在-40至8.2dBm范围内要求的 $0.1 \mu\text{W}/\text{LSB}$ ，DS1886进行两次测量，利用13位物理ADC实现16位转换。这种“双量程”校准能够以两种模式工作：APD模式和PIN模式。

APD模式

对于ADC输入和所需的ADC结果之间具有非线性关系的系统，应将模式设为APD模式(图5)。APD接收器的RSSI测量即是这种类型的应用。采用APD模式可以实现APD增益非线性响应的分段线性逼近。交越点介于精测范围与粗测范围之间。ADC结果在精测和粗测范围内以无滞回的方式跳变。右移、斜率调整和失调均可针对精测和粗测范围进行设置。两个寄存器XOVER FINE和XOVER COARSE决定交越点。XOVER FINE寄存器(A2h表02h, 寄存器A0h-A1h)用于确定右移之前的精测ADC转换结果最大值，XOVER COARSE寄存器(A2h表02h, 寄存器90h-91h)用于确定右移之前的粗测ADC转换结果最小值。

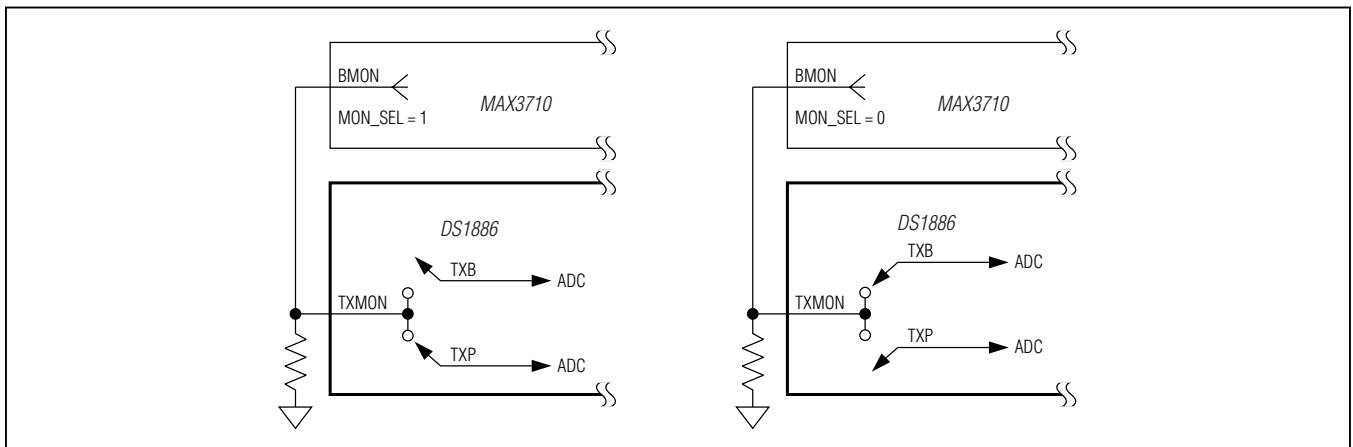


图4. 通过TXMON监测激光器偏置(TXB)和激光器功率(TXP)

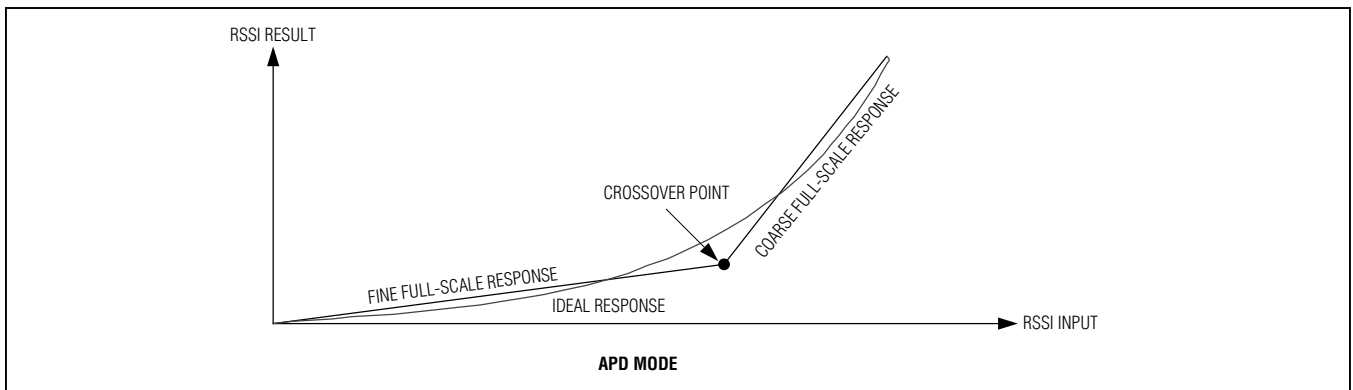


图5. APD模式下的RSSI

DS1886

带有数字LDD接口的 SFP和PON ONU控制器

PIN模式

PIN模式适用于RSSI输入和所需的ADC结果之间为线性关系的系统。如图6所示，ADC结果在精测和粗测范围内以带有滞回的方式跳变。

PIN模式下，粗测与精测模式之间的门限取决于所采用的右移位数。采用右移操作时，精测模式的满量程范围设置为粗测模式满量程范围的 $1/2^n$ 。DS1886可以自动选择满量程范围，以获得最佳的测量分辨率。表3给出了每个可能的右移位数对应的门限值。

低压工作

DS1886具有两个上电复位(POR)电平。较低的复位电平是数字POR (POD)，而较高的复位电平是模拟POR (POA)。

启动时，在电源电压超过POA之前禁止输出，所有SRAM设置在默认状态，映射EEPROM清零，关闭所有模拟电路。当 V_{CC} 达到POA时，调用SEE并使能模拟电路；当 V_{CC} 超过POA时，器件进入正常工作状态，根据非易失配置进行响应。如果工作期间 V_{CC} 低于POA，但高于POD，SRAM将保持第一次调用SEE时的SEE设置，器件的模拟电路关断并禁止输出。如果电源电压恢复到POA以上，器件将立即恢复正常工作状态。如果电源电压跌落到POD以下，器件的SRAM将恢复到默认状态，重新装载非易失设置需要再次调用SEE。当 V_{CC} 下一次超过POA时，将调用EEPROM，图7给出了不同电压条件下的时序。

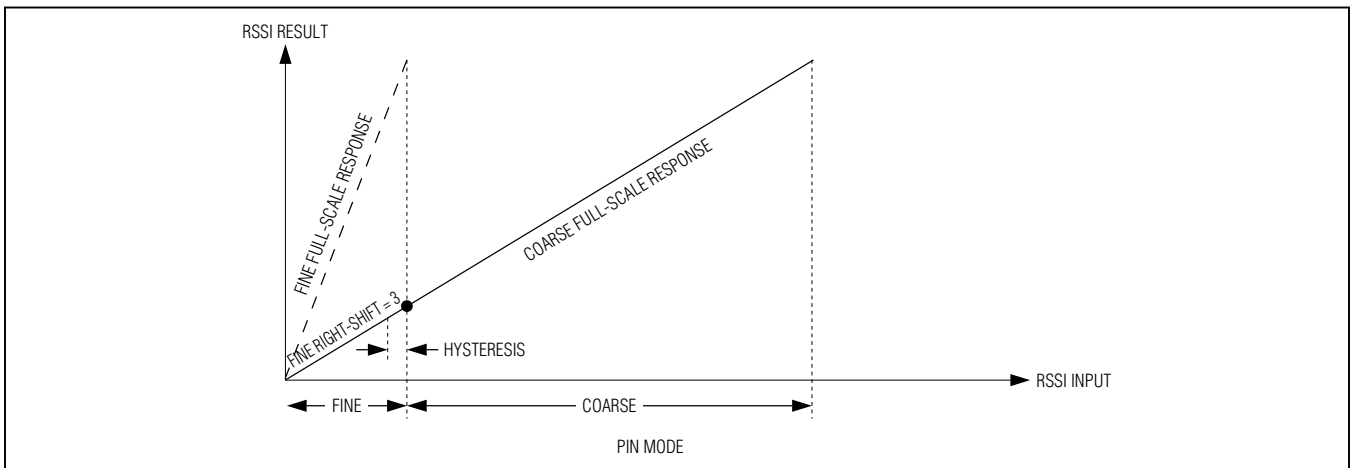


图6. PIN模式下的RSSI

表3. RSSI滞回门限值

# OF RIGHT-SHIFTS	FINE MODE MAX (HEX)	COARSE MODE MIN* (HEX)
0	FFF8h	F000h
1	7FFCh	7800h
2	3FFEh	3C00h
3	1FFFh	1E00h
4	0FFFh	0F00h
5	07FFh	0780h
6	03FFh	03C0h
7	01FFh	01E0h

*这是粗测模式转换所报告的最小值。

表4. RSSI配置寄存器

REGISTER	FINE MODE	COARSE MODE
Gain Register (RSSI FINE/COARSE SCALE)	98h–99h, A2h Table 02h	9Ch–9Dh, A2h Table 02h
Offset Register (RSSI FINE/COARSE OFFEST)	A8h–A9h, A2h Table 02h	ACh–ADh, A2h Table 02h
RIGHT-SHIFT ₁ Register	8Eh, A2h Table 02h	N/A
RSSIC and RSSIF Bits (RIGHT-SHIFT ₀)	8Fh, A2h Table 02h	
RSSIR Bit (UPDATE)	6Fh, A2h Lower Memory	
RSSI Measurement (RSSI VALUE)	68h–69h, A2h Lower Memory	

DS1886

带有数字LDD接口的 SFP和PON ONU控制器

任何时间，一旦 V_{CC} 超过POD，便可通过I²C接口确定 V_{CC} 是否低于POA电平。通过检查STATUS (A2h低地址字节存储器，寄存器6Eh)字节中的RDYB位可以完成该操作。当 V_{CC} 低于POA时，RDYB置位；当 V_{CC} 高于POA时，RDYB在规定时间(500 μ s)内达到0，器件在此时刻开始正常工作。所有源于EEPROM的器件地址(A2h表02h，寄存器8Ch)，在 V_{CC} 超过POA之前，默认器件地址为A2h，允许从EEPROM调用器件地址。

上电模拟电路(POA)

POA将DS1886保持在复位状态，直到 V_{CC} 处于合适电平($V_{CC} > POA$)，使器件能够利用其ADC精确测量，并将模拟信号与其快速触发监测器进行比较。因为 V_{CC} 低于POA时ADC不能测量 V_{CC} ，所以POA也使 V_{CC} LO报警变为有效；当 V_{CC} ADC转换结果大于用户可编程的 V_{CC} ADC下限时，清除 V_{CC} LO报警。这样就允许限值可编程，确保在慢上电期间满足收发器的裕量要求。转换结果高于 V_{CC} 下限之前，不锁存TXFOUT输出。POA报警不可屏蔽。更多信息，请参考[低压工作](#)部分。

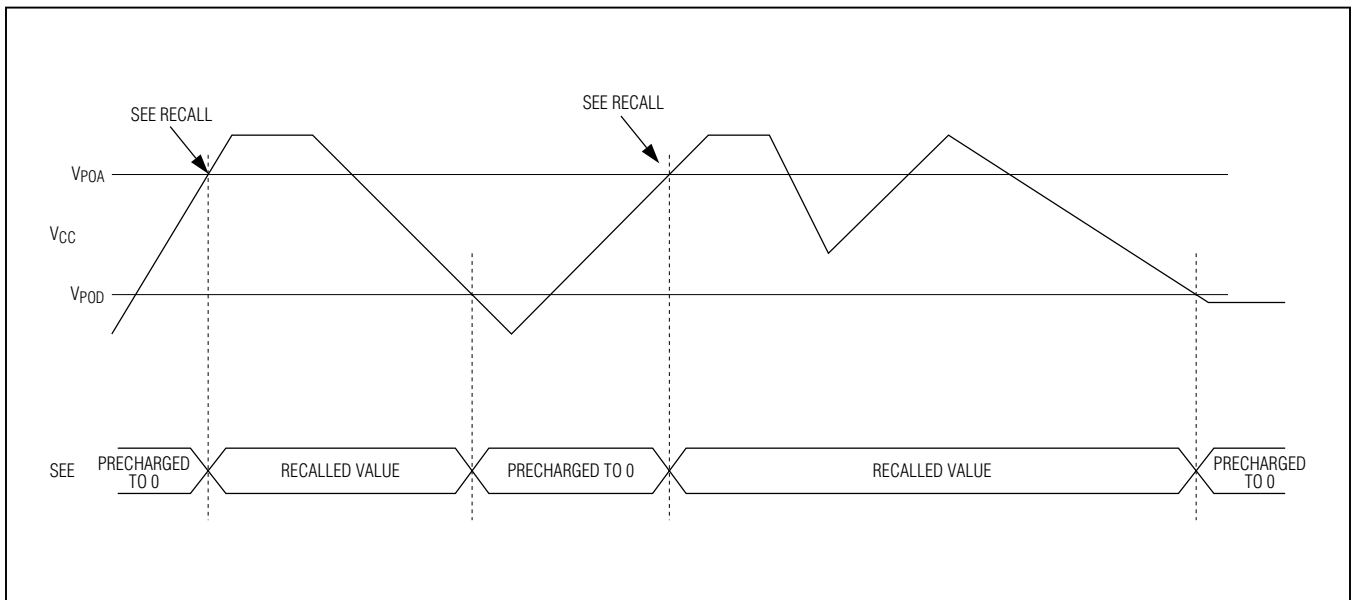


图7. 低压滞回示例

带有数字LDD接口的 SFP和PON ONU控制器

Δ-Σ输出和基准

提供一路Δ-Σ输出(DAC), 提供10位分辨率输出。最大输出电压由输入REFIN设置。建议使用便宜的分流基准产生施加至REFIN的电压, 如图8所示。输出具有对APD偏置进行温度补偿的能力, 补偿公式如下:

$$DAC_INT = TINDEX[6:0] + DAC\ OFFSET$$

如果INV_DAC = 0, 则DAC[9:0] = DAC_INT/DACFS × VREFIN;

如果INV_DAC = 1, 则DAC[9:0] = [3FF - (DAC_INT/DACFS)] × VREFIN。

式中:

- 1) INV_DAC在A2h表02h, 寄存器8Dh, 第7位。
- 2) TINDEX在A2h表02h, 寄存器81h。
- 3) DAC OFFSET为8位值, 表示10位值的8个MSB位。两个LSB为0。
- 4) DACFS (A2h表02h, 寄存器88h)为8位值, 表示10位值的8个MSB位。两个LSB为0。
- 5) DAC为10位值。
- 6) DAC[9:0]箝位到DACFS。
- 7) DAC_INT为内部信号。

Δ-Σ输出采用脉冲密度调制。如果时钟速率和滤波器组件相同, 相对于标准数字PWM输出, 该输出的纹波较低。DAC输出上需要一个RC滤波器, 如图8所示。根据纹波要求、输出负载、Δ-Σ频率及预期响应时间选择外部RC滤波器。tINIT之前, DAC输出为高阻。

基准输入REFIN为DAC的输出缓冲器供电。连接至REFIN的电压源应该能够支持Δ-Σ输出的边缘速率要求。典型应用中, REFIN与地之间应连接一个0.1μF的电容。

DS1886的Δ-Σ输出为10位。作为演示, 图9给出了3位的示例。

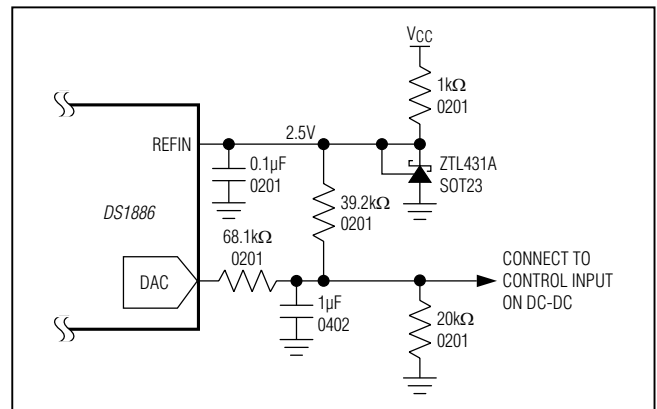


图8. 推荐的DAC输出分流基准和RC滤波器

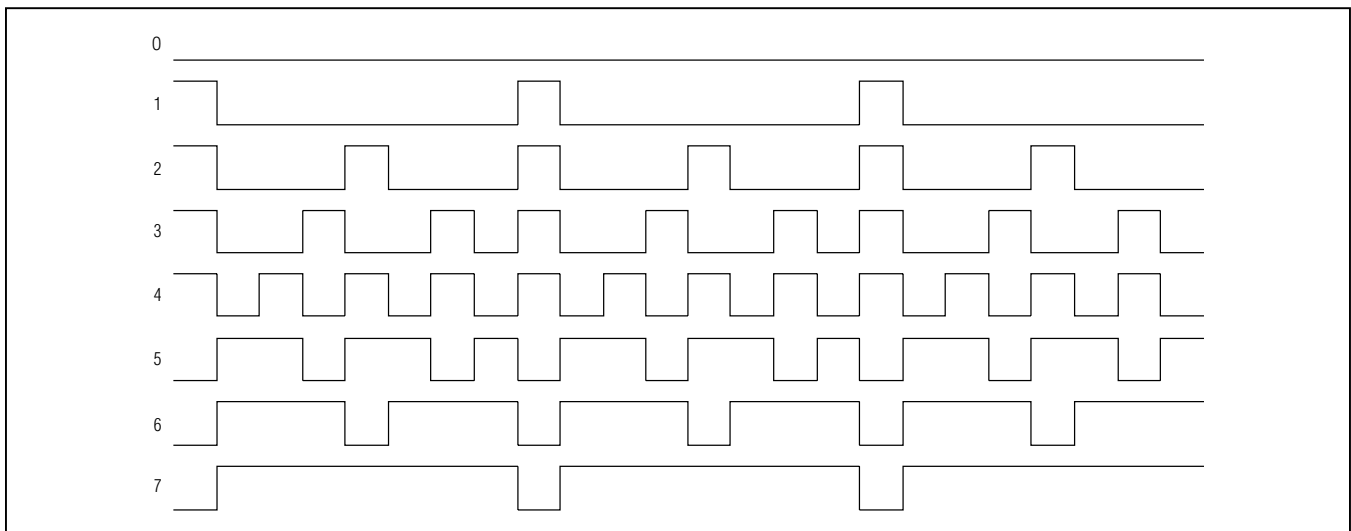


图9. Δ-Σ输出

DS1886

带有数字LDD接口的SFP和PON ONU控制器

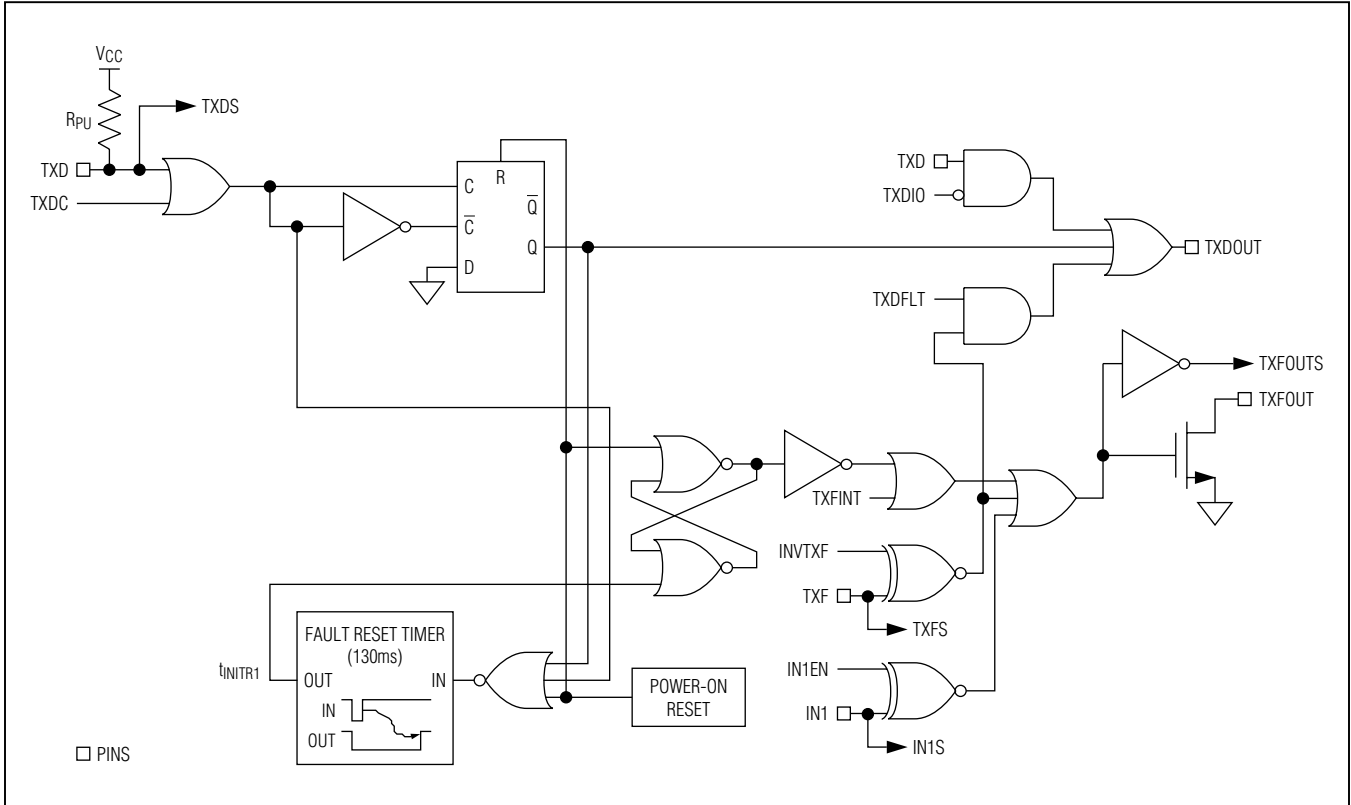


图10. TXFOUT和TXDOUT逻辑框图

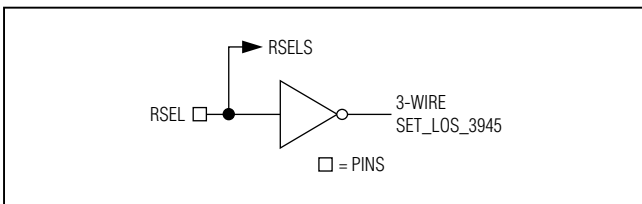


图11. RSEL逻辑框图

数字I/O引脚

器件提供五个数字输入和三个数字输出引脚，分别用于监测和控制功能。

LOS, LOSOUT

默认设置下，LOS引脚将标准信号丢失(LOS)比较器输出转换成集电极开路输出(LOSOUT)。LOS的状态可以通过读取STATUS字节(A2h低地址字节存储器，寄存器6Eh)中的RXL位得到。驱动漏极开路输出晶体管之前，可将RXL信号反相(INV LOS = 1)。

RSEL

RSEL的电平可以通过STATUS寄存器(A2h低地址字节存储器，寄存器6Eh)读取。RSEL的状态决定是否将SETLOSL或SETLOSH写至MAX3945寄存器SET_LOS。

TXD, TXDOUT

TXDOUT由TXFOUT和TXD组合产生(关于使能这些选项的信息，请参见CNFGC寄存器A2h表02h，寄存器8Bh)，提供与TXD完全相同的软件控制(TXDC，低A2h低地址字节存储器，寄存器6Eh)。在内部展宽TXD脉冲(t_{INTR1})，禁止锁存下限报警和告警。如果需要，可直接连接至MAX3710的DISABLE输入。VCC < POA时，TXDOUT为高阻。

IN1, TXF、发送故障指示(TXFOUT)输出

TXFOUT可由所有报警和告警触发，也可由引脚TXF和IN1触发(图10)。需要使能ADC报警和告警(A2h表01h/05h，寄存器F8h和FDh)。关于非锁存和锁存操作的信息请参见图12a和12b。图12c所示为上电期间的TXFOUT行为。报警的锁存受控于CNFGB和CNFGC寄存器(A2h表02h，寄存器8Ah和A2h表02h，寄存器8Bh)。

DS1886

带有数字LDD接口的 SFP和PON ONU控制器

裸片标识

DS1886监测MAX3710 DPCSTAT寄存器中的IMODOVFL和IBIASOVFL位，如果其中任意位置位，用户可选择设置TXFOUT。[A2h表02h，寄存器8Bh](#)中的屏蔽位BIASMODEVFL_FLT必须置位，以使能该功能。

DS1886晶片带有ID硬件标签。器件为此功能分配了两个寄存器(DEVICE ID [A2h表02h，寄存器CEh](#)和DEVICE VER [A2h表02h，寄存器CFh](#))。寄存器CEh读数为84h，表示器件为DS186；寄存器CFh的读数则表示当前器件的版本。

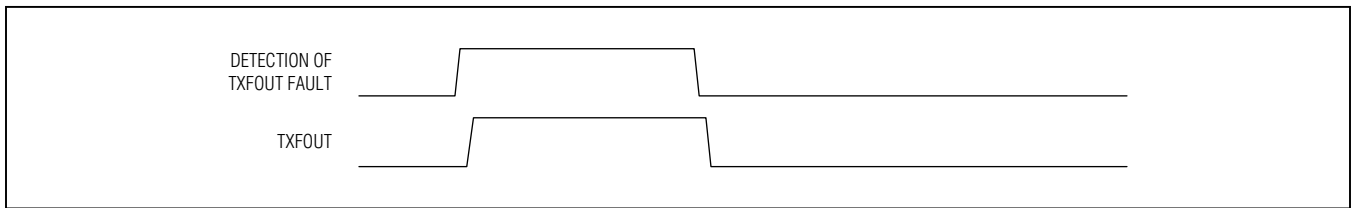


图12a. TXFOUT非锁存操作

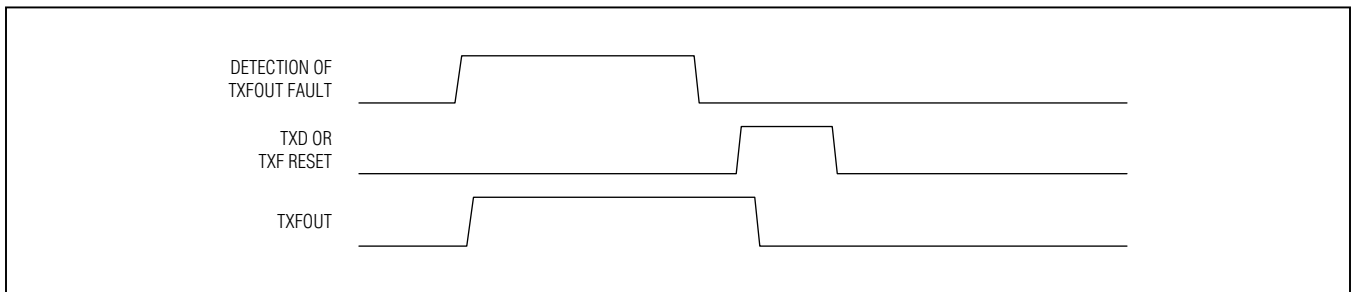


图12b. TXFOUT锁存操作

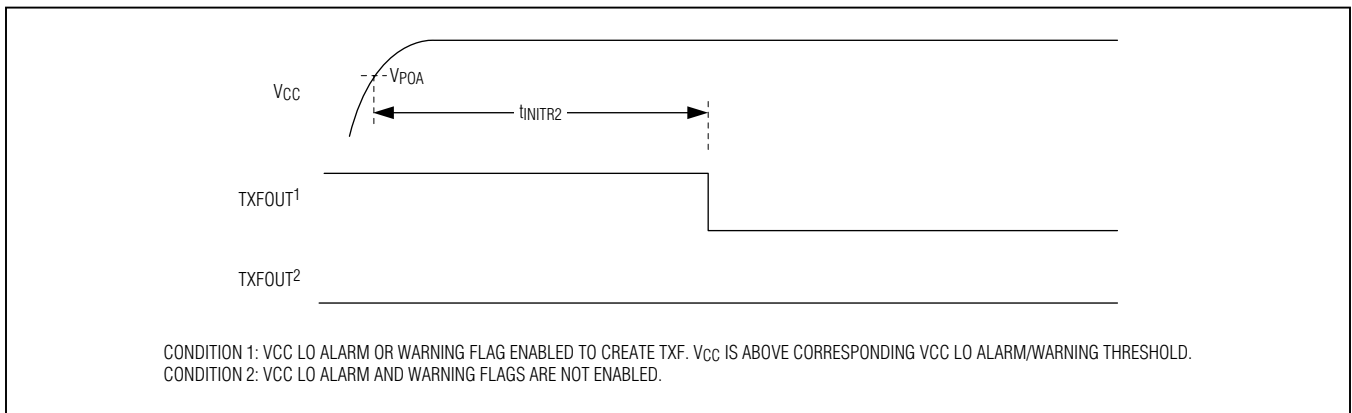


图12c. 上电期间的TXFOUT

DS1886

带有数字LDD接口的 SFP和PON ONU控制器

DS1886主控制器通信接口

DS1886利用专用的3线接口控制MAX3710。DS1886在启动时配置MAX3710，然后用新LUT值持续更新MAX3710。DS1886工作在三种模式之一：开环、APC环路和双闭环。DS1886也可在上电时配置MAX3945。DS1886与MAX3710及MAX3945之间的通信对用户透明。此外，可采用DS1886的手动模式向MAX3710和MAX3945发送命令。

3线主控接口

DS1886作为主控制器，发起通信，并为Maxim从器件产生时钟。3引脚接口包括SDAOUT（双向数据线）、SCLOUT

(时钟信号)和CSEL1OUT（片选输出，高电平有效）。提供第二个独立片选信号(CSEL2OUT)，配合MAX3945使用。

协议

DS1886通过使CSEL1OUT或CSEL2OUT引脚变为有效，启动数据传输，然后在CSEL1OUT或CSEL2OUT置1后产生时钟信号。每次操作包括16位传输(15位地址/数据，1位RWN)。所有的数据传输均为MSB在前。

写模式(RWN = 0)：主控制器在SCLOUT上共产生16个时钟周期。主控制器在时钟下降沿向SDAOUT线上输出16位数据(MSB在前)。主控制器通过将CSEL1OUT和CSEL2OUT置0终止传输。

读模式(RWN = 1)：主控制器在SCLOUT上共产生16个时钟周期。主控制器在时钟下降沿向SDAOUT线上输出8位数据(MSB在前)。发送RWN位后释放SDAOUT。从设备在时钟的上升沿输出8位数据(MSB在前)。主控制器在SCLOUT下降沿采样SDAOUT。主控制器通过将CSEL1OUT和CSEL2OUT置0终止传输。

表5. 3线通信细节

BIT	NAME	DESCRIPTION
15:9	Address	7-bit internal register address
8	RWN	0: write, 1: read
7:0	Data	8-bit read or write data

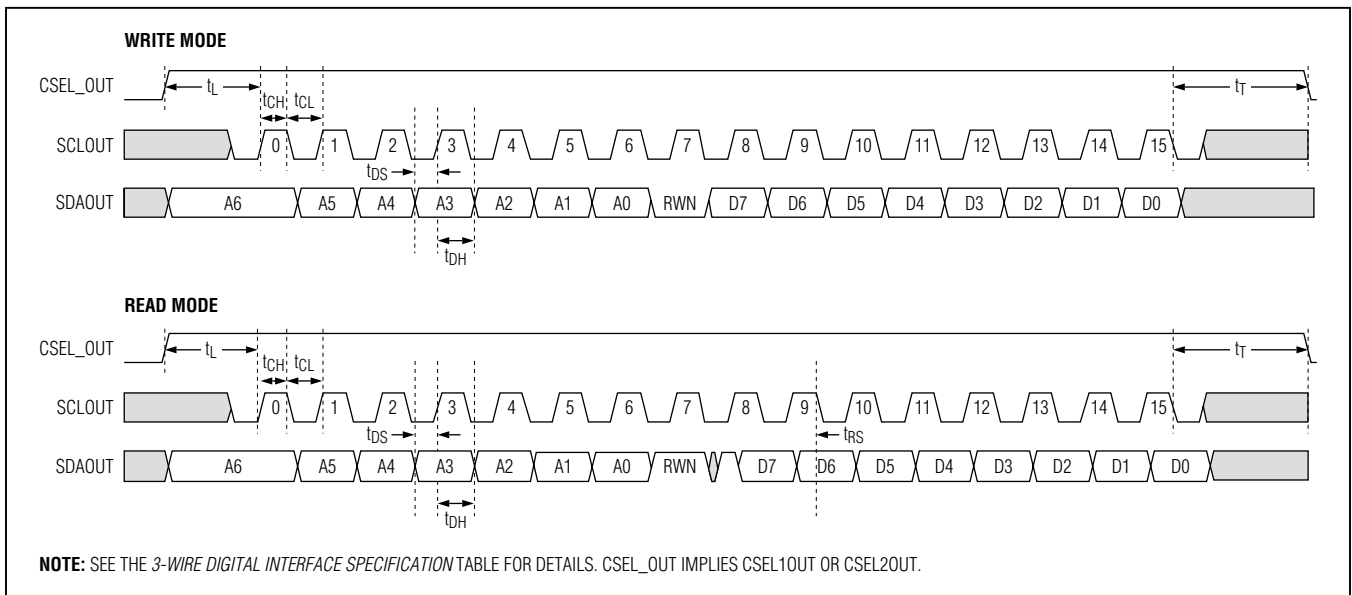


图13. 3线接口时序图

DS1886

带有数字LDD接口的 SFP和PON ONU控制器

3线从寄存器映射和DS1886对应位置
写MAX3945寄存器时，也同时写入MAX3710 (表6)。

3线主控制器流程图
图14所示为DS1886的3线主控制器在全部三种工作模式下的工作流程。这些模式在DS1886的MAX3710工作模式部分介绍。

表6. 3线寄存器映射和DS1886对应位置

DS1886 REGISTER (A2h TABLE 02h)	DS1886 REGISTER NAME	MAX3710 ADDRESS	MAX3710 REGISTER NAME	MAX3945 ADDRESS	MAX3945 REGISTER NAME
82h–83h	MODULATION VALUE	0Eh	SET_IMOD	N/A	N/A
85h	APC VALUE	11h	SET_2XAPC	N/A	N/A
86h–87h	SET_BIAS VALUE	0Dh	SET_IBIAS	N/A	N/A
CAh	INCBYTE[7:4]	0Fh	BIASINC	N/A	N/A
CAh	INCBYTE[3:0]	10h	MODINC	N/A	N/A
CBh	TXCTRL5 DPC	0Ah	TXCTRL5	N/A	N/A
CCh	IMODMAX	0Ch	IMODMAX	N/A	N/A
CDh	IBIASMAX	0Bh	IBIASMAX	N/A	N/A
E0h	RXCTRL1	01h	RXCTRL1	00h	RXCTRL1
E1h	RXCTRL2	02h	RXCTRL2	01h	RXCTRL2
E2h	SETCML	03h	SET_CML	03h	SET_CML
E3h	SETLOSH	04h	SET_LOS	N/A	N/A
E4h	TXCTRL1	06h	TXCTRL1	N/A	N/A
E5h	TXCTRL2	07h	TXCTRL2	N/A	N/A
E6h	TXCTRL3	08h	TXCTRL3	N/A	N/A
E7h	TXCTRL4	09h	TXCTRL4	N/A	N/A
E8h	TXCTRL5 APC OL	0Ah	TXCTRL5	N/A	N/A
E9h	TXCTRL6	13h	TXCTRL6	N/A	N/A
EAh	TXCTRL7	05h	TXCFG	N/A	N/A
ECh	SETLOSH_3945	N/A	N/A	04h	SET_LOS
EDh	SETLOSL_3945	N/A	N/A	04h	SET_LOS
EEh	SETLOSTIMER_3945	N/A	N/A	12h	SET_LOSTIMER
F0h	3WCTRL	Manual control of read/write from/to 3-wire slave devices; useful for determining correct settings for the slave devices and also for debugging.			
F1h	ADDRESS				
F2h	WRITE				
F3h	READ				
F4h	TXSTAT2	1Fh	TXSTAT2	N/A	N/A
F5h	TXSTAT1	1Eh	TXSTA1	N/A	N/A
F6h	DPCSTAT	1Dh	DPCSTAT	N/A	N/A
F7h	RXSTAT	1Ch	RXSTAT	N/A	N/A

带有数字LDD接口的 SFP和PON ONU控制器

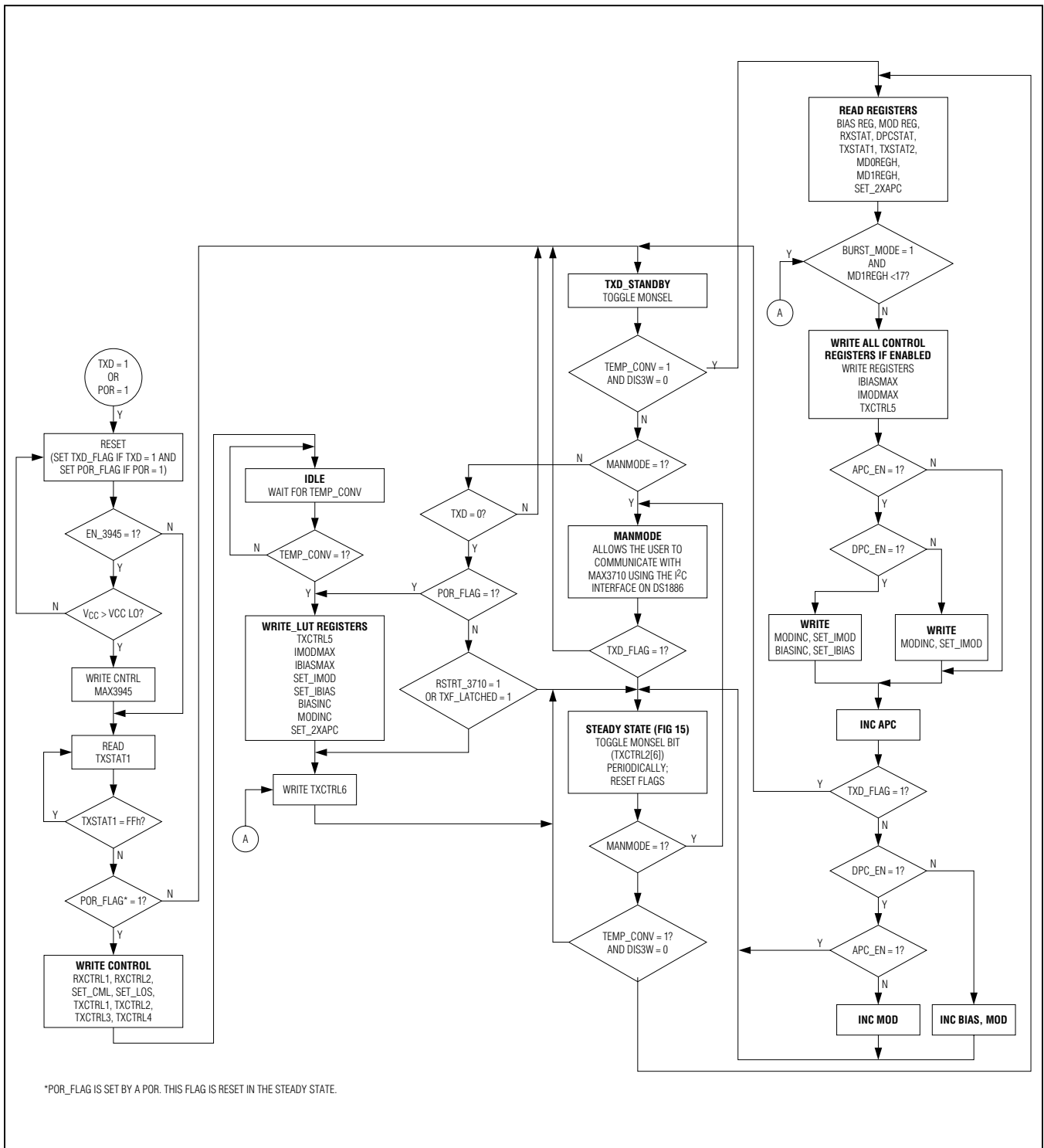


图14. 3线流程图

DS1886

带有数字LDD接口的 SFP和PON ONU控制器

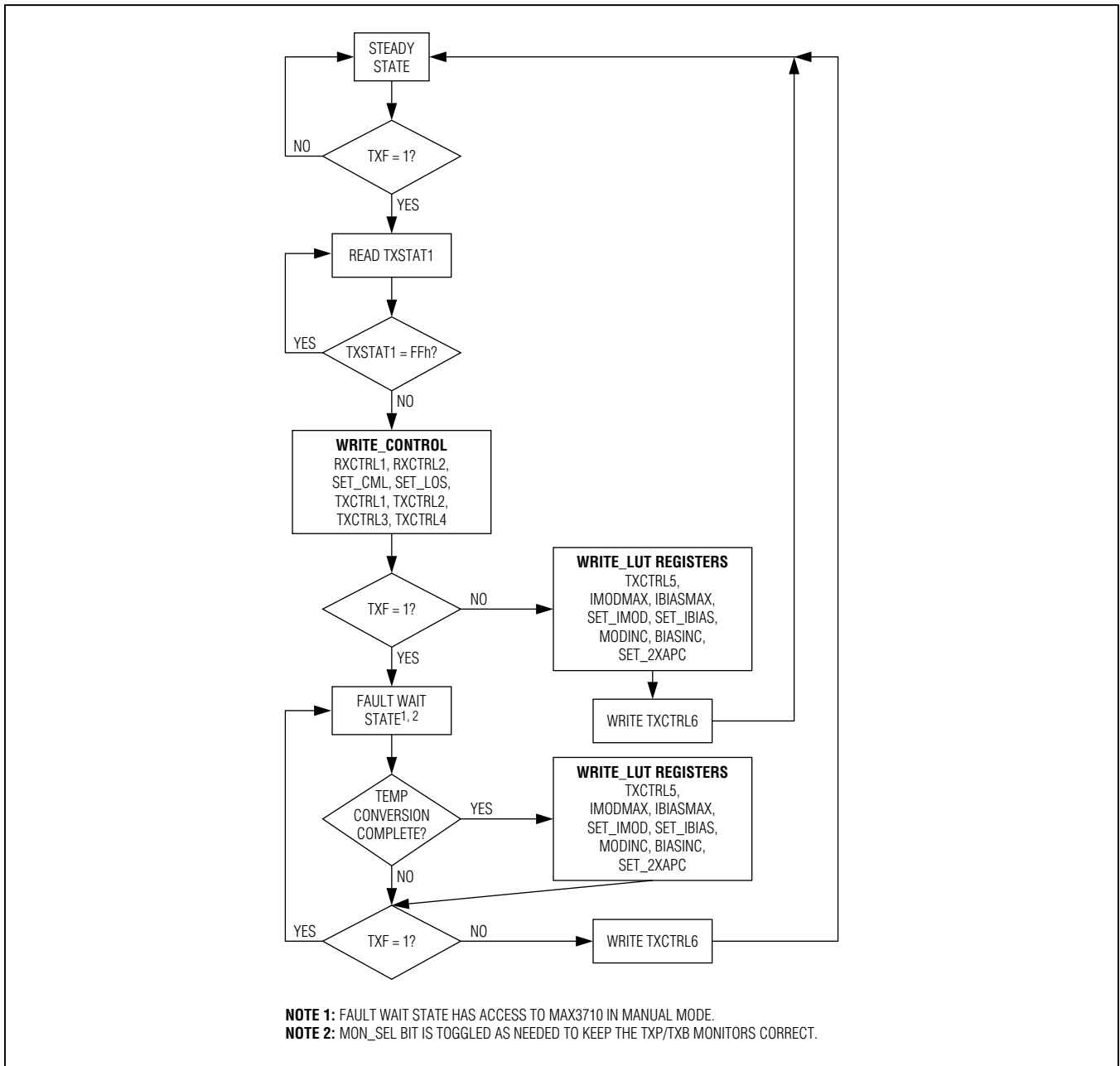


图15. MAX3710掉电检测流程图

3线上电复位

DS1886检测3线从器件上是否发生上电复位，采用如图15所示的流程图实现。

DS1886

带有数字LDD接口的 SFP和PON ONU控制器

DS1886的MAX3710工作模式

用户可以选择开环、APC环路及双闭环工作模式，采用MAX3710 TXCTRL3寄存器(地址H0x08)中的DPC_EN和APC_EN位设置，通过A2h表02h，寄存器E6h编程。表7所示为LUT中对应每种模式的值。改变工作模式时，LUT值不自动更新。

开环模式，DPC_EN = 0、APC_EN = 0

开环模式下，激光器偏置和调制均受控于LUT。每个LUT包括一个温度分辨率高达2°C的8位LUT和一个8位失调LUT。这就使DS1886能够完全支持MAX3710中的10位偏置DAC和9位调制DAC。

APC环路模式，DPC_EN = 0、APC_EN = 1

APC环路或单闭环模式下，激光器偏置受控于APC环路，调制受控于温度索引LUT。APC设置点受控于分辨率高达16°C的LUT。使用分辨率高达2°C的LUT设置APC环路初始值(SET_IBIAS)。调制LUT包括一个温度分辨率高达2°C的8位LUT和一个8位失调LUT。这就使DS1886能够完全支持MAX3710中的10位偏置DAC和9位调制DAC。

双闭环模式，DPC_EN = 1、APC_EN = 1

双闭环模式下，激光器偏置受控于APC环路，调制受控于消光比环路。APC设置点和消光比设置点受控于温度分辨率高达2°C的8位LUT和8位失调LUT。每个环路均使用8字节LUT初始化。

表7. 开环、APC环路及双闭环模式下的DS1886 LUT功能

TABLE	REGISTER	OPEN LOOP	APC LOOP	DUAL CLOSED LOOP
04h	80h-9Fh	—	—	8-bit TXCTRL5[7:0]
	80h-A7h	8-Bit Modulation Value [7:0]	8-Bit Modulation Value [7:0]	—
	F0h-F7h	IMODMAX[8:1]	IMODMAX[8:1]	IMODMAX[8:1]
	F8h-FFh	Modulation Offset [9:2]	Modulation Offset [9:2]	SET_IMOD[8:1] (MOD Initial Value)
06h	80h-9Fh	—	8-Bit APC Value [7:0]	8-Bit APC Value [7:0]
	80h-A7h	8-Bit BIAS Value [7:0]	—	—
	F0h-F7h	IBIASMAX[9:2]	IBIASMAX[9:2]	IBIASMAX[9:2]
	F8h-FFh	BIAS Offset [9:2]	SET_IBIAS[9:2] (BIAS Initial Value)	SET_IBIAS[9:2] (BIAS Initial Value)
08h	F8h-FFh	INCBYTE (set to all zeros)	INCBYTE 7:4 = BIASINC 3:0 = MODINC (set to all zeros)	INCBYTE 7:4 = BIASINC 3:0 = MODINC

DS1886

带有数字LDD接口的 SFP和PON ONU控制器

BIAS、MODULATION、 SET_2XAPC、TXCTRL5 LUT

LUT允许以温度索引BIAS和MODULATION值及其对应失调。根据工作模式(见[DS1886的MAX3710工作模式](#)部分), LUT功能也不同, 如[表7](#)所示。

LUT具有非线性温度索引。每次温度转换之后, 根据内部温度读数, 计算TINDEX值, 然后索引LUT。能够以低至2°C的分辨率索引LUT。

如[表8](#)至[表9](#)所示。BIAS、MODULATION和TXCTRL5为5行LUT。更多详细信息请参见LUT说明。

表8. DS1886 LUT存储器映射(5行表, 温度值单位为°C)

ROW	BYTE 0	BYTE 1	BYTE 2	BYTE 3	BYTE 4	BYTE 5	BYTE 6	BYTE 7
80h	-40	-32	-24	-16	-8	-4	0	+4
88h	+8	+12	+16	+20	+24	+28	+32	+36
90h	+40	+44	+48	+52	+56	+60	+64	+68
98h	+72	+76	+80	+84	+88	+92	+96	+100

表9. DS1886 LUT存储器映射(5行表, TINDEX值为十六进制)

ROW	BYTE 0	BYTE 1	BYTE 2	BYTE 3	BYTE 4	BYTE 5	BYTE 6	BYTE 7
80h	80	84	88	8C	90	92	94	96
88h	98	9A	9C	9E	A0	A2	A4	A6
90h	A8	AA	AC	AE	B0	B2	B4	B6
98h	B8	BA	BC	BE	C0	C2	C4	C6

带有数字LDD接口的 SFP和PON ONU控制器

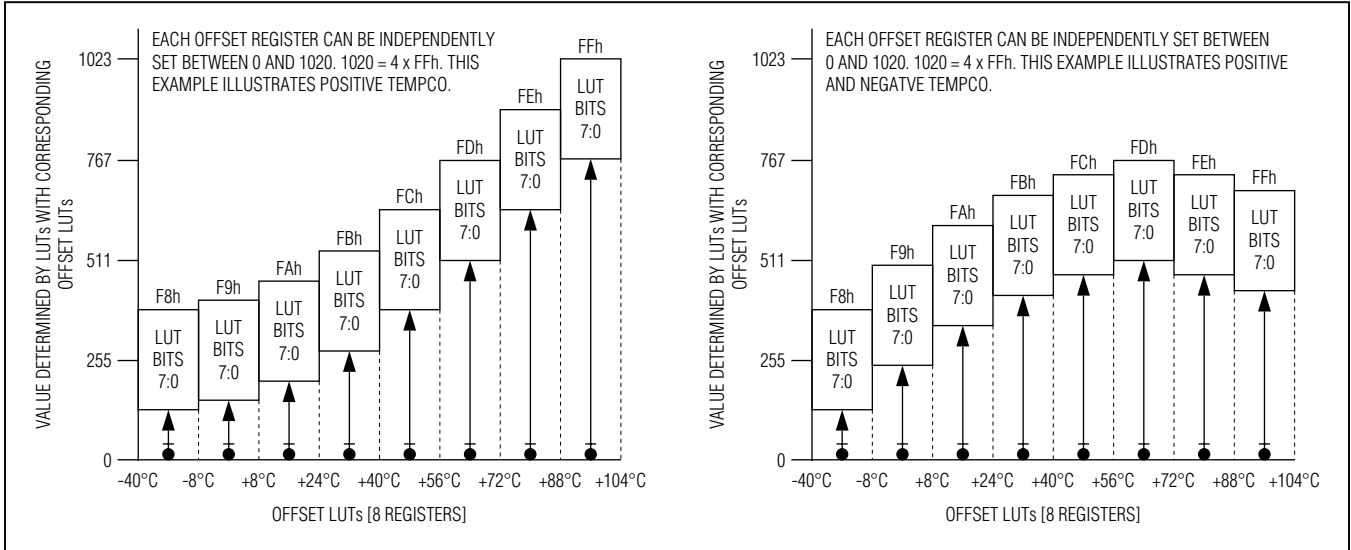


图16. 失调LUT

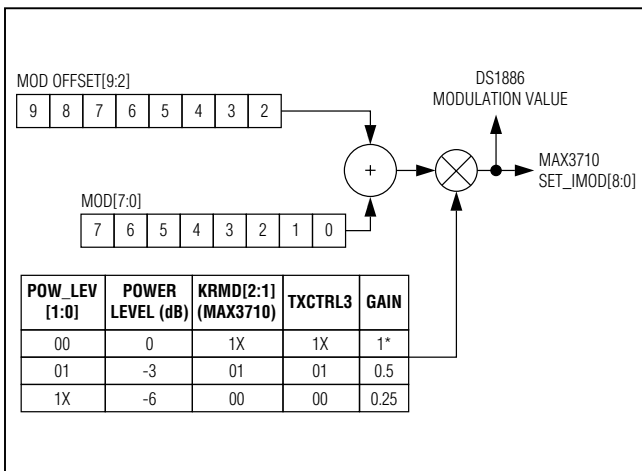


图17. MODULATION LUT (开环和APC模式)

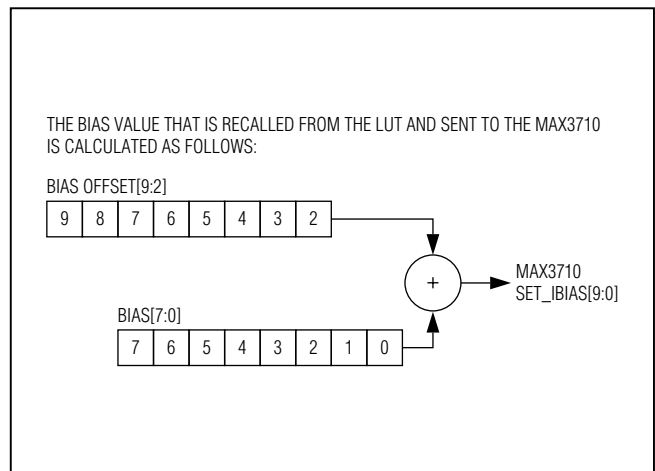


图18. BIAS LUT (开环)

表10. 失调的温度分辨率

ROW	BYTE 0	BYTE 1	BYTE 2	BYTE 3	BYTE 4	BYTE 5	BYTE 6	BYTE 7
F8h	-40°C	-8°C	+8°C	+24°C	+40°C	+56°C	+72°C	+88°C

失调也采用温度索引。图16所示为温度变化时失调对最终输出的影响。

表10所示为失调的温度分辨率。

*MODULATION*值

图17所示为计算从LUT调用的MODULATION值以及将其送至MAX3710的方法。

*BIAS*值

图18所示为计算从LUT调用的BIAS值以及将其送至MAX3710的方法。

带有数字LDD接口的 SFP和PON ONU控制器

表11a. 功率分级详情(DS1863_MODE = 0时, 默认值)

POWER LEVEL (dB)	POW_LEV[1:0] (REGISTER 6Fh)	MODULATION CHANGE	KRMD[2:1] (MAX3710)	TXCTRL3 POW_LEV_INIT
0	00	None	1X	1X
-3	01	Right-shift SET_IMOD once	01	01
-6	1X	Right-shift SET_IMOD twice	00	00

表11b. 功率分级详情(DS1863_MODE = 1时)

POWER LEVEL (dB)	POW_LEV_DS1863[2:0] (REGISTER 8Ch)	MODULATION CHANGE	KRMD[2:1] (MAX3710)
0	000-010	None	1X
-3	011-110	Right-shift SET_IMOD once	01
-6	111	Right-shift SET_IMOD twice	00

功率水平调节

DS1886支持G.984.2协议所述的功率分级。UPDATE [A2h 低地址字节存储器, 寄存器6Fh](#)中的POW_LEV[1:0]位允许设置三种功率分级: 0dB、-3dB和-6dB。根据工作模式, 调整SET_IMOD和KRMD位(MAX3710 TXCTRL3寄存器)组合, 以满足这些功率分级设置。KRMD位调整APC环路和消光比环路的增益。请参见[表11a](#)和[表11b](#)。

MAX3710手动操作

主控制器接口受控于DS1886中的四个寄存器: 3WCTRL、ADDRESS、WRITE和READ。DS1886处于常规工作模式时, 可手动发送命令。也可以挂起正常的3线命令, 从而仅发送手动操作命令(3WCTRL, [A2h表04h, 寄存器F8h-FFh](#))。

I²C通信

I²C定义

下列术语常用于I²C数据传输说明。

主机器件: 主机器件用于控制总线上的从机器件。主机器件产生SCL时钟脉冲以及START和STOP条件。

从机器件: 从器件按照主机请求发送和接收数据。

总线空闲或非忙: STOP和START条件之间、SDA和SCL均无效且处于逻辑高状态的时间。

START条件: START条件由主控制器产生, 以启动与从器件新的数据传输。当SCL保持为高电平时, SDA由高电平到低电平的跳变产生START条件。实际时序请参见[图19](#)。

STOP条件: STOP条件由主控制器产生, 以结束与从器件的数据传输。当SCL保持为高电平时, SDA由低电平到高电平的跳变产生STOP条件。实际时序请参见[图19](#)。

重复START条件: 在一次数据传输结束后, 主机可以采用重复START条件指示在当前数据传输后将立即启动一次新的数据传输。读操作期间, 重复START条件通常表示对一个特定存储地址启动一次数据传输。重复START条件的产生方式与正常START条件完全相同。实际时序请参见[图19](#)。

写位: SDA的跳变只能发生在SCL的低电平状态期间。在SCL脉冲的整个高电平脉冲期间以及所要求的建立和保持时间内, SDA上的数据必须保持有效且不变([图19](#))。在SCL的上升沿将数据移入器件。

读位: 写操作结束后, 主控制器必须在读位期间释放SDA总线, 并在下一个SCL上升沿之前保持合适的建立时间([图19](#))。在前一个SCL脉冲的下降沿, 器件通过SDA逐位移出数据, 数据位在当前SCL脉冲的上升沿有效。注意, 由主机产生所有SCL时钟, 包括从从机读取数据位的时钟。

带有数字LDD接口的 SFP和PON ONU控制器

应答(ACK和NACK): 应答(ACK)或非应答(NACK)通常在字节传输的第9位发送。接收数据的器件(读操作期间的主机或写操作期间的从机)在第9位期间发送0进行ACK。器件通过在第9位发送1执行NACK。ACK和NACK的时序(图19)与其它位的写操作相同。ACK应答器件已经正确收到的数据, NACK用于终止读过程或表示器件没有收到数据。

写字节: 写字节操作包括主机传送到从机的8位信息(最高有效位在前)和从机发送给主机的1位应答。主机按照写位定义完成8位数据的发送, 按照读位定义读取应答。

读字节: 读字节操作是从器件发送到主机的8位信息和主控制器件发送到从器件的1位ACK或NACK。主控制器件按照读位定义读取从器件发送到主控制器件的8位信息(最高有效位在前), 按照写位定义主机发送ACK, 以继续接收其它数据字节。主控制器件必须在最后一个读字节操作后发送NACK, 结束通信, 使从器件将SDA的控制权交还给主控制器件。

从地址字节: I²C总线上的每个从器件响应紧跟START条件之后的从器件地址字节。从地址字节包含从地址(7位最高有效位)和R/W位(最低有效位)。

DS1886响应两个从机地址。辅助存储器始终响应固定的I²C从地址A0h。低地址字节存储器及表00h-08h对应的I²C从机地址可通过DEVICE ADDRESS字节(A2h表02h, 寄存器8Ch)配置为00h-FEh之间的任意值。用户还应将ASEL位(A2h表02h, 寄存器89h)置1, 以激活该地址。写入正确的从地址以及R/W = 0后, 表示主机将向从机写入数据。如果R/W = 1, 主机将从从机读取数据。如果写入错误的从机地址, 器件将判定主机与其它I²C器件通信, 并在下一次发送START条件之前忽略通信操作。如果主控制器件将从机地址设置为A0h, 则禁止访问辅助存储器。

存储器地址: 在向器件进行I²C写操作期间, 主机必须发送一个存储器地址, 以识别从机存储数据的存储器位置。存储器地址始终为写操作期间跟随从机地址字节的第二个发送字节。

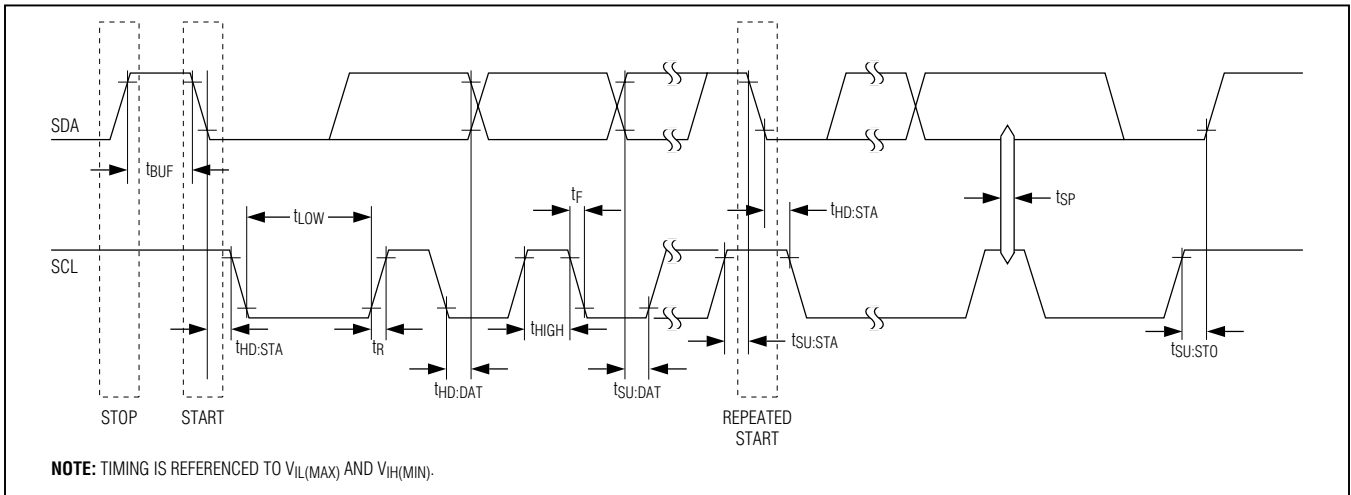


图19. I²C时序图

带有数字LDD接口的 SFP和PON ONU控制器

I²C协议

I²C时序举例请参见图20。

向从器件写单个字节：主控器件必须产生START条件、写从地址字节(R/W = 0)、写存储器地址、写数据字节，并产生STOP条件。注意，主机必须在整个字节写操作期间读取从机发送的应答位。

向从器件写多个字节：为了向从机写入多个字节，主机应产生START条件、写从机地址字节(R/W = 0)、写存储器地址、写入最多8个数据字节并产生STOP条件。器件在单次写传输过程中可以写入1至8个字节(一页或一行)。该过程由内部地址计数器控制，在发送每个数据字节之前无需发送存储器地址即可将数据连续写入后续地址。地址计数器将写操作限制在1个8字节页(存

储页的一行)。如果在两页之间没有发送STOP条件，即尝试写入其它存储器页，这将会导致地址计数器溢出并返回到当前行的起始点。

例如：从地址06h开始进行3个数据字节的写操作，将向3个“连续”地址写入3个数据字节(11h、22h和33h)。最终，地址06h和07h将分别包含11h和22h，而第三个数据字节33h将写入地址00h。

为避免产生溢出，主机应在存储器页的最后发送STOP条件，然后等待总线空闲或经过EEPROM写操作时间。随后，主机可以发送新的START条件，并在写下一个数据之前写入从机地址字节(R/W = 0)和下一行存储器的第一个存储地址。

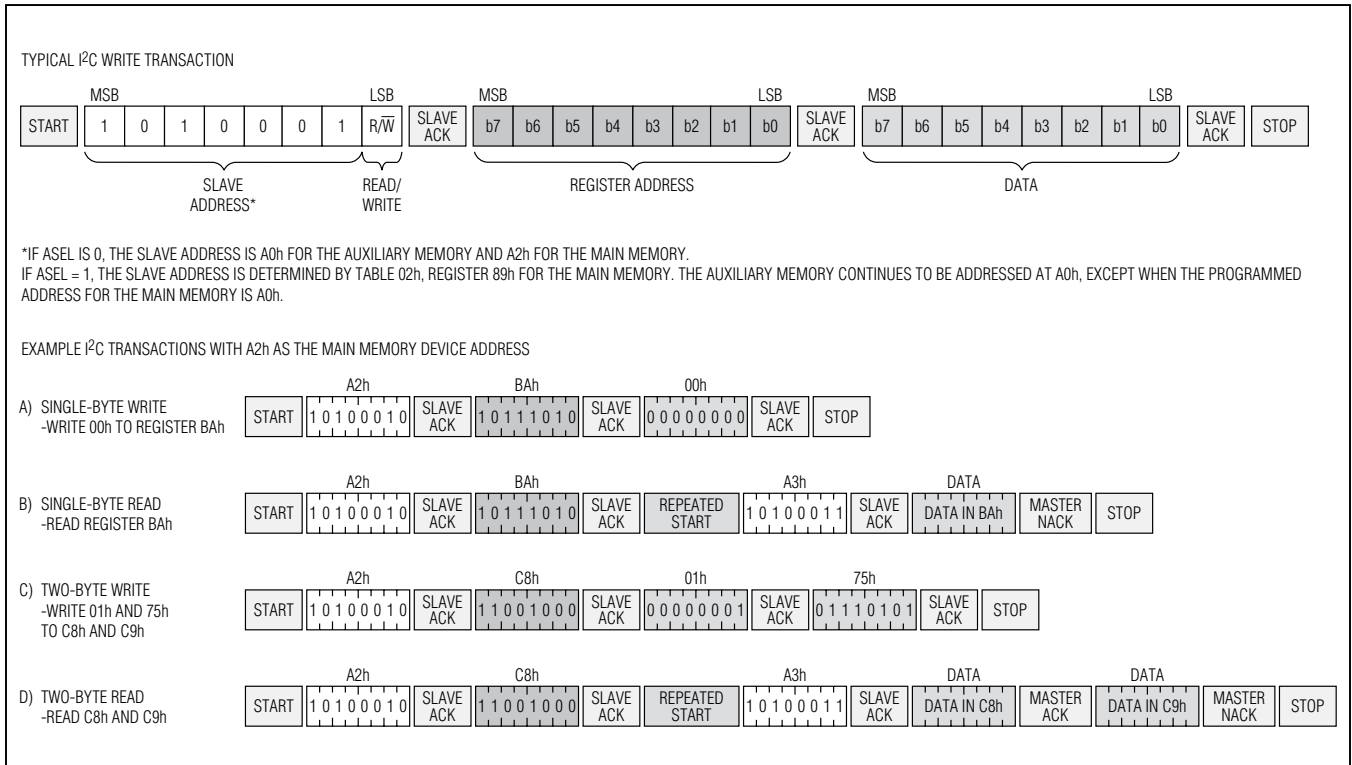


图20. I²C时序举例

带有数字LDD接口的 SFP和PON ONU控制器

存储器结构

应答轮询：任何时间对EEPROM页进行写操作时，器件需要在STOP条件之后预留EEPROM写时间(t_W)，以便将存储器页的内容写入EEPROM。EEPROM写时间内，器件由于处于忙状态不会应答其从地址。可以利用这一优势对该器件进行重复寻址，在该器件能够接收数据时立刻对下一页进行写操作。应答轮询的替代方法是：在对器件尝试下一次写操作时等待最大周期 t_W 。

EEPROM写周期：进行EEPROM写操作时，器件将对整个EEPROM存储页面进行写操作，即使该页面只有一个字节需要修改。可以不对页面上的全部8个字节进行修改，这种方式不会改写相同存储器页的其它字节。因为是对整个页面进行写操作，通信过程中即使存储器页面不做改动的字节仍然需要写操作。对单个字节重复进行写操作会磨损整个页面。每次只改写1个字节要比每次改写整页对EEPROM的磨损高出八倍。器件的EEPROM写次数如[Nonvolatile Memory Characteristics](#)表所示。该指标是在最差温度条件下的规格。很多写操作发生在室温，因此实际结果可能是这一规格的十倍。评估EEPROM的预计使用次数时， $SEEB = 1$ 时对SRAM映射EEPROM存储器的写操作不计入EEPROM写次数。

从从器件读单个字节：与写操作中利用存储器地址字节定义数据写入位置不同，读操作地址对应于存储器地址计数器的当前值。为了从从器件读取单个字节，主控器件必须产生START条件、写从地址字节($R/\overline{W} = 1$)、读数据字节并发送NACK表示传输结束，然后产生STOP条件。

读操作时修改地址计数器：可以采用空写操作将地址指针指向一个特定位置。为此，主机可以产生一个START条件，写从机地址字节($R/\overline{W} = 0$)，写入需要读取数据的存储器地址，产生一次重复START条件，写从机地址字节($R/\overline{W} = 1$)，并以ACK或NACK响应读取的数据，最后发送STOP条件。

以下章节给出了器件的寄存器定义(见[图21](#)中的存储器映射)。每个寄存器或寄存器行均具有一个访问描述符，以确定读写存储器所需的密码等级。2级密码专门用于模块生产商访问；1级密码为终端用户需要保护的内容提供另一级保护。许多寄存器始终可读，但需要密码才能进行写操作。一些寄存器没有密码是无法读取的。下列访问代码说明了PW_ENA ([A2h表02h, 寄存器C0h](#))和PW_ENB ([A2h表02h, 寄存器C1h](#))出厂时设置的DS1886访问模式。

ACCESS CODE	READ ACCESS	WRITE ACCESS
<0>	At least 1 byte/bit in the row/byte is different than the rest of the row/byte, so look at each byte/bit separately for permissions.	
<1>	Read all	Write PW2
<2>	Read all	Write not applicable
<3>	Read all	Write all, but the device hardware also writes to these bytes/bits
<4>	Read PW2	Write PW2 + mode_bit
<5>	Read all	Write all
<6>	Read not applicable	Write all
<7>	Read PW1	Write PW1
<8>	Read PW2	Write PW2
<9>	Read not applicable	Write PW2
<10>	Read PW2	Write not applicable
<11>	Read all	Write PW1

DS1886

带有数字LDD接口的 SFP和PON ONU控制器

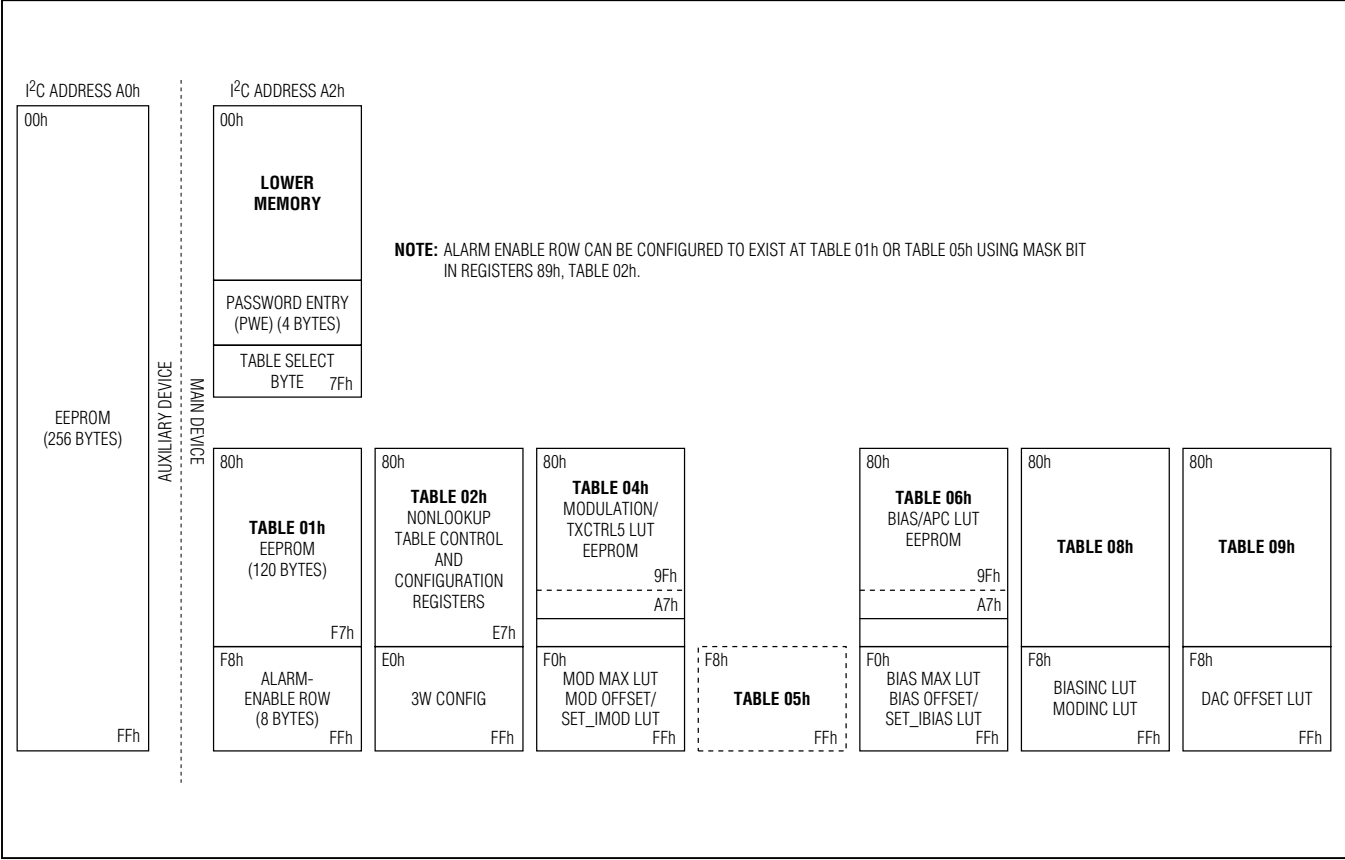


图21. 存储器结构

DS1886

带有数字LDD接口的 SFP和PON ONU控制器

寄存器说明

寄存器图按行表示存储器的每个字节/字(2字节)。每行的第一个字节位于最左边一列中的行地址存储器。每行随后的每一个字节占一个/两个存储器位置，这超出了之前的字节/字地址。每行总共八个字节。关于这些字节的更详细信息，请参见相关寄存器说明。

A2h低地址字节存储器寄存器

LOWER MEMORY									
ROW (HEX)	ROW NAME	WORD 0		WORD 1		WORD 2		WORD 3	
		BYTE 0/8	BYTE 1/9	BYTE 2/A	BYTE 3/B	BYTE 4/C	BYTE 5/D	BYTE 6/E	BYTE 7/F
00	<1>THRESHOLD ₀	TEMP ALARM HI		TEMP ALARM LO		TEMP WARN HI		TEMP WARN LO	
08	<1>THRESHOLD ₁	V _{CC} ALARM HI		V _{CC} ALARM LO		V _{CC} WARN HI		V _{CC} WARN LO	
10	<1>THRESHOLD ₂	TXB ALARM HI		TXB ALARM LO		TXB WARN HI		TXB WARN LO	
18	<1>THRESHOLD ₃	TXP ALARM HI		TXP ALARM LO		TXP WARN HI		TXP WARN LO	
20	<1>THRESHOLD ₄	RSSI ALARM HI		RSSI ALARM LO		RSSI WARN HI		RSSI WARN LO	
28-37	EMPTY	EMPTY	EMPTY	EMPTY	EMPTY	EMPTY	EMPTY	EMPTY	EMPTY
38-5F	<1>EEPROM	EE	EE	EE	EE	EE	EE	EE	EE
60	<2>ADC VALUES ₀	TEMP VALUE		V _{CC} VALUE		TXB VALUE		TXP VALUE	
68	<0>ADC VALUES ₁	<2>RSSI VALUE		<2>RESERVED		<2>RESERVED		<0>STATUS	<3>UPDATE
70	<5>ALARM/WARN	ALARM ₃	ALARM ₂	RESERVED	RESERVED	WARN ₃	WARN ₂	RESERVED	RESERVED
78	<0> TABLE SELECT	<5>RESERVED	<5>RESERVED	<5>RESERVED	<6>PWE MSW	<6>PWE MSW	<6>PWE LSW	<6>PWE LSW	<5>TBL SEL

A2h表01h寄存器

A2h TABLE 01h									
ROW (HEX)	ROW NAME	WORD 0		WORD 1		WORD 2		WORD 3	
		BYTE 0/8	BYTE 1/9	BYTE 2/A	BYTE 3/B	BYTE 4/C	BYTE 5/D	BYTE 6/E	BYTE 7/F
80-BF	<7>EEPROM	EE	EE	EE	EE	EE	EE	EE	EE
C0-F7	<8>EEPROM	EE	EE	EE	EE	EE	EE	EE	EE
F8	<6>ALARM ENABLE	ALARM EN ₃	ALARM EN ₂	RESERVED	RESERVED	WARN EN ₃	WARN EN ₂	RESERVED	RESERVED

注：ALARM ENABLE字节(寄存器F8h–FFh)可以通过MASK位(A2h表02h, 寄存器89h)配置为存放于表05h，而不是此处的A2h表01h。如果该行配置到A2h表05，A2h表01h的这些位为EE。

访问代码表示PW_ENA (A2h表02h, 寄存器C0h)和PW_ENB (A2h表02h, 寄存器C1h)的工厂默认值。

ACCESS CODE	<0>	<1>	<2>	<3>	<4>	<5>	<6>	<7>	<8>	<9>	<10>	<11>
Read Access	See each bit/byte separately	All	All	All	PW2	All	N/A	PW1	PW2	N/A	PW2	All
Write Access		PW2	N/A	All and device hardware	PW2 + mode bit	All	All	PW1	PW2	PW2	N/A	PW1

DS1886

带有数字LDD接口的 SFP和PON ONU控制器

A2h表02h寄存器

A2h TABLE 02h (PW2)									
ROW (HEX)	ROW NAME	WORD 0		WORD 1		WORD 2		WORD 3	
		BYTE 0/8	BYTE 1/9	BYTE 2/A	BYTE 3/B	BYTE 4/C	BYTE 5/D	BYTE 6/E	BYTE 7/F
80	<0>CONFIG ₀	<8>MODE	<4>TINDEX	<4>MODULATION VALUE		RESERVED	<4>APC VALUE	<4>SET_IBIAS VALUE	
88	<8>CONFIG ₁	DACFS	CNFGA	CNFGB	CNFGC	RESERVED	CNFGD	RSHIFT ₁	RSHIFT ₀
90	<8>SCALE ₀	XOVER COARSE		V _{CC} SCALE		TXB SCALE		TXP SCALE	
98	<8>SCALE ₁	RSSI FINE SCALE		RESERVED		RSSI COARSE SCALE		RESERVED	
A0	<8>OFFSET ₀	XOVER FINE		V _{CC} OFFSET		TXB OFFSET		TXP OFFSET	
A8	<8>OFFSET ₁	RSSI FINE OFFSET		RESERVED		RSSI COARSE OFFSET		INTERNAL TEMP OFFSET*	
B0	<9>PWD VALUE	PW1 MSW		PW1 LSW		PW2 MSW		PW2 LSW	
B8	EMPTY	EMPTY	EMPTY	EMPTY	EMPTY	EMPTY	EMPTY	EMPTY	EMPTY
C0	<8>PWD ENABLE	PW_ENA	PW_ENB	RESERVED	RESERVED	RESERVED	RESERVED	RESERVED	TBLSEL PON
C8	<0>MAXROW	<4>DAC VALUE	<4>DAC VALUE	<4>INCBYTE	<4>TXCTRL5 DPC	<4>IMODMAX	<4>IBIASMAX	<10>DEVICE ID	<10>DEVICE VER
D0-DF	EMPTY	EMPTY	EMPTY	EMPTY	EMPTY	EMPTY	EMPTY	EMPTY	EMPTY
E0	<8>3W CONFIG ₀	RXCTRL1	RXCTRL2	SETCML	SETLOSH	TXCTRL1	TXCTRL2	TXCTRL3	TXCTRL4
E8	<8>3W CONFIG ₁	TXCTRL5 APC OL	TXCTRL6	TXCTRL7	RESERVED	SETLOSH_3945	SETLOSL_3945	SET_LOS TIMER_3945	3WSET
F0	<0>3W CONFIG ₂	<8>3WCTRL	<8>ADDRESS	<8>WRITE	<10>READ	<10>TXSTAT2	<10>TXSTAT1	<10>DPCSTAT	<10>RXSTAT
F8	EMPTY	EMPTY	EMPTY	EMPTY	EMPTY	EMPTY	EMPTY	EMPTY	EMPTY

* 写该寄存器之前，最终结果应与BB40h异或。

** 不要对该寄存器进行写操作。

访问代码表示PW_ENA (A2h表02h, 寄存器C0h)和PW_ENB (A2h表02h, 寄存器C1h)的工厂默认值。

ACCESS CODE	<0>	<1>	<2>	<3>	<4>	<5>	<6>	<7>	<8>	<9>	<10>	<11>
Read Access	See each bit/byte separately	All	All	All	PW2	All	N/A	PW1	PW2	N/A	PW2	All
Write Access		PW2	N/A	All and device hardware	PW2 + mode bit	All	All	PW1	PW2	PW2	N/A	PW1

DS1886

带有数字LDD接口的 SFP和PON ONU控制器

A2h表04h寄存器

A2h TABLE 04h (MODULATION OR TXCTRL5 LUT)									
ROW (HEX)	ROW NAME	WORD 0		WORD 1		WORD 2		WORD 3	
		BYTE 0/8	BYTE 1/9	BYTE 2/A	BYTE 3/B	BYTE 4/C	BYTE 5/D	BYTE 6/E	BYTE 7/F
80-A7	<8>MODULATION/ TXCTRL5	SEE TABLE DESCRIPTION							
A8-EF	EMPTY	EMPTY	EMPTY	EMPTY	EMPTY	EMPTY	EMPTY	EMPTY	EMPTY
F0	<8>IMODMAX	MOD MAX LUT	MOD MAX LUT	MOD MAX LUT	MOD MAX LUT	MOD MAX LUT	MOD MAX LUT	MOD MAX LUT	MOD MAX LUT
F8	<8>MOD OFFSET/ SET_IMOD LUT	SEE TABLE DESCRIPTION							

A2h表05h寄存器

A2h TABLE 05h									
ROW (HEX)	ROW NAME	WORD 0		WORD 1		WORD 2		WORD 3	
		BYTE 0/8	BYTE 1/9	BYTE 2/A	BYTE 3/B	BYTE 4/C	BYTE 5/D	BYTE 6/E	BYTE 7/F
80-F7	EMPTY	EMPTY	EMPTY	EMPTY	EMPTY	EMPTY	EMPTY	EMPTY	EMPTY
F8	<8>ALARM ENABLE	ALARM EN ₃	ALARM EN ₂	RESERVED	RESERVED	WARN EN ₃	WARN EN ₂	RESERVED	RESERVED

注：A2h表05h默认条件下空。可配置为包含MASK位使能(A2h表02h，寄存器89h)的A2h表01h，寄存器F8h-FFh的报警和预警使能字节。这种情况下，A2h表01h为空。

A2h表06h寄存器

A2h TABLE 06h (BIAS OR APC LUT)									
ROW (HEX)	ROW NAME	WORD 0		WORD 1		WORD 2		WORD 3	
		BYTE 0/8	BYTE 1/9	BYTE 2/A	BYTE 3/B	BYTE 4/C	BYTE 5/D	BYTE 6/E	BYTE 7/F
80-A7	<8>BIAS/APC LUT	SEE TABLE DESCRIPTION							
A8-EF	EMPTY	EMPTY	EMPTY	EMPTY	EMPTY	EMPTY	EMPTY	EMPTY	EMPTY
F0	<8>IBIASMAX	BIAS MAX LUT	BIAS MAX LUT	BIAS MAX LUT	BIAS MAX LUT	BIAS MAX LUT	BIAS MAX LUT	BIAS MAX LUT	BIAS MAX LUT
F8	<8>BIAS/SET_IBIAS OFF	SEE TABLE DESCRIPTION							

访问代码表示PW_ENA (A2h表02h，寄存器C0h)和PW_ENB (A2h表02h，寄存器C1h)的工厂默认值。

ACCESS CODE	<0>	<1>	<2>	<3>	<4>	<5>	<6>	<7>	<8>	<9>	<10>	<11>
Read Access	See each bit/byte separately	All	All	All	PW2	All	N/A	PW1	PW2	N/A	PW2	All
Write Access		PW2	N/A	All and device hardware	PW2 + mode bit	All	All	PW1	PW2	PW2	N/A	PW1

DS1886

带有数字LDD接口的 SFP和PON ONU控制器

A2h表08h寄存器

A2h TABLE 08h (INC LUT)									
ROW (HEX)	ROW NAME	WORD 0		WORD 1		WORD 2		WORD 3	
		BYTE 0/8	BYTE 1/9	BYTE 2/A	BYTE 3/B	BYTE 4/C	BYTE 5/D	BYTE 6/E	BYTE 7/F
80-F7	EMPTY	EMPTY	EMPTY	EMPTY	EMPTY	EMPTY	EMPTY	EMPTY	EMPTY
F8-FF	<8>INCROW	INCBYTE	INCBYTE	INCBYTE	INCBYTE	INCBYTE	INCBYTE	INCBYTE	INCBYTE

A2h表09h寄存器

A2h TABLE 09h (DAC OFFSET LUT)									
ROW (HEX)	ROW NAME	WORD 0		WORD 1		WORD 2		WORD 3	
		BYTE 0/8	BYTE 1/9	BYTE 2/A	BYTE 3/B	BYTE 4/C	BYTE 5/D	BYTE 6/E	BYTE 7/F
80-F7	EMPTY	EMPTY	EMPTY	EMPTY	EMPTY	EMPTY	EMPTY	EMPTY	EMPTY
F8-FF	<8>DAC OFFSET	DACOFF	DACOFF	DACOFF	DACOFF	DACOFF	DACOFF	DACOFF	DACOFF

辅助存储器A0h寄存器

AUXILIARY MEMORY (A0h)									
ROW (HEX)	ROW NAME	WORD 0		WORD 1		WORD 2		WORD 3	
		BYTE 0/8	BYTE 1/9	BYTE 2/A	BYTE 3/B	BYTE 4/C	BYTE 5/D	BYTE 6/E	BYTE 7/F
00-7F	<5>AUX EE	EE	EE	EE	EE	EE	EE	EE	EE
80-FF	<5>AUX EE	EE	EE	EE	EE	EE	EE	EE	EE

访问代码表示PW_ENA (A2h表02h, 寄存器C0h)和PW_ENB (A2h表02h, 寄存器C1h)的工厂默认值。

ACCESS CODE	<0>	<1>	<2>	<3>	<4>	<5>	<6>	<7>	<8>	<9>	<10>	<11>
Read Access	See each bit/byte separately	All	All	All	PW2	All	N/A	PW1	PW2	N/A	PW2	All
Write Access		PW2	N/A	All and device hardware	PW2 + mode bit	All	All	PW1	PW2	PW2	N/A	PW1

DS1886

带有数字LDD接口的 SFP和PON ONU控制器

A2h低地址字节存储器寄存器说明

A2h低地址字节存储器，寄存器00h–01h：TEMP ALARM HI

A2h低地址字节存储器，寄存器04h–05h：TEMP WARN HI

工厂默认值	7FFFh
读操作	全部
写操作	PW2
存储器类型	非易失(SEE)

00h, 04h	S	2^6	2^5	2^4	2^3	2^2	2^1	2^0
01h, 05h	2^{-1}	2^{-2}	2^{-3}	2^{-4}	2^{-5}	2^{-6}	2^{-7}	2^{-8}
	BIT 7			BIT 0				

高于二进制补码门限的温度测量更新值将置位相应的报警和告警位，等于或低于该门限的温度测量更新值将清零报警和告警位。

A2h低地址字节存储器，寄存器02h–03h：TEMP ALARM LO

A2h低地址字节存储器，寄存器06h–07h：TEMP WARN LO

工厂默认值	8000h
读操作	全部
写操作	PW2
存储器类型	非易失(SEE)

02h, 06h	S	2^6	2^5	2^4	2^3	2^2	2^1	2^0
03h, 07h	2^{-1}	2^{-2}	2^{-3}	2^{-4}	2^{-5}	2^{-6}	2^{-7}	2^{-8}
	BIT 7			BIT 0				

低于二进制补码门限的温度测量更新值将置位相应的报警和告警位，等于或高于该门限的温度测量更新值将清零报警和告警位。

DS1886

带有数字LDD接口的 SFP和PON ONU控制器

A2h低地址字节存储器, 寄存器08h–09h: V_{CC} ALARM HI
 A2h低地址字节存储器, 寄存器0Ch–0Dh: V_{CC} WARN HI
 A2h低地址字节存储器, 寄存器10h–11h: TXB ALARM HI
 A2h低地址字节存储器, 寄存器14h–15h: TXB WARN HI
 A2h低地址字节存储器, 寄存器18h–19h: TXP ALARM HI
 A2h低地址字节存储器, 寄存器1Ch–1Dh: TXP WARN HI
 A2h低地址字节存储器, 寄存器20h–21h: RSSI ALARM HI
 A2h低地址字节存储器, 寄存器24h–25h: RSSI WARN HI

工厂默认值	FFFFh
读操作	全部
写操作	PW2
存储器类型	非易失(SEE)

08h, 0Ch, 10h, 14h, 18h, 1Ch, 20h, 24h	2 ¹⁵	2 ¹⁴	2 ¹³	2 ¹²	2 ¹¹	2 ¹⁰	2 ⁹	2 ⁸
09h, 0Dh, 11h, 15h, 19h, 1Dh, 21h, 25h	2 ⁷	2 ⁶	2 ⁵	2 ⁴	2 ³	2 ²	2 ¹	2 ⁰
	BIT 7							BIT 0

高于这一无符号门限的电压测量更新值将置位相应的报警和告警位，等于或低于该门限的电压测量值将清零报警和告警位。

DS1886

带有数字LDD接口的 SFP和PON ONU控制器

A2h低地址字节存储器, 寄存器0Ah–0Bh: V_{CC} ALARM LO
 A2h低地址字节存储器, 寄存器0Eh–0Fh: V_{CC} WARN LO
 A2h低地址字节存储器, 寄存器12h–13h: TXB ALARM LO
 A2h低地址字节存储器, 寄存器16h–17h: TXB WARN LO
 A2h低地址字节存储器, 寄存器1Ah–1Bh: TXP ALARM LO
 A2h低地址字节存储器, 寄存器1Eh–1Fh: TXP WARN LO
 A2h低地址字节存储器, 寄存器22h–23h: RSSI ALARM LO
 A2h低地址字节存储器, 寄存器26h–27h: RSSI WARN LO

工厂默认值	0000h
读操作	全部
写操作	PW2
存储器类型	非易失(SEE)

0Ah, 0Eh, 12h, 16h, 1Ah, 1Eh, 22h, 26h	2 ¹⁵	2 ¹⁴	2 ¹³	2 ¹²	2 ¹¹	2 ¹⁰	2 ⁹	2 ⁸
0Bh, 0Fh, 13h, 17h, 1Bh, 1Fh, 23h, 27h	2 ⁷	2 ⁶	2 ⁵	2 ⁴	2 ³	2 ²	2 ¹	2 ⁰
	BIT 7							BIT 0

低于这一无符号门限的电压测量更新值将置位相应的报警和告警位，等于或高于这一门限的电压测量值将清零报警和告警位。

DS1886

带有数字LDD接口的 SFP和PON ONU控制器

A2h低地址字节存储器，寄存器28h–37h: EMPTY

工厂默认值	
读操作	N/A
写操作	N/A
存储器类型	

这些寄存器为空。

A2h低地址字节存储器，寄存器38h–5Fh: EE

工厂默认值	00h
读操作	全部
写操作	PW2
存储器类型	非易失(EE)

38h–5Fh	EE	EE	EE	EE	EE	EE	EE	EE
	BIT 7							BIT 0

受PW2级访问控制的EEPROM。

A2h低地址字节存储器，寄存器60h–61h: TEMP VALUE

工厂默认值	0000h
读操作	全部
写操作	N/A
存储器类型	易失

60h	S	2^6	2^5	2^4	2^3	2^2	2^1	2^0
61h	2^{-1}	2^{-2}	2^{-3}	2^{-4}	2^{-5}	2^{-6}	2^{-7}	2^{-8}
	BIT 7							BIT 0

带符号的二进制补码直接温度测量值。

DS1886

带有数字LDD接口的 SFP和PON ONU控制器

A2h低地址字节存储器，寄存器62h–63h: V_{CC} VALUE
 A2h低地址字节存储器，寄存器64h–65h: TXB VALUE
 A2h低地址字节存储器，寄存器66h–67h: TXP VALUE
 A2h低地址字节存储器，寄存器68h–69h: RSSI VALUE

上电时的数值	0000h
读操作	全部
写操作	N/A
存储器类型	易失

62h, 64h, 66h, 68h	2 ¹⁵	2 ¹⁴	2 ¹³	2 ¹²	2 ¹¹	2 ¹⁰	2 ⁹	2 ⁸
63h, 65h, 67h, 69h	2 ⁷	2 ⁶	2 ⁵	2 ⁴	2 ³	2 ²	2 ¹	2 ⁰
	BIT 7							BIT 0

左对齐的无符号电压测量值。

A2h低地址字节存储器，寄存器6Ah–6Dh: 保留

上电时的数值	00h
读操作	N/A
写操作	N/A
存储器类型	

这些寄存器保留。

DS1886

带有数字LDD接口的 SFP和PON ONU控制器

A2h低地址字节存储器，寄存器6Eh：状态

上电时的数值	X0XX 0XXXb
读操作	全部
写操作	见下文说明
存储器类型	易失

Write Access 6Eh	N/A	All	N/A	All	All	N/A	N/A	N/A
	TXDS	TXDC	TXFIS	RSELS	RESERVED	TXFOUTS	RXL	RDYB
	BIT 7			BIT 0				

BIT 7	TXDS: TXD状态位。反映TXD引脚的逻辑状态(只读)。 0 = TXD引脚为逻辑低电平。 1 = TXD引脚为逻辑高电平。
BIT 6	TXDC: TXD软件控制位。该位可以提供与TXD引脚一样的软件控制，更多信息请参见关于TXD的部分。该值与TXD引脚的逻辑值进行线或操作(所有用户均可对其进行写操作)。 0 = (默认)。 1 = 无论TXD引脚为何值，强制器件进入TXD状态。
BIT 5	TXFIS: 反映TXF引脚的状态。状态也包括INVTXFI位引起的任何反相(只读)。 0 = TXF引脚为低电平(INVTXFI位引起的任何反相之后)。 1 = TXF引脚为高电平(INVTXFI位引起的任何反相之后)。
BIT 4	RSELS: RSEL状态位。反映RSEL引脚的逻辑状态(只读)。 0 = RSEL引脚为逻辑低电平。 1 = RSEL引脚为逻辑高电平。
BIT 3	保留
BIT 2	TXFOUTS: TXFOUT状态。表示开漏输出试图达到的状态。 0 = TXFOUT正在拉低。 1 = TXFOUT为高阻。
BIT 1	RXL: 反映LOS引脚的驱动状态(只读)。 0 = LOS引脚驱动为低电平。 1 = LOS引脚拉为高电平。
BIT 0	RDYB: 准备就绪。 0 = V_{CC} 超过POA。 1 = V_{CC} 低于POA和/或电压太低无法通过I ² C总线通信。

DS1886

带有数字LDD接口的 SFP和PON ONU控制器

A2h低地址字节存储器，寄存器6Fh：UPDATE

上电时的数值	00h
读操作	全部
写操作	全部及DS1886硬件
存储器类型	易失

6Fh	TEMP RDY	VCC RDY	TXB RDY	TXP RDY	RSSI RDY	RSSIR	POW_LEV1	POW_LEV0
	BIT 7				BIT 0			

BITS 7:3	完成转换更新。上电时，这些位清零，并在每次转换完成后置位。可以清零这些位以验证一次新的转换完成。
BIT 2	RSSIR : RSSI范围。报告用于RSSI转换更新的范围。 0 = 报告数值的精测范围。 1 = 报告数值的粗测范围。
BITS 1:0	POW_LEV[1:0] : 功率水平。只有当A2h表02h，寄存器8Dh (CNFGD)中的DS1863_MODE位为0时，这些位才有效。这些位更改MAX3710位KRMD[2:1]，以调节MD输入阻抗。更多详细信息请参见功率分级部分。

DS1886

带有数字LDD接口的 SFP和PON ONU控制器

A2h低地址字节存储器，寄存器70h：ALARM₃

上电时的数值	10h
读操作	全部
写操作	N/A
存储器类型	易失

70h	TEMP HI	TEMP LO	VCC HI	VCC LO	TXB HI	TXB LO	TXP HI	TXP LO
	BIT 7							BIT 0

BIT 7	TEMP HI: 温度测量的高温报警状态。 0 = (默认)上次测量的温度值等于或低于门限设定值。 1 = 上次测量的温度值高于门限设定值。
BIT 6	TEMP LO: 温度测量的低温报警状态。 0 = (默认)上次测量的温度值等于或高于门限设定值。 1 = 上次测量的温度值低于门限设定值。
BIT 5	VCC HI: V _{CC} 测量的高电压报警状态。 0 = (默认)上次测量值等于或低于门限设定值。 1 = 上次测量值高于门限设定值。
BIT 4	VCC LO: V _{CC} 测量的低电压报警状态。当V _{CC} 电源低于POA触发点时，该位置位。完成V _{CC} 测量并且V _{CC} 高于下限时，该位自动清零。 0 = 上次测量值等于或高于门限设定值。 1 = (默认)上次测量值低于门限设定值。
BIT 3	TXB HI: TXB测量的上限报警状态。 0 = (默认)上次测量值等于或低于门限设定值。 1 = 上次测量值高于门限设定值。
BIT 2	TXB LO: TXB测量的下限报警状态。 0 = (默认)上次测量值等于或高于门限设定值。 1 = 上次测量值低于门限设定值。
BIT 1	TXP HI: TXP测量的上限报警状态。 0 = (默认)上次测量值等于或低于门限设定值。 1 = 上次测量值高于门限设定值。
BIT 0	TXP LO: TXP测量的下限报警状态。 0 = (默认)上次测量值等于或高于门限设定值。 1 = 上次测量值低于门限设定值。

DS1886

带有数字LDD接口的 SFP和PON ONU控制器

A2h低地址字节存储器，寄存器71h：ALARM₂

上电时的数值	00h
读操作	全部
写操作	N/A
存储器类型	易失

71h	RSSI HI	RSSI LO	RESERVED	RESERVED	RESERVED	IN1S	RESERVED	TXFINT
	BIT 7						BIT 0	

BIT 7	RSSI HI: RSSI测量的上限报警状态。TXD事件不会清除该报警状态。 0 = (默认)上次测量值等于或低于门限设定值。 1 = 上次测量值高于门限设定值。
BIT 6	RSSI LO: RSSI测量的下限报警状态。TXD事件不会清除该报警状态。 0 = (默认)上次测量值等于或高于门限设定值。 1 = 上次测量值低于门限设定值。
BITS 5:3	保留
BIT 2	IN1S: IN1状态位。反映IN1引脚的逻辑状态(只读)。 0 = IN1引脚为逻辑低电平。 1 = IN1引脚为逻辑高电平。
BIT 1	保留
BIT 0	TXFINT: TXFOUT中断。此位为所有报警与告警状态和相应使能位“线与”后进行线或的结果。使能位如A2h表01h/05h，寄存器F8–FFh所示

A2h低地址字节存储器，寄存器72h–73h：保留

上电时的数值	00h
读操作	全部
写操作	N/A
存储器类型	

这些寄存器保留。

DS1886

带有数字LDD接口的 SFP和PON ONU控制器

A2h低地址字节存储器，寄存器74h：WARN₃

上电时的数值	10h
读操作	全部
写操作	N/A
存储器类型	易失

74h	TEMP HI	TEMP LO	VCC HI	VCC LO	TXB HI	TXB LO	TXP HI	TXP LO
	BIT 7							BIT 0

BIT 7	TEMP HI: 温度测量的高温告警状态。 0 = (默认)上次测量值等于或低于门限设定值。 1 = 上次测量值高于门限设定值。
BIT 6	TEMP LO: 温度测量的低温告警状态。 0 = (默认)上次测量的温度值等于或高于门限设定值。 1 = 上次测量的温度值低于门限设定值。
BIT 5	VCC HI: V _{CC} 测量的高电压告警状态。 0 = (默认)上次测量值等于或低于门限设定值。 1 = 上次测量值高于门限设定值。
BIT 4	VCC LO: V _{CC} 测量的低电压告警状态。当V _{CC} 电源低于POA触发点时，该位置1。完成V _{CC} 测量并且V _{CC} 高于下限时，该位自动清零。 0 = 上次测量值等于或高于门限设定值。 1 = (默认)上次测量值低于门限设定值。
BIT 3	TXB HI: TXB测量的上限告警状态。 0 = (默认)上次测量值等于或低于门限设定值。 1 = 上次测量值高于门限设定值。
BIT 2	TXB LO: TXB测量的下限告警状态。 0 = (默认)上次测量值等于或高于门限设定值。 1 = 上次测量值低于门限设定值。
BIT 1	TXP HI: TXP测量的上限告警状态。 0 = (默认)上次测量值等于或低于门限设定值。 1 = 上次测量值高于门限设定值。
BIT 0	TXP LO: TXP测量的下限告警状态。 0 = (默认)上次测量值等于或高于门限设定值。 1 = 上次测量值低于门限设定值。

DS1886

带有数字LDD接口的 SFP和PON ONU控制器

A2h低地址字节存储器，寄存器75h：WARN₂

上电时的数值	00h
读操作	全部
写操作	N/A
存储器类型	易失

75h	RSSI HI	RSSI LO	RESERVED	RESERVED	RESERVED	RESERVED	RESERVED	RESERVED
	BIT 7							BIT 0

BIT 7	RSSI HI: RSSI测量的上限告警状态。 0 = (默认)上次测量值等于或低于门限设定值。 1 = 上次测量值高于门限设定值。
BIT 6	RSSI LO: RSSI测量的下限告警状态。 0 = (默认)上次测量值等于或高于门限设定值。 1 = 上次测量值低于门限设定值。
BITS 5:0	保留

A2h低地址字节存储器，寄存器76h–7Ah：保留

上电时的数值	00h
读操作	N/A
写操作	N/A
存储器类型	

这些寄存器保留。

DS1886

带有数字LDD接口的 SFP和PON ONU控制器

A2h低地址字节存储器，寄存器7Bh–7Eh：PASSWORD ENTRY (PWE)

上电时的数值	FFFF FFFFh
读操作	N/A
写操作	全部
存储器类型	易失

7Bh	2 ³¹	2 ³⁰	2 ²⁹	2 ²⁸	2 ²⁷	2 ²⁶	2 ²⁵	2 ²⁴	
7Ch	2 ²³	2 ²²	2 ²¹	2 ²⁰	2 ¹⁹	2 ¹⁸	2 ¹⁷	2 ¹⁶	
7Dh	2 ¹⁵	2 ¹⁴	2 ¹³	2 ¹²	2 ¹¹	2 ¹⁰	2 ⁹	2 ⁸	
7Eh	2 ⁷	2 ⁶	2 ⁵	2 ⁴	2 ³	2 ²	2 ¹	2 ⁰	
	BIT 7							BIT 0	

DS1886有两个密码，每个密码长度为4字节。低级密码(PW1)提供所有普通用户存储器的访问权限以及PW1允许的访问权限；高级密码(PW2)提供所有PW1支持的访问权限以及PW2允许的访问权限。密码值存储于PW2存储器的EEPROM。上电时，所有PWE位设置为1。对这些地址的读操作将返回数值0。

A2h低地址字节存储器，寄存器7Fh：TBL SEL

上电时的数值	TBLSELPON (A2h表02h，寄存器C7h)。
读操作	全部
写操作	全部
存储器类型	易失

7Fh	2 ⁷	2 ⁶	2 ⁵	2 ⁴	2 ³	2 ²	2 ¹	2 ⁰	
	BIT 7							BIT 0	

DS1886的高字节存储器表可以通过在该寄存器中写入所要求的表格数值进行访问。此寄存器上电时的数值由写入TBLSELPON (A2h表02，寄存器C7h)的数值决定。

DS1886

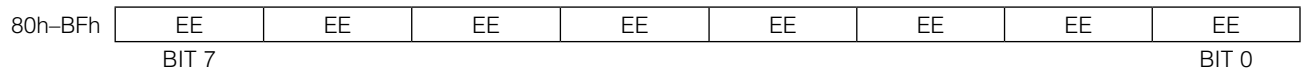
带有数字LDD接口的 SFP和PON ONU控制器

A2h表01h寄存器说明

A2h表05h可配置为包含MASK位使能([A2h表02h, 寄存器89h](#))的A2h表01h, 寄存器F8h–FFh的报警和预警使能字节。这种情况下, A2h表01h中的对应位为空。

A2h表01h, 寄存器80h–BFh: EEPROM

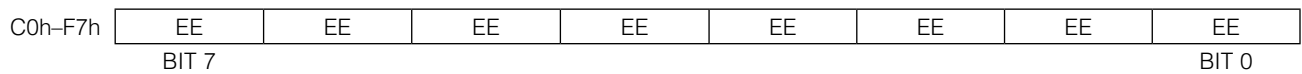
上电时的数值	00h
读操作	PW2或(PW1和RWTBL1A)或(PW1和RTBL1A)
写操作	PW2或(PW1和RWTBL1A)
存储器类型	非易失(EE)



PW1和/或PW2级访问的EEPROM。

A2h表01h, 寄存器C0h–F7h: EEPROM

上电时的数值	00h
读操作	PW2或(PW1和RWTBL1B)或(PW1和RTBL1B)
写操作	PW2或(PW1和RWTBL1B)
存储器类型	PW2或(PW1和RWTBL1B)



PW1和/或PW2级访问的EEPROM。

DS1886

带有数字LDD接口的 SFP和PON ONU控制器

A2h表01h, 寄存器F8h: ALARM EN₃

上电时的数值	00h
读操作	PW2或(PW1和RWTBL1C)或(PW1和RTBL1C)
写操作	PW2或(PW1和RWTBL1C)
存储器类型	非易失(SEE)

F8h	TEMP HI	TEMP LO	VCC HI	VCC LO	TXB HI	TXB LO	TXP HI	TXP LO
	BIT 7							BIT 0

布局与低地址字节存储器，寄存器70h中的ALARM3相同。使能报警产生TXFINT逻辑电平(低地址字节，寄存器71h)。MASK位(A2h表02h，寄存器89h)决定该存储器是否位于A2h表01h或05h。位于A2h表05h时，A2h表01h中的该位置变为EE。

BIT 7	TEMP HI: 0 = 禁止TEMP HI报警中断。 1 = 使能TEMP HI报警中断。
BIT 6	TEMP LO: 0 = 禁止TEMP LO报警中断。 1 = 使能TEMP LO报警中断。
BIT 5	VCC HI: 0 = 禁止VCC HI报警中断。 1 = 使能VCC HI报警中断。
BIT 4	VCC LO: 0 = 禁止VCC LO报警中断。 1 = 使能VCC LO报警中断。
BIT 3	TXB HI: 0 = 禁止TXB HI报警中断。 1 = 使能TXB HI报警中断。
BIT 2	TXB LO: 0 = 禁止TXB LO报警中断。 1 = 使能TXB LO报警中断。
BIT 1	TXP HI: 0 = 禁止TXP HI报警中断。 1 = 使能TXP HI报警中断。
BIT 0	TXP LO: 0 = 禁止TXP LO报警中断。 1 = 使能TXP LO报警中断。

DS1886

带有数字LDD接口的 SFP和PON ONU控制器

A2h表01h, 寄存器F9h: ALARM EN₂

上电时的数值	00h
读操作	PW2或(PW1和RWTBL1C)或(PW1和RTBL1C)
写操作	PW2或(PW1和RWTBL1C)
存储器类型	存储器类型

F9h	RSSI HI	RSSI LO	RESERVED	RESERVED	RESERVED	IN1EN	RESERVED	RESERVED
	BIT 7							BIT 0

布局与低地址字节存储器，寄存器71h中的ALARM2相同。使能报警产生TXFINT逻辑电平(低地址字节，寄存器71h)。MASK位(A2h表02h，寄存器89h)决定该存储器是否位于A2h表01h或05h。位于A2h表05h时，A2h表01h中的该位置变为EE。

BIT 7	RSSI HI: 0 = 禁止RSSI HI报警中断。 1 = 使能RSSI HI报警中断。
BIT 6	RSSI LO: 0 = 禁止RSSI LO报警中断。 1 = 使能RSSI LO报警中断。
BITS 5:3	保留
BIT 2	IN1EN 0 = 禁止IN1输入引脚中断。 1 = 使能IN1输入引脚中断。
BIT 0	保留

A2h表01h, 寄存器FAh–FBh: 保留

上电时的数值	00h
读操作	N/A
写操作	N/A
存储器类型	非易失(SEE)

这些寄存器保留。位于A2h表05h时，A2h表01h中的该位置变为EE。

DS1886

带有数字LDD接口的 SFP和PON ONU控制器

A2h表01h, 寄存器FCh: WARN EN₃

上电时的数值	00h
读操作	PW2或(PW1和RWTBL1C)或(PW1和RTBL1C)
写操作	PW2或(PW1和RWTBL1C)
存储器类型	非易失(SEE)

FCh	TEMP HI	TEMP LO	VCC HI	VCC LO	TXB HI	TXB LO	TXP HI	TXP LO
	BIT 7							BIT 0

布局与低地址字节存储器，寄存器74h中的WARN3相同。使能告警产生TXFINT逻辑电平(低地址字节，寄存器71h)。MASK位(A2h表02h，寄存器89h)决定该存储器是否位于A2h表01h或05h。位于A2h表05h时，A2h表01h中的该位置变为EE。

BIT 7	TEMP HI: 0 = 禁止TEMP HI告警中断。 1 = 使能TEMP HI告警中断。
BIT 6	TEMP LO: 0 = 禁止TEMP LO告警中断。 1 = 使能TEMP LO告警中断。
BIT 5	VCC HI: 0 = 禁止VCC HI告警中断。 1 = 使能VCC HI告警中断。
BIT 4	VCC LO: 0 = 禁止VCC LO告警中断。 1 = 使能VCC LO告警中断。
BIT 3	TXB HI: 0 = 禁止TXB HI告警中断。 1 = 使能TXB HI告警中断。
BIT 2	TXB LO: 0 = 禁止TXB LO告警中断。 1 = 使能TXB LO告警中断。
BIT 1	TXP HI: 0 = 禁止TXP HI告警中断。 1 = 使能TXP HI告警中断。
BIT 0	TXP LO: 0 = 禁止TXP LO告警中断。 1 = 使能TXP LO告警中断。

DS1886

带有数字LDD接口的 SFP和PON ONU控制器

A2h表01h, 寄存器FDh: WARN EN₂

上电时的数值	00h
读操作	PW2或(PW1和RWTBL1C)或(PW1和RTBL1C)
写操作	PW2或(PW1和RWTBL1C)
存储器类型	非易失(SEE)

FDh	RSSI HI	RSSI LO	RESERVED	RESERVED	RESERVED	RESERVED	RESERVED	RESERVED
	BIT 7							BIT 0

布局与低地址字节存储器, 寄存器75h中的WARN2相同。使能告警产生TXFINT逻辑电平(低地址字节, 寄存器71h)。MASK位(A2h表02h, 寄存器89h)决定该存储器是否位于A2h表01h或05h。位于A2h表05h时, A2h表01h中的该位置变为EE。

BIT 7	RSSI HI: 0 = 禁止RSSI HI告警中断。 1 = 使能RSSI HI告警中断。
BIT 6	RSSI LO: 0 = 禁止RSSI LO告警中断。 1 = 使能RSSI LO告警中断。
BITS 5:0	保留

A2h表01h, 寄存器FEh–FFh: 保留或EE

上电时的数值	00h
读操作	N/A
写操作	N/A
存储器类型	非易失(SEE)

这些寄存器保留。

DS1886

带有数字LDD接口的 SFP和PON ONU控制器

A2h表02h寄存器说明

A2h表02h, 寄存器80h: MODE

上电时的数值	7Fh
读操作	PW2或(PW1和RWTBL246)或(PW1和RBL246)
写操作	PW2或(PW1和RWTBL246)
存储器类型	易失

80h	SEEB	INCROW LUT EN	TXCTRL5 LUT EN	BIAS LUT EN	AEN	MOD LUT EN	APC LUT EN	DAC LUT EN
	BIT 7							BIT 0

BIT 7	<p>SEEB: 0 = (默认)使能EEPROM写入SEE字节。 1 = 配置期间禁止EEPROM写入SEE字节, 保证器件配置不会因为EE周期而延迟。一旦确认数值, 将该位写0, 并重新将需要写入EEPROM的数据写入SEE位置。</p>
BIT 6	<p>INCROW LUT EN: 0 = INCROW寄存器由用户控制。利用3线接口写入INCROW寄存器值, 从而允许用户通过写INCROW寄存器值对其模块进行交互测试。APC环路模式下, 只更新BIASINC[3:0]; DPC环路模式下, 更新BIASINC[3:0]和MODINC[3:0]。 1 = (默认)使能INCROW寄存器自动控制。</p>
BIT 5	<p>TXCTRL5 LUT EN: 0 = 用户可写入TXCTRL5 DPC寄存器, 禁止LUT调用。 1 = (默认)使能TXCTRL5的LUT自动控制。</p>
BIT 4	<p>BIAS LUT EN: 0 = SET_IBIAS和IBIASMAX寄存器由用户控制。利用3线接口写入SET_IBIAS和IBIASMAX值, 从而允许用户通过直接控制SET_IBIAS和IBIASMAX对其模块进行交互测试。 1 = (默认)使能SET_IBIAS和IBIASMAX的LUT控制。</p>
BIT 3	<p>AEN: 0 = 用户可写入温度计算索引值TINDEX, 禁止更新计算索引值, 从而允许用户通过控制查找表索引对其模块进行交互测试。从LUT调用的数值在下次温度转换完成后出现在DAC寄存器。 1 = (默认)内部温度传感器决定TINDEX的值。</p>
BIT 2	<p>MOD LUT EN: 0 = MODULATION VALUE和IMODMAX寄存器由用户控制。利用3线接口写入MODULATION VALUE和IMODMAX值, 从而允许用户通过直接控制MODULATION VALUE和IMODMAX对其模块进行交互测试。 1 = (默认)使能MODULATION VALUE和IMODMAX的LUT控制。</p>
BIT 1	<p>APC LUT EN: 0 = APC VALUE寄存器由用户控制。利用3线接口写入APC VALUE值, 从而允许用户通过直接控制APC VALUE寄存器对其模块进行交互测试。 1 = (默认)使能APC VALUE的LUT控制。</p>
BIT 0	<p>DAC LUT EN: 详细信息请参见Δ-Σ输出和基准部分。 0 = 用户可写入DAC VALUE, 禁止DAC公式计算, 从而允许用户通过写入DAC的数值对其模块进行交互测试。写周期结束时, 输出刷新为新数值。通过I²C的STOP条件终止写操作。 1 = (默认)使能DAC VALUE的LUT自动控制。</p>

DS1886

带有数字LDD接口的 SFP和PON ONU控制器

A2h表02h, 寄存器81h: Temperature Index (TINDEX)

工厂默认值	00h
读操作	PW2或(PW1和RWTBL246)或(PW1和RBL246)
写操作	(PW2和AEN = 0)或(PW1和RWTBL246, AEN = 0)
存储器类型	易失

81h	2^7	2^6	2^5	2^4	2^3	2^2	2^1	2^0
	BIT 7							BIT 0

基于温度测量结果保持计算索引值, 对表04h、06h和08h进行查找时, 索引用于寻址。低于-40°C或高于+102°C的温度测量值分别钳位至80h和C7h。TINDEX计算公式如下:

$$TINDEX = \frac{Temp_Value + 40^{\circ}C}{2^{\circ}C} + 80h$$

对于温度索引LUT, 每个表格查找期间的索引如下:

A2h Table 04h (MOD)	1	TINDEX ₆	TINDEX ₅	TINDEX ₄	TINDEX ₃	TINDEX ₂	TINDEX ₁	TINDEX ₀
A2h Table 06h (APC)	1	0	TINDEX ₆	TINDEX ₅	TINDEX ₄	TINDEX ₃	TINDEX ₂	TINDEX ₁

A2h表02h, 寄存器82h-83h: MODULATION VALUE

工厂默认值	0000h
读操作	PW2或(PW1和RWTBL246)或(PW1和RBL246)
写操作	(PW2和MOD LUT EN = 0)或(PW1和RWTBL246, MOD LUT EN = 0)
存储器类型	易失

82h	0	0	0	0	0	0	0	2^8
83h	2^7	2^6	2^5	2^4	2^3	2^2	2^1	2^0
	BIT 7							BIT 0

用于MOD的数字值, 通过TINDEX内的调节存储器地址从A2h表04h调用。寄存器在温度转换结束时更新。

A2h表02h, 寄存器84h: 保留

工厂默认值	00h
读操作	N/A
写操作	N/A
存储器类型	非易失(SEE)

该寄存器保留。

DS1886

带有数字LDD接口的 SFP和PON ONU控制器

A2h表02h, 寄存器85h: APC VALUE

工厂默认值	0000h
读操作	PW2或(PW1和RWTBL246)或(PW1和RBL246)
写操作	(PW2和APC LUT EN = 0)或(PW1和RWTBL246, APC LUT EN = 0)
存储器类型	易失

	27	26	25	24	23	22	21	20
85h								BIT 0
	BIT 7							

用于APC的数字值，在APC和双闭环模式下通过TINDEX内的调节存储器地址从A2h表06h调用。寄存器在温度转换结束时更新。

A2h表02h, 寄存器86h–87h: SET_IBIAS VALUE

工厂默认值	0000h
读操作	PW2或(PW1和RWTBL246)或(PW1和RBL246)
写操作	(PW2和APC LUT EN = 0)或(PW1和RWTBL246, APC LUT EN = 0)
存储器类型	易失

	0	0	0	0	0	0	2 ⁹	2 ⁸
86h								BIT 0
87h	27	26	25	24	23	22	21	20
	BIT 7							

用于BIAS的数字值，在开环模式下通过TINDEX内的调节存储器地址从A2h表06h调用。寄存器在温度转换结束时更新。

A2h表02h, 寄存器88h: DACFS

工厂默认值	FFh
读操作	PW2或(PW1和RWTBL246)或(PW1和RBL246)
写操作	PW2或(PW1和RWTBL246)
存储器类型	非易失(SEE)

	2 ⁹	2 ⁸	2 ⁷	2 ⁶	2 ⁵	2 ⁴	2 ³	2 ²
88h								BIT 0
	BIT 7							

DACFS设置DAC的温度补偿斜率。与DAC OFFSET和TINDEX配合，允许DAC产生与温度成线性关系的输出。更多信息请参见[DAC输出和基准](#)部分。

DS1886

带有数字LDD接口的 SFP和PON ONU控制器

A2h表02h, 寄存器89h: CNFGA

工厂默认值	82h
读操作	PW2或(PW1和RWTBL246)或(PW1和RBL246)
写操作	PW2或(PW1和RWTBL246)
存储器类型	非易失(SEE)

89h	LOSC	RESERVED	INV LOS	RESERVED	MASK	RESERVED	BURST_MODE	INVTXFI
	BIT 7							BIT 0

BIT 7	LOSC: 使能输入引脚LOS影响LOSOUT。 0 = LOSOUT受LOS输入影响。 1 = LOSOUT不受LOS输入变化的影响。
BIT 6	保留
BIT 5	INV LOS: 将缓冲输入引脚LOS反相至输出引脚LOSOUT。 0 = LOS同相输出至LOSOUT引脚。 1 = LOS反相输出至LOSOUT引脚。
BIT 4	保留
BIT 3	MASK: 0 = 报警使能行位于A2h表01h, 寄存器F8h-FFh中; A2h表05h, 寄存器F8h-FFh为空。 1 = 报警使能行位于A2h表05h, 寄存器F8h-FFh中; A2h表01h, 寄存器F8h-FFh为空。
BIT 2	保留
BIT 1	BURST_MODE: 0 = TXP由TXMON输入驱动 1 = TXP由MD0和MD1计算得到, 通过3线接口从MAX3710读取。
BIT 0	INVTXFI: 允许TXF输入引脚驱动的信号反相。 0 = (默认) TXF信号不反相。 1 = TXF信号反相。

DS1886

帶有数字LDD接口的 SFP和PON ONU控制器

A2h表02h, 寄存器8Ah: CNFGB

工厂默认值	40h
读操作	PW2或(PW1和RWTL246)或(PW1和RBL246)
写操作	PW2或(PW1和RWTL246)
存储器类型	非易失(SEE)

8Ah	RESERVED	BIASMOD_RSTEN	RESERVED	RESERVED	RESERVED	ALATCH	RESERVED	WLATCH
	BIT 7						BIT 0	

BIT 7	保留
BIT 6	BIASMOD_RSTEN: 0 = BIASREG和MODREG置0时不引起重启。 1 = (默认) MAX3710中的BIASREG = 0或MODREG = 0时, TXCTRL6重启, 软复位位置1。
BITS 5:3	保留
BIT 2	ALATCH: ADC报警的比较结果锁存。A2h表01h, 寄存器70h-71h。 0 = ADC报警标志指示上次比较的状态。 1 = ADC报警标志保持置位。
BIT 1	保留
BIT 0	WLATCH: ADC告警的比较结果锁存。A2h表01h, 寄存器74h-75h。 0 = ADC告警标志指示上次比较的状态。 1 = ADC告警标志保持置位。

DS1886

带有数字LDD接口的 SFP和PON ONU控制器

A2h表02h, 寄存器8Bh: CNFGC

工厂默认值	10h
读操作	PW2或(PW1和RWTBL246)或(PW1和RBL246)
写操作	PW2或(PW1和RWTBL246)
存储器类型	非易失(SEE)

8Bh	XOVEREN	RESERVED	TXDM3	BIASMODEVFL_FLT	TXDFLT	TXDIO	RSSI_FC	RSSI_FF
	BIT 7							BIT 0

BIT 7	XOVEREN: RSSI转换期间, 使能RSSI转换使用的XOVER值(A2h表02h, 寄存器90h-91h)。0 = 在线性RSSI测量中使用滞回。1 = XOVER值使能用于非线性RSSI测量。
BIT 6	保留
BIT 5	TXDM3: TXD事件期间, 使能TXD复位与RSSI相关的报警和告警。0 = TXD事件不影响RSSI报警和告警。1 = TXD事件期间, 复位RSSI报警和告警。
BIT 4	BIASMODEVFL_FLT: 0 = MAX3710中DPCSTAT寄存器的IBIASOVFL和IMODOVFL位不影响TXFOUT。 1 = MAX3710中DPCSTAT寄存器的IBIASOVFL或IMODOVFL位置1时, TXFOUT引脚设置为1。
BIT 3	TXDFLT: 请参见图10。 0 = TXF引脚不影响TXDOUT。 1 = 使能TXF引脚, 与其它可能的信号进行“或”操作产生TXDOUT。
BIT 2	TXDIO: 请参见图10。 0 = (默认)使能TXD输入信号, 与其它可能的信号进行“或”操作产生TXDOUT。 1 = TXD输入信号不影响TXDOUT。
BITS 1:0	RSSI_FC和RSSI_FF: RSSI强制粗测和RSSI强制精测。RSSI转换操作时的RSSI模式控制位。 00b = (默认) RSSI常规工作模式。 01b = RSSI转换采用精测量程和失调设置。 10b = RSSI转换采用粗测量程和失调设置。 11b = RSSI常规工作模式。

A2h表02h, 寄存器8Ch: 保留

上电时的数值	00h
读操作	N/A
写操作	N/A
存储器类型	

该寄存器保留。

DS1886

带有数字LDD接口的 SFP和PON ONU控制器

A2h表02h, 寄存器8Dh: CNFGD

工厂默认值	00h
读操作	PW2或(PW1和RWTBL246)或(PW1和RBL246)
写操作	PW2或(PW1和RWTBL246)
存储器类型	非易失(SEE)

8Dh	INV_DAC	RESERVED	RESERVED	RESERVED	DS1863_MODE	POW_LEV_DS1863	
	BIT 7						BIT 0

BIT 7	INV_DAC: 0 = DAC输出反相。 1 = DAC输出同相。	
BITS 6:4	保留	
BIT 3	DS1863_MODE: 0 = 常规工作。A2h低地址字节存储器, 寄存器6Fh定义功率分级。 1 = DS1863模式。该模式一般用于从DS1863进行系统升级。该模式下, 由POW_LEV_DS1863位直接写入MAX3710中的KRMD[2:0]位。	
BITS 2:0	POW_LEV_DS1863[2:0]	POWER LEVEL (dB)
	000	0
	001	0
	010	0
	011	-3
	100	-3
	101	-3
	110	-6
111	-6	

A2h表02h, 寄存器8Eh: RIGHT-SHIFT₁ (RSHIFT₁)

工厂默认值	00h
读操作	PW2或(PW1和RWTBL246)或(PW1和RBL246)
写操作	PW2或(PW1和RWTBL246)
存储器类型	非易失(SEE)

8Eh	RESERVED	TXB ₂	TXB ₁	TXB ₀	RESERVED	TXP ₂	TXP ₁	TXP ₀
	BIT 7							BIT 0

允许右移TXB和TXP电压测量的最终结果。可以将测量范围调节至最小满量程电压, 右移最终测量结果以保证读数具有正确的LSB权重。

DS1886

带有数字LDD接口的 SFP和PON ONU控制器

A2h表02h, 寄存器8Fh: RIGHT-SHIFT₀ (RSHIFT₀)

工厂默认值	30h
读操作	PW2或(PW1和RWTBL246)或(PW1和RBL246)
写操作	PW2或(PW1和RWTBL246)
存储器类型	非易失(SEE)

8Fh	RESERVED	RSSIF ₂	RSSIF ₁	RSSIF ₀	RESERVED	RSSIC ₂	RSSIC ₁	RSSIC ₀
	BIT 7							BIT 0

允许右移RSSI精测和粗测电压的最终结果。可以将测量范围调节至最小满量程电压，右移最终测量结果以保证读数具有正确的LSB权重。

A2h表02h, 寄存器90h–91h: XOVER COARSE

工厂默认值	0000h
读操作	PW2或(PW1和RWTBL2)或(PW1和RTBL2)
写操作	PW2或(PW1和RWTBL2)
存储器类型	非易失(SEE)

90h	2 ¹⁵	2 ¹⁴	2 ¹³	2 ¹²	2 ¹¹	2 ¹⁰	2 ⁹	2 ⁸
91h	2 ⁷	2 ⁶	2 ⁵	2 ⁴	2 ³	2 ²	2 ¹	0
	BIT 7							BIT 0

XOVEREN置1时(A2h表02h, 寄存器8Bh), 定义非线性输入RSSI测量的交越值。小于该寄存器的RSSI粗测转换结果(右移之前)被箝位至该寄存器值。

DS1886

带有数字LDD接口的 SFP和PON ONU控制器

- A2h表02h, 寄存器92h–93h: V_{CC} SCALE
- A2h表02h, 寄存器94h–95h: TXB SCALE
- A2h表02h, 寄存器96h–97h: TXP SCALE
- A2h表02h, 寄存器98h–99h: RSSI FINE SCALE
- A2h表02h, 寄存器9Ah–9Bh: 保留
- A2h表02h, 寄存器9Ch–9Dh: RSSI COARSE SCALE

工厂默认值	
读操作	PW2或(PW1和RWTBL246)或(PW1和RBL246)
写操作	PW2或(PW1和RWTBL246)
存储器类型	非易失(SEE)

92h, 94h, 96h, 98h, 9Ch	2 ¹⁵	2 ¹⁴	2 ¹³	2 ¹²	2 ¹¹	2 ¹⁰	2 ⁹	2 ⁸
93h, 95h, 97h, 99h, 9Dh	2 ⁷	2 ⁶	2 ⁵	2 ⁴	2 ³	2 ²	2 ¹	2 ⁰
	BIT 7				BIT 0			

控制满量程电压测量的量程或增益。工厂校准值为V_{CC}提供6.5536V的满量程电压；为TXB、TXP和MON4提供2.5V的满量程电压；为RSSI精测提供0.3125V的满量程电压。

A2h表02h, 寄存器9Eh–9Fh: 保留

工厂默认值	00h
读操作	N/A
写操作	N/A
存储器类型	非易失(SEE)

这些寄存器保留。

DS1886

带有数字LDD接口的 SFP和PON ONU控制器

A2h表02h, 寄存器A0h–A1h: XOVER FINE

工厂默认值	FFFFh
读操作	PW2或(PW1和RWTBL2)或(PW1和RTBL2)
写操作	PW2或(PW1和RWTBL2)
存储器类型	非易失(SEE)

A0h	2 ¹⁵	2 ¹⁴	2 ¹³	2 ¹²	2 ¹¹	2 ¹⁰	2 ⁹	2 ⁸
A1h	2 ⁷	2 ⁶	2 ⁵	2 ⁴	2 ³	2 ²	2 ¹	0
	BIT 7							BIT 0

XOVEREN置1时(A2h表02h, 寄存器8Bh), 定义非线性输入RSSI测量的交越值。大于该寄存器的RSSI精测转换结果(右移之前)要求一次RSSI粗测转换。

- A2h表02h, 寄存器A2h–A3h: V_{CC} OFFSET
- A2h表02h, 寄存器A4h–A5h: TXB OFFSET
- A2h表02h, 寄存器A6h–A7h: TXP OFFSET
- A2h表02h, 寄存器A8h–A9h: RSSI FINE OFFSET
- A2h表02h, 寄存器AAh–ABh: 保留
- A2h表02h, 寄存器ACh–ADh: RSSI COARSE OFFSET

工厂默认值	00h
读操作	PW2或(PW1和RWTBL246)或(PW1和RBL246)
写操作	PW2或(PW1和RWTBL246)
存储器类型	非易失(SEE)

A2h, A4h, A6h, A8h, ACh	S	2 ¹⁵	2 ¹⁴	2 ¹³	2 ¹²	2 ¹¹	2 ¹⁰	2 ⁹
A3h, A5h, A7h, A9h, ADh	2 ⁸	2 ⁷	2 ⁶	2 ⁵	2 ⁴	2 ³	2 ²	2 ¹
	BIT 7							BIT 0

需要时可以对电压测量值进行失调控制。该数值为二进制补码。

DS1886

带有数字LDD接口的 SFP和PON ONU控制器

A2h表02h, 寄存器AEh–AFh: INTERNAL TEMP OFFSET

工厂默认值	
读操作	PW2或(PW1和RWTBL246)或(PW1和RBL246)
写操作	PW2或(PW1和RWTBL246)
存储器类型	非易失(SEE)

AEh	S	2^8	2^7	2^6	2^5	2^4	2^3	2^2	
AFh	2^1	2^0	2^{-1}	2^{-2}	2^{-3}	2^{-4}	2^{-5}	2^{-6}	
	BIT 7						BIT 0		

需要时可以对温度测量值进行失调控制。写该寄存器之前，最终结果应与BB40h异或。工厂校准包含所要求的数值(单位为摄氏度)。

A2h表02h, 寄存器B0h–B3h: PW1

工厂默认值	FFFF FFFFh
读操作	N/A
写操作	PW2或(PW1和WPW1)
存储器类型	非易失(SEE)

B0h	2^{31}	2^{30}	2^{29}	2^{28}	2^{27}	2^{26}	2^{25}	2^{24}	
B1h	2^{23}	2^{22}	2^{21}	2^{20}	2^{19}	2^{18}	2^{17}	2^{16}	
B2h	2^{15}	2^{14}	2^{13}	2^{12}	2^{11}	2^{10}	2^9	2^8	
B3h	2^7	2^6	2^5	2^4	2^3	2^2	2^1	2^0	
	BIT 7						BIT 0		

PWE值与写入这个地址的数值进行比较，以使得能PW1级访问。上电时，PWE值置为全“1”。上电时将这些字节写为全“1”将允许PW1级访问，无需输入密码。读此寄存器时将返回00h。

DS1886

带有数字LDD接口的 SFP和PON ONU控制器

A2h表02h, 寄存器B4h–B7h: PW2

工厂默认值	FFFF FFFFh
读操作	N/A
写操作	PW2
存储器类型	非易失(SEE)

B4h	2 ³¹	2 ³⁰	2 ²⁹	2 ²⁸	2 ²⁷	2 ²⁶	2 ²⁵	2 ²⁴
B5h	2 ²³	2 ²²	2 ²¹	2 ²⁰	2 ¹⁹	2 ¹⁸	2 ¹⁷	2 ¹⁶
B6h	2 ¹⁵	2 ¹⁴	2 ¹³	2 ¹²	2 ¹¹	2 ¹⁰	2 ⁹	2 ⁸
B7h	2 ⁷	2 ⁶	2 ⁵	2 ⁴	2 ³	2 ²	2 ¹	2 ⁰
	BIT 7				BIT 0			

PWE值与写入这个地址的数值进行比较, 以使能PW2级访问。上电时, PWE值置为全“1”。上电时将这此字节写为全“1”将允许PW2级访问, 无需输入密码。读此寄存器时将返回00h。

A2h表02h, 寄存器B8h–BFh: EMPTY

工厂默认值	
读操作	N/A
写操作	N/A
存储器类型	

这些寄存器为空。

DS1886

带有数字LDD接口的 SFP和PON ONU控制器

A2h表02h, 寄存器C0h: PW_ENA

工厂默认值	10h
读操作	PW2或(PW1和RWTBL246)或(PW1和RBL246)
写操作	PW2或(PW1和RWTBL246)
存储器类型	非易失(SEE)

C0h	RWTBL89	RWTBL1C	RWTBL2	RWTBL1A	RWTBL1B	WA2 LOWER	WAUXA	WAUXB
	BIT 7					BIT 0		

BIT 7	RWTBL89: 表08h–09h。 0 = (默认)仅允许对PW2进行读、写操作。 1 = 允许对PW1和PW2进行读、写操作。
BIT 6	RWTBL1C: A2h表01h或05h字节F8–FFh。表地址取决于MASK位(A2h表02h, 寄存器89h)。 0 = (默认)仅允许对PW2进行读、写操作。 1 = 允许对PW1和PW2进行读、写操作。
BIT 5	RWTBL2: 表02h, PW1值位置(A2h表02h, 寄存器B0h–B3h)除外。 0 = (默认)仅允许对PW2进行读、写操作。 1 = 允许对PW1和PW2进行读、写操作。
BIT 4	RWTBL1A: 读和写A2h表01h, 寄存器80h–BFh。 0 = 仅允许对PW2进行读、写操作。 1 = (默认)允许对PW1和PW2进行读、写操作。
BIT 3	RWTBL1B: 读和写A2h表01h, 寄存器C0h–F7h。 0 = (默认)仅允许对PW2进行读、写操作。 1 = 允许对PW1和PW2进行读、写操作。
BIT 2	WA2 LOWER: 写主存储器中的低地址存储器字节00h–5Fh。所有用户均可读取这个区域。 0 = (默认)仅允许对PW2进行写操作。 1 = 允许对PW1和PW2进行写操作。
BIT 1	WAUXA: 写辅助存储器, 寄存器00h–7Fh。所有用户均可读取这个区域(参见A2h表02h, 寄存器C1h, PW_ENB)。 0 = (默认)仅允许对PW2进行写操作。 1 = 允许对PW1和PW2进行写操作。
BIT 0	WAUXB: 写辅助存储器, 寄存器00h–7Fh。所有用户均可读取这个区域(参见A2h表02h, 寄存器C1h, PW_ENB)。 0 = (默认)仅允许对PW2进行写操作。 1 = 允许对PW1和PW2进行写操作。

DS1886

带有数字LDD接口的 SFP和PON ONU控制器

A2h表02h, 寄存器C1h: PW_ENB

工厂默认值	03h
读操作	PW2或(PW1和RWTBL246)或(PW1和RBL246)
写操作	PW2或(PW1和RWTBL246)
存储器类型	非易失(SEE)

C1h	RWTBL46	RTBL1C	RTBL2	RTBL1A	RTBL1B	WPW1	WAUXAU	WAUXBU
	BIT 7							BIT 0

BIT 7	RWTBL46: 读和写表04h和06h。 0 = (默认)仅允许对PW2进行读、写操作。 1 = 允许对PW1和PW2进行读、写操作。
BIT 6	RTBL1C: 读A2h表01h或A2h表05h, 寄存器F8h–FFh。表地址取决于MASK位(A2h表02h, 寄存器89h)。 0 = (默认)仅允许对PW2进行读操作。 1 = 允许对PW1和PW2进行读操作。
BIT 5	RTBL2: 读A2h表02h, PW1值位置(A2h表02h, 寄存器B0h–B3h)除外。 0 = (默认)仅允许对PW2进行读操作。 1 = 允许对PW1和PW2进行读操作。
BIT 4	RTBL1A: 读A2h表01h, 寄存器80h–BFh。 0 = (默认)仅允许对PW2进行读操作。 1 = 允许对PW1和PW2进行读操作。
BIT 3	RTBL1B: 读A2h表01h, 寄存器C0h–F7h。 0 = (默认)仅允许对PW2进行读操作。 1 = 允许对PW1和PW2进行读操作。
BIT 2	WPW1: 写寄存器PW1 (A2h表02h, 寄存器B0h–B3h)。为安全起见, 不允许对这些寄存器进行读操作。 0 = (默认)仅允许对PW2进行写操作。 1 = 允许对PW1和PW2进行写操作。
BIT 1	WAUXAU: 写辅助存储器, 寄存器00h–7Fh。所有用户均可读取这个区域(参见A2h表02h, 寄存器C0h, PW_ENA)。 0 = 仅允许对PW2进行写操作。 1 = (默认)允许用户对PW1和PW2进行写操作。
BIT 0	WAUXBU: 写辅助存储器, 寄存器80h–FFh。所有用户均可读取这个区域(参见A2h表02h, 寄存器C0h, PW_ENA)。 0 = 仅允许对PW2进行写操作。 1 = (默认)允许用户对PW1和PW2进行写操作。

DS1886

带有数字LDD接口的 SFP和PON ONU控制器

A2h表02h, 寄存器C2h–C6h: 保留

工厂默认值	00h
读操作	N/A
写操作	N/A
存储器类型	非易失(SEE)

这些寄存器保留。

A2h表02h, 寄存器C7h: TBLSELPON

工厂默认值	00h
读操作	PW2或(PW1和RWTBL246)或(PW1和RBL246)
写操作	PW2或(PW1和RWTBL246)
存储器类型	非易失(SEE)

C7h	27	26	25	24	23	22	21	20
	BIT 7							BIT 0

上电时, 选择初始值用于TBL SEL字节(低地址字节存储器, 寄存器7Fh)。

A2h表02h, 寄存器C8h–C9h: DAC VALUE

工厂默认值	0000h
读操作	PW2或(PW1和RWTBL246)或(PW1和RBL246)
写操作	(PW2和BIAS LUT EN = 0)或(PW1和RWTBL246, BIAS LUT EN = 0)
存储器类型	易失

C8h	0	0	0	0	0	0	2 ⁹	2 ⁸
C9h	27	26	25	24	23	22	21	20
	BIT 7							BIT 0

DAC_EN = 0时, 或者利用[Δ-Σ输出和基准](#)部分所列的公式计算时, 将值写入至DAC。

DS1886

带有数字LDD接口的 SFP和PON ONU控制器

A2h表02h, 寄存器CAh: INCBYTE

工厂默认值	00h
读操作	PW2或(PW1和RWTBL246)或(PW1和RBL246)
写操作	(PW2和BIAS LUT EN = 0)或(PW1和RWTBL246, BIAS LUT EN = 0)
存储器类型	易失

CAh	2 ³	2 ²	2 ¹	2 ⁰	2 ³	2 ²	2 ¹	2 ⁰
	BIT 7				BIT 0			

7:4: 从LUT写入至MAX3710 BIASINC[3:0]的值, 开环模式下必须置0。
 3:0: 从LUT写入至MAX3710 MODINC[3:0]的值, 开环模式和APC模式下必须置0。

A2h表02h, 寄存器CBh: TXCTRL5 DPC

工厂默认值	00h
读操作	PW2或(PW1和RWTBL246)或(PW1和RBL246)
写操作	(PW2和APC LUT EN = 0)或(PW1和RWTBL246, APC LUT EN = 0)
存储器类型	易失

CBh	2 ⁷	2 ⁶	2 ⁵	2 ⁴	2 ³	2 ²	2 ¹	2 ⁰
	BIT 7				BIT 0			

从TXCTRL5 LUT写入至MAX3710 TXCTRL5的值。TXCTRL5 LUT仅在双闭环模式期间有效。对于开环和APC环路模式, 参见寄存器E8h。

A2h表02h, 寄存器CCh: IMODMAX

工厂默认值	00h
读操作	PW2或(PW1和RWTBL246)或(PW1和RBL246)
写操作	PW2或(PW1和RWTBL246)
存储器类型	易失

CCh	2 ⁸	2 ⁷	2 ⁶	2 ⁵	2 ⁴	2 ³	2 ²	2 ¹
	BIT 7				BIT 0			

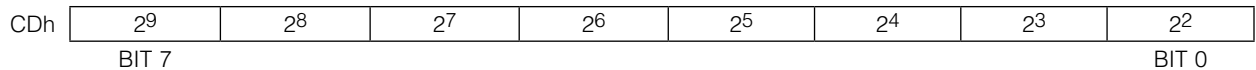
从MOD MAX LUT写入至MAX3710 IMODMAX的值。

DS1886

帶有数字LDD接口的 SFP和PON ONU控制器

A2h表02h, 寄存器CDh: IBIASMAX

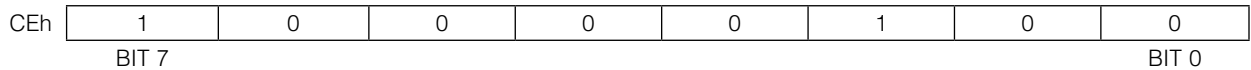
工厂默认值	00h
读操作	PW2或(PW1和RWTBL246)或(PW1和RBL246)
写操作	PW2或(PW1和RWTBL246)
存储器类型	易失



从BIAS MAX LUT写入至MAX3710 IBIASMAX的值。

A2h表02h, 寄存器CEh: DEVICE ID

工厂默认值	86h
读操作	PW2或(PW1和RWTBL246)或(PW1和RBL246)
写操作	N/A
存储器类型	ROM



硬件连接指示器件版本。

A2h表02h, 寄存器CFh: DEVICE VER

工厂默认值	器件版本
读操作	PW2或(PW1和RWTBL246)或(PW1和RBL246)
写操作	N/A
存储器类型	ROM



硬件连接指示器件版本。

DS1886

带有数字LDD接口的 SFP和PON ONU控制器

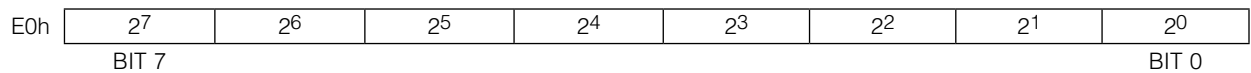
A2h表02h, 寄存器D0h–DFh: EMPTY

工厂默认值	00h
读操作	N/A
写操作	N/A
存储器类型	无

这些寄存器不存在。

A2h表02h, 寄存器E0h: RXCTRL1

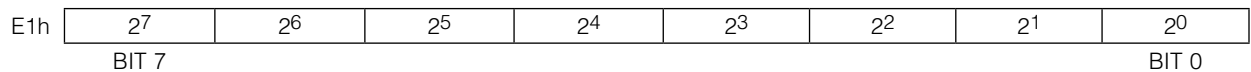
工厂默认值	00h
读操作	PW2或(PW1和RWTBL246)或(PW1和RBL246)
写操作	PW2或(PW1和RWTBL246)
存储器类型	非易失(SEE)



3线从机寄存器。V_{CC}超过POA (POR事件之后)后, Maxim激光驱动器的TX_POR位设置为逻辑高(在3线 TXSTAT1, 位7中可看到); 或者在TXD的上升沿, 通过3线接口将该值写入至Maxim激光驱动器。

A2h表02h, 寄存器E1h: RXCTRL2

工厂默认值	00h
读操作	PW2或(PW1和RWTBL246)或(PW1和RBL246)
写操作	PW2或(PW1和RWTBL246)
存储器类型	非易失(SEE)



3线从机寄存器。V_{CC}超过POA (POR事件之后)后, Maxim激光驱动器的TX_POR位设置为逻辑高(在3线 TXSTAT1, 位7中可看到); 或者在TXD的上升沿, 通过3线接口将该值写入至Maxim激光驱动器。

DS1886

带有数字LDD接口的 SFP和PON ONU控制器

A2h表02h, 寄存器E2h: SETCML

工厂默认值	00h
读操作	PW2或(PW1和RWTBL246)或(PW1和RBL246)
写操作	PW2或(PW1和RWTBL246)
存储器类型	非易失(SEE)

E2h	27	26	25	24	23	22	21	20
	BIT 7							BIT 0

3线从机寄存器。V_{CC}超过POA (POR事件之后)后, Maxim激光驱动器的TX_POR位设置为逻辑高(在3线 TXSTAT1, 位7中可看到); 或者在TXD的上升沿, 通过3线接口将该值写入至Maxim激光驱动器。

A2h表02h, 寄存器E3h: SETLOSH

工厂默认值	00h
读操作	PW2或(PW1和RWTBL246)或(PW1和RBL246)
写操作	PW2或(PW1和RWTBL246)
存储器类型	非易失(SEE)

E3h	27	26	25	24	23	22	21	20
	BIT 7							BIT 0

3线从机寄存器。如果SETLOSCTL为1, 则只写; 如果SETLOSCTL为0, 则使用SETLOSL寄存器。V_{CC}超过POA (POR事件之后)后, Maxim激光驱动器的TX_POR位设置为逻辑高(在3线 TXSTAT1, 位7中可看到); 或者在TXD的上升沿, 通过3线接口将该值写入至Maxim激光驱动器。

A2h表02h, 寄存器E4h: TXCTRL1

工厂默认值	00h
读操作	PW2或(PW1和RWTBL246)或(PW1和RBL246)
写操作	PW2或(PW1和RWTBL246)
存储器类型	非易失(SEE)

E4h	27	26	25	24	23	22	21	20
	BIT 7							BIT 0

3线从机寄存器。V_{CC}超过POA (POR事件之后)后, Maxim激光驱动器的TX_POR位设置为逻辑高(在3线 TXSTAT1, 位7中可看到); 或者在TXD的上升沿, 通过3线接口将该值写入至Maxim激光驱动器。

DS1886

带有数字LDD接口的 SFP和PON ONU控制器

A2h表02h, 寄存器E5h: TXCTRL2

工厂默认值	00h
读操作	PW2或(PW1和RWTBL246)或(PW1和RBL246)
写操作	PW2或(PW1和RWTBL246)
存储器类型	非易失(SEE)

	27	26	25	24	23	22	21	20
E5h								
	BIT 7							BIT 0

3线从机寄存器。V_{CC}超过POA (POR事件之后)后, Maxim激光驱动器的TX_POR位设置为逻辑高(在3线TXSTAT1, 位7中可看到); 或者在TXD的上升沿, 通过3线接口将该值写入至Maxim激光驱动器。

A2h表02h, 寄存器E6h: TXCTRL3

工厂默认值	00h
读操作	PW2或(PW1和RWTBL246)或(PW1和RBL246)
写操作	PW2或(PW1和RWTBL246)
存储器类型	非易失(SEE)

	27	26	25	24	23	POW_LEV_INIT	20	
E6h								
	BIT 7							BIT 0

3线从机寄存器。V_{CC}超过POA (POR事件之后)后, Maxim激光驱动器的TX_POR位设置为逻辑高(在3线 TXSTAT1, 位7中可看到); 或者在TXD的上升沿, 通过3线接口将该值写入至Maxim激光驱动器。对于位2:1, 参见A2h低地址字节存储器, 寄存器6Fh及表11a和表11b中的POW_LEV[1:0]位。

A2h表02h, 寄存器E7h: TXCTRL4

工厂默认值	00h
读操作	PW2或(PW1和RWTBL246)或(PW1和RBL246)
写操作	PW2或(PW1和RWTBL246)
存储器类型	非易失(SEE)

	27	26	25	24	23	22	21	20
E7h								
	BIT 7							BIT 0

3线从机寄存器。V_{CC}超过POA (POR事件之后)后, Maxim激光驱动器的TX_POR位设置为逻辑高(在3线 TXSTAT1, 位7中可看到); 或者在TXD的上升沿, 通过3线接口将该值写入至Maxim激光驱动器。

DS1886

带有数字LDD接口的 SFP和PON ONU控制器

A2h表02h, 寄存器E8h: TXCTRL5 APC OL

工厂默认值	00h
读操作	PW2或(PW1和RWTBL246)或(PW1和RBL246)
写操作	PW2或(PW1和RWTBL246)
存储器类型	非易失(SEE)

E8h	27	26	25	24	23	22	21	20
	BIT 7							BIT 0

3线从机寄存器。V_{CC}超过POA (POR事件之后)后, Maxim激光驱动器的TX_POR位设置为逻辑高(在3线 TXSTAT1, 位7中可看到); 或者在TXD的上升沿, 通过3线接口将该值写入至Maxim激光驱动器。该寄存器仅在开环和APC环路模式期间有效。关于双闭环模式期间的TXCTRL5操作, 请参见寄存器CBh。

A2h表02h, 寄存器E9h: TXCTRL6

工厂默认值	00h
读操作	PW2或(PW1和RWTBL246)或(PW1和RBL246)
写操作	PW2或(PW1和RWTBL246)
存储器类型	非易失(SEE)

E9h	27	26	25	24	23	22	21	20
	BIT 7							BIT 0

3线从机寄存器。V_{CC}超过POA (POR事件之后)后, Maxim激光驱动器的TX_POR位设置为逻辑高(在3线TXSTAT1, 位7中可看到); 或者在TXD的上升沿, 通过3线接口将该值写入至Maxim激光驱动器。

A2h表02h, 寄存器EAh: TXCTRL7

工厂默认值	00h
读操作	PW2或(PW1和RWTBL246)或(PW1和RBL246)
写操作	PW2或(PW1和RWTBL246)
存储器类型	非易失(SEE)

EAh	27	26	25	24	23	22	21	20
	BIT 7							BIT 0

3线从机寄存器。V_{CC}超过POA (POR事件之后)后, Maxim激光驱动器的TX_POR位设置为逻辑高(在3线 TXSTAT1, 位7中可看到); 或者在TXD的上升沿, 通过3线接口将该值写入至Maxim激光驱动器。

DS1886

带有数字LDD接口的 SFP和PON ONU控制器

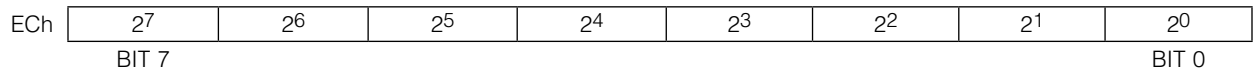
A2h表02h, 寄存器EBh: 保留

工厂默认值	00h
读操作	N/A
写操作	N/A
存储器类型	非易失(SEE)

该寄存器保留。

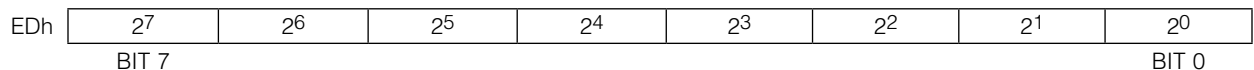
A2h表02h, 寄存器ECh: SETLOSH_3945

工厂默认值	00h
读操作	PW2或(PW1和RWTBL246)或(PW1和RBL246)
写操作	PW2或(PW1和RWTBL246)
存储器类型	非易失(SEE)



A2h表02h, 寄存器EDh: SETLOSL_3945

工厂默认值	00h
读操作	PW2或(PW1和RWTBL246)或(PW1和RBL246)
写操作	PW2或(PW1和RWTBL246)
存储器类型	非易失(SEE)



3线从机寄存器。如果SETLOSCTL为0, 则只写; 如果SETLOSCTL为1, 则使用SETLOSH寄存器。 V_{CC} 超过POA (POR事件之后)后, Maxim激光驱动器的TX_POR位设置为逻辑高(在3线 TXSTAT1, 位7中可看到); 或者在TXD的上升沿, 通过3线接口将该值写入至Maxim激光驱动器。

DS1886

带有数字LDD接口的 SFP和PON ONU控制器

A2h表02h, 寄存器EEh: SETLOSTIMER_3945

工厂默认值	00h
读操作	PW2或(PW1和RWTBL246)或(PW1和RBL246)
写操作	PW2或(PW1和RWTBL246)
存储器类型	Nonvolatile (SEE)

EEh	27	26	25	24	23	22	21	20
	BIT 7							BIT 0

3线从机寄存器。V_{CC}超过POA (POR事件之后)后, Maxim激光驱动器的TX_POR位设置为逻辑高(在3线 TXSTAT1, 位7中可看到); 或者在TXD的上升沿, 通过3线接口将该值写入至Maxim激光驱动器。

A2h表02h, 寄存器EFh: 3WSET

工厂默认值	00h
读操作	PW2或(PW1和RWTBL246)或(PW1和RBL246)
写操作	PW2或(PW1和RWTBL246)
存储器类型	非易失(SEE)

EFh	TEMP_UPD	EN_3945	RSTRT_3710	RESERVED	RESERVED	RESERVED	RESERVED	RESERVED
	BIT 7							BIT 0

BIT 7	TEMP_UPD: 0 = 默认3线工作。 1 = 每次温度转换时, 写全部控制寄存器(从寄存器0Eh-E8h和寄存器EAh)。
BIT 6	EN_3945: 0 = 将与MAX3945相关的字节送至3线总线。 1 = 上电时(V _{CC} 越过VCC LO报警后)将与MAX3945相关的字节发送至3线总线。
BIT 5	RSTRT_3710: 0 = TXINLOS (TXSTAT1寄存器)不影响系统重启。 1 = TXINLOS (TXSTAT1寄存器)置位时, 每隔t _{RR} 时间定期将E9h (TXCTRL6)写至MAX3710。
BITS 4:0	保留

DS1886

带有数字LDD接口的 SFP和PON ONU控制器

A2h表02h, 寄存器F0h: 3WCTRL

工厂默认值	00h
读操作	PW2或(PW1和RWTBL246)或(PW1和RBL246)
写操作	PW2或(PW1和RWTBL246)
存储器类型	易失

F0h	RESERVED	RESERVED	RESERVED	RESERVED	RESERVED	3WMAN_3945	3WRW	3WDIS
	BIT 7						BIT 0	

BITS 7:3	保留
BIT 2	3WMAN_3945: 3WRW置位时, 如果该位置位, 使用CSELOUT2仅写MAX3945。
BIT 1	3WRW: 启动3线写或读操作。写命令使用3线ADDRESS寄存器(A2h表02h, 寄存器F1h)中的存储器地址和3线WRITE寄存器(A2h表02h, 寄存器F2h)中的数据。读命令使用3线ADDRESS寄存器(A2h表02h, 寄存器F1h)中的存储器地址。地址决定执行的是读操作还是写操作。完成操作后, 该位自动清除。 0 = (默认)完成写或读操作时, 为0。 1 = 启动3线写或读操作。
BIT 0	3WDIS: 禁止3线接口上的全部自动通信, 包括来自于LUT、APC环路和状态寄存器的全部更新。只能通过手动工作模式进行3线通信。 0 = (默认)使能自动通信。 1 = 禁止自动通信。

A2h表02h, 寄存器F1h: 地址

工厂默认值	00h
读操作	PW2或(PW1和RWTBL246)或(PW1和RBL246)
写操作	PW2或(PW1和RWTBL246)
存储器类型	非易失(EE)

F1h	27	26	25	24	23	22	21	20
	BIT 7							BIT 0

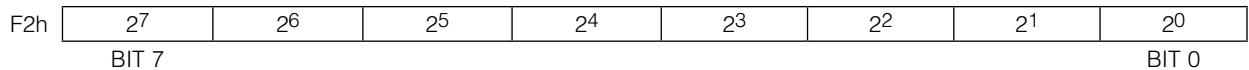
手动3线通信期间使用该字节。发起手动读或写操作时, 该寄存器包含操作地址。

DS1886

带有数字LDD接口的 SFP和PON ONU控制器

A2h表02h, 寄存器F2h: WRITE

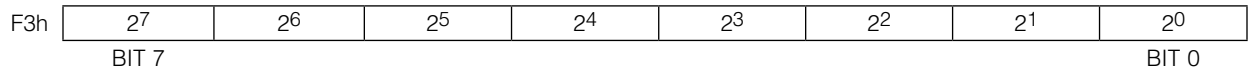
工厂默认值	00h
读操作	PW2或(PW1和RWTBL246)或(PW1和RBL246)
写操作	PW2或(PW1和RWTBL246)
存储器类型	非易失(EE)



手动3线通信期间使用该字节。发起手动写操作时，该寄存器包含操作地址。

A2h表02h, 寄存器F3h: READ

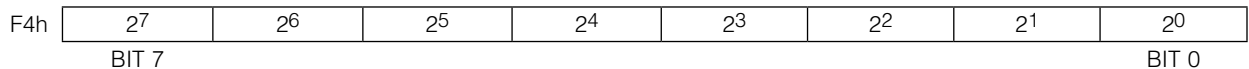
工厂默认值	00h
读操作	PW2 or (PW1 and RWTBL246) or (PW1 and RBL246)
写操作	N/A
存储器类型	易失



手动3线通信期间使用该字节。发起手动读操作时，返回数据储存在该寄存器中。

A2h表02h, 寄存器F4h: TXSTAT2

工厂默认值	00h
读操作	PW2或(PW1和RWTBL246)或(PW1和RBL246)
写操作	N/A
存储器类型	非易失(EE)



3线从机寄存器。每隔 t_{RR} 时间利用3线接口从Maxim激光驱动器读取该值(参见*Analog Voltage Monitoring Characteristics*表)。

DS1886

带有数字LDD接口的 SFP和PON ONU控制器

A2h表02h, 寄存器F5h: TXSTAT1

工厂默认值	00h
读操作	PW2或(PW1和RWTBL246)或(PW1和RBL246)
写操作	N/A
存储器类型	非易失(EE)

F5h	27	26	25	24	23	22	21	20
	BIT 7							BIT 0

3线从机寄存器。每隔 t_{RR} 时间利用3线接口从Maxim激光驱动器读取该值(参见*Analog Voltage Monitoring Characteristics*表)。

A2h表02h, 寄存器F6h: DPCSTAT

工厂默认值	00h
读操作	PW2或(PW1和RWTBL246)或(PW1和RBL246)
写操作	N/A
存储器类型	非易失(EE)

F6h	27	26	25	24	23	22	21	20
	BIT 7							BIT 0

3线从机寄存器。每隔 t_{RR} 时间利用3线接口从Maxim激光驱动器读取该值(参见*Analog Voltage Monitoring Characteristics*表)。

A2h表02h, 寄存器F7h: RXSTAT

工厂默认值	00h
读操作	PW2或(PW1和RWTBL246)或(PW1和RBL246)
写操作	N/A
存储器类型	非易失(EE)

F7h	27	26	25	24	23	22	21	20
	BIT 7							BIT 0

3线从机寄存器。每隔 t_{RR} 时间利用3线接口从Maxim激光驱动器读取该值(参见*Analog Voltage Monitoring Characteristics*表)。

A2h表02h, 寄存器F8h–FFh: 保留

工厂默认值	00h
读操作	N/A
写操作	N/A
存储器类型	非易失(EE)

这些寄存器保留。

DS1886

带有数字LDD接口的 SFP和PON ONU控制器

A2h表04h寄存器说明

A2h表04h, 寄存器80h–A7h: MODULATION或TXCTRL5 LUT

工厂默认值	00h
读操作	PW2或(PW1和RWTBL246)或(PW1和RBL246)
写操作	PW2或(PW1和RWTBL246)
存储器类型	非易失(EE)

开环和APC环路(调制)								
80h–A7h	2 ⁶	2 ⁵	2 ⁴	2 ³	2 ²	2 ¹	2 ⁰	2 ⁻¹
双闭环(TXCTRL5)								
80h–9Fh	2 ⁷	2 ⁶	2 ⁵	2 ⁴	2 ³	2 ²	2 ¹	2 ⁰
	BIT 7						BIT 0	

用于调制DAC输出或MAX3710中TXCTRL5寄存器的数字值。MODULATION LUT为一组寄存器，分配用于保存MODULATION寄存器的温度数据。温度测量用作LUT索引(TINDEX, A2h表02h, 寄存器81h)，在-40°C至+102°C范围内，以2°C递增，从80h开始。从该EEPROM存储器表中调用的数值写入MODULATION VALUE寄存器(A2h表02h, 寄存器82h–83h)位置，并将此值一直保存到下次温度转换。该器件可以置为手动模式(MOD LUT EN位, A2h表02h, 寄存器80h)，MODULATION寄存器直接受控用于校准。如果不需要温度补偿功能，则将整个表设置在所要求的调制值。更多详细信息请参见BIAS、MODULATION、SET_2XAPC、TXCTRL5 LUT部分。写入至寄存器的MODULATION VALUE由下式确定：

$$\text{MODULATION VALUE} = \text{MODULATION LUT} + 4 \times \text{MOD OFFSET LUT}$$

A2h表04h, 寄存器A8h–EFh: EMPTY

工厂默认值	
读操作	N/A
写操作	N/A
存储器类型	

这些寄存器为空。

A2h表04h, 寄存器F0h–F7h: MOD MAX LUT

工厂默认值	00h
读操作	PW2或(PW1和RWTBL246)或(PW1和RBL246)
写操作	PW2或(PW1和RWTBL246)
存储器类型	非易失(EE)

F0h–F7h	2 ⁸	2 ⁷	2 ⁶	2 ⁵	2 ⁴	2 ³	2 ²	2 ¹
	BIT 7						BIT 0	

DS1886

带有数字LDD接口的 SFP和PON ONU控制器

A2h表04h, 寄存器F8h–FFh: MOD OFFSET或SET_IMOD LUT

工厂默认值	00h
读操作	PW2或(PW1和RWTBL246)或(PW1和RBL246)
写操作	PW2或(PW1和RWTBL246)
存储器类型	非易失(EE)

开环和APC环路								
F8h–FFh	2 ⁸	2 ⁷	2 ⁶	2 ⁵	2 ⁴	2 ³	2 ²	2 ¹
双闭环(SET_IMOD)								
F8h–FFh	2 ⁹	2 ⁸	2 ⁷	2 ⁶	2 ⁵	2 ⁴	2 ³	2 ²
	BIT 7						BIT 0	

A2h表06h寄存器说明

A2h表06h, 寄存器80h–A7h: BIAS或SET_IBIAS

工厂默认值	00h
读操作	PW2或(PW1和RWTBL246)或(PW1和RBL246)
写操作	PW2或(PW1和RWTBL246)
存储器类型	非易失(EE)

开环								
80h–A7h	2 ⁷	2 ⁶	2 ⁵	2 ⁴	2 ³	2 ²	2 ¹	2 ⁰
APC环路和双闭环								
80h–A7h	2 ⁷	2 ⁶	2 ⁵	2 ⁴	2 ³	2 ²	2 ¹	2 ⁰
	BIT 7						BIT 0	

BIAS LUT为一组寄存器，分配用于保存BIAS基准DAC的温度数据。温度测量用作LUT索引(TINDEX, A2h表02h, 寄存器81h)，以2°C递增。从该EEPROM存储器表中调用的数值写入BIAS或SET_IBIAS位置，并将此值一直保存到下次温度转换。该器件可以置为手动模式，BIAS或SET_IBIAS可直接受控用于校准。如果应用中不需要TE温度补偿，将整个LUT设置为所要求的BIAS值。

DS1886

带有数字LDD接口的 SFP和PON ONU控制器

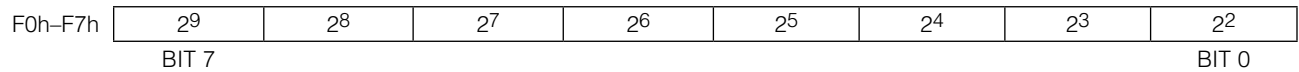
A2h表06h, 寄存器A8h–EFh: EMPTY

工厂默认值	
读操作	N/A
写操作	N/A
存储器类型	

These registers are empty.

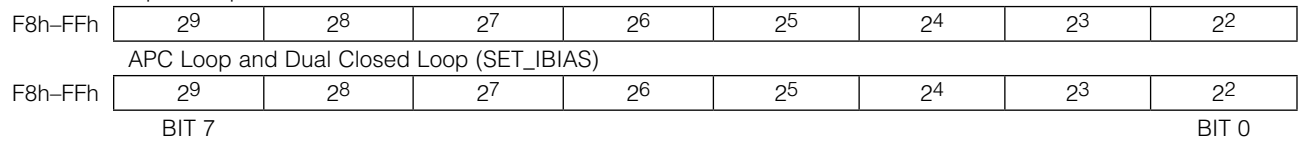
A2h表06h, 寄存器F0h–F7h: BIAS MAX LUT

工厂默认值	00h
读操作	PW2或(PW1和RWTBL246)或(PW1和RBL246)
写操作	PW2或(PW1和RWTBL246)
存储器类型	非易失(EE)



A2h表06h, 寄存器F8h–FFh: BIAS OFFSET或APC LUT

工厂默认值	00h
读操作	PW2或(PW1和RWTBL246)或(PW1和RBL246)
写操作	PW2或(PW1和RWTBL246)
存储器类型	非易失(EE)
Open Loop	



DS1886

带有数字LDD接口的 SFP和PON ONU控制器

A2h表08h寄存器说明

A2h表08h, 寄存器80h–F7h: EMPTY

工厂默认值	
读操作	N/A
写操作	N/A
存储器类型	

这些寄存器为空。

A2h表08h, 寄存器F8h–FFh: INCBYTE

工厂默认值	00h
读操作	PW2或(PW1和RWTBL78)或(PW1和RTBL78)
写操作	PW2或(PW1和RWTBL78)
存储器类型	非易失(EE)

F8h–FFh	27	26	25	24	23	22	21	20
	BIT 7							BIT 0

7:4位更新INCBYTE寄存器(表02h, 寄存器CAh)的高半字节。3:0位更新INCBYTE寄存器的低半字节。更多详细信息请参见INCBYTE寄存器说明。

A2h表09h寄存器说明

A2h表09h, 寄存器80h–F7h: EMPTY

工厂默认值	
读操作	N/A
写操作	N/A
存储器类型	

这些寄存器为空。

A2h表09h, 寄存器F8h–FFh: DAC OFFSET LUT

工厂默认值	00h
读操作	PW2或(PW1和RWTBL78)或(PW1和RTBL78)
写操作	PW2或(PW1和RWTBL78)
存储器类型	非易失(EE)

F8h–FFh	29	28	27	26	25	24	23	22
	BIT 7							BIT 0

DS1886

带有数字LDD接口的 SFP和PON ONU控制器

辅助存储器A0h寄存器说明

辅助存储器A0h，寄存器00h–FFh：EEPROM

工厂默认值	00h
读操作	PW2或(PW1和RWAUXA)或(PW1 and RWAUXAU)
写操作	PW2或(PW1和RWAUXA)
存储器类型	非易失(EE)

00h–FFh	27	26	25	24	23	22	21	20
	BIT 7							BIT 0

通过从地址A0h访问。

应用信息

电源去耦

为达到最佳性能，推荐采用0.01μF或0.1μF电容对电源进行去耦。采用高质量、陶瓷表贴电容，并尽可能将电容靠近VCC和GND引脚放置，以最大程度地降低引线电感。

布局考虑

将全部GND连接至公共接地区域。将全部VCC引脚连接在一起。

SDA和SCL上拉电阻

该器件的SDA为集电极开路输出，需要上拉电阻提供逻辑高电平输出。SCL可以采用带上拉电阻的集电极开路输出的主机或具有推挽输出的驱动器。应合理选择上拉电阻，以保证满足[I²C AC Electrical Characteristics](#)表中列出的上升和下降时间规格。

订购信息

PART	TEMP RANGE	PIN-PACKAGE
DS1886T+	-40°C to +95°C	24 TQFN-EP*
DS1886T+T	-40°C to +95°C	24 TQFN-EP*

+表示无铅(Pb)/符合RoHS标准的封装。

T = 卷带包装。

*EP = 裸焊盘。

封装信息

如需最近的封装外形信息和焊盘布局(占位面积)，请查询china.maximintegrated.com/packages。请注意，封装编码中的“+”、“#”或“-”仅表示RoHS状态。封装图中可能包含不同的尾缀字符，但封装图只与封装有关，与RoHS状态无关。

封装类型	封装编码	文档编号	焊盘布局编号
24 TQFN-EP	T2445+1	21-0201	90-0083

DS1886

带有数字LDD接口的 SFP和PON ONU控制器

修订历史

修订号	修订日期	说明	修改页
0	3/12	最初版本。	—
1	8/12	修改了TXINLOS的多处LUT地址。	30, 32, 33, 39, 83, 87, 88, 89

Maxim北京办事处

北京8328信箱 邮政编码100083

免费电话: 800 810 0310

电话: 010-6211 5199

传真: 010-6211 5299



Maxim不对Maxim产品以外的任何电路使用负责，也不提供其专利许可。Maxim保留在任何时间、没有任何通报的前提下修改产品资料和规格的权利。电气特性表中列出的参数值(最小值和最大值)均经过设计验证，数据资料其它章节引用的参数值供设计人员参考。

Maxim Integrated 160 Rio Robles, San Jose, CA 95134 USA 1-408-601-10 00

92

© 2012 Maxim Integrated

Maxim标志和Maxim Integrated是Maxim Integrated Products, Inc.的商标。