

XFP激光器控制和数字诊断IC

DS1862

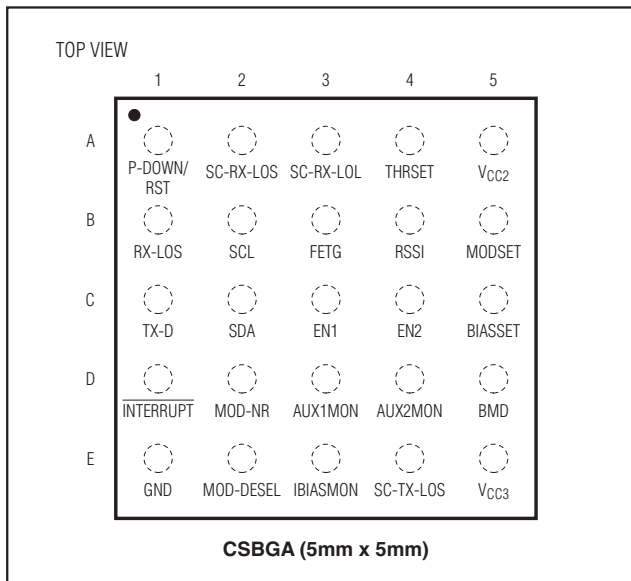
概述

DS1862是一款内置数字诊断功能的闭环激光驱动器控制IC，设计用于XFP MSA激光二极管。该激光控制器采用自动功率控制(APC)方式，并且能够根据温度查找表(LUT)控制消光比。DS1862可以同时监视多达7个模拟输入量，包括温度和监视二极管(MD)的电流，用于调节激光二极管的偏置电流和消光比。可编程告警和报警门限，当芯片检测到信号超过门限时，产生中断输出。该芯片还利用内部增益和失调寄存器，对每路被监视的模拟信号进行校准。数据设置，如已编程的校准数据等，保存在加密EEPROM中。芯片通过与I²C兼容的接口编程，该接口同时还用于访问诊断功能。

应用

10Gbps光收发模块(XFP)
激光器控制和监视
光传输中的数字诊断

引脚配置



特性

- ◆ 满足XFP MSA规范，集成数字诊断、序列号ID和用户存储器
- ◆ 与I²C兼容的串行接口
- ◆ 自动功率控制(APC)
- ◆ 基于查找表的消光比控制
- ◆ 7个被监视通道用于数字诊断(5个基本通道 + 2个辅助通道)
- ◆ 内部校准被监视通道(温度、V_{CC2/3}、偏置电流、发射和接收功率)
- ◆ 可编程快速触发逻辑，用于快速关闭激光器输出，提供视觉保护
- ◆ 可访问监视和ID信息
- ◆ 可编程报警和告警门限
- ◆ 工作在3.3V或5V电源
- ◆ 5mm x 5mm、25焊球CSBGA封装
- ◆ 内部或外部温度传感器
- ◆ 工作温度范围-40°C至+100°C
- ◆ 一路8位带缓冲的DAC输出

订购信息

PART	TEMP RANGE	PIN-PACKAGE
DS1862B	-40°C to +100°C	25 CSBGA
DS1862B+	-40°C to +100°C	25 CSBGA

+表示无铅/符合RoHS标准的封装。

典型工作电路在数据资料的最后给出。

XFP 激光器控制和数字诊断 IC

DS1862

ABSOLUTE MAXIMUM RATINGS

Voltage Range on Any Open-Drain Pin
 Relative to Ground.....-0.5V to +6.0V
 Voltage Range on MOD-DESEL, SDA, SCL,
 FETG, THRSET, TX-D, AUX1MON, AUX2MON,
 IBIASMON, RSSI, BIASSET, MODSET,
 EN1, EN2.....-0.5V to (VCC3 + 0.5V)*

Voltage Range on SC-RX-LOS,
 SC-RX-LOL, RX-LOS, SC-TX-LOS,
 MOD-NR, EN1, EN2-0.5V to (VCC2 + 0.5V)*
 Operating Temperature Range-40°C to +100°C
 EEPROM Programming Temperature Range0°C to +70°C
 Storage Temperature Range-55°C to +125°C
 Soldering Temperature.....Refer to the IPC JEDEC
 J-STD-020 Specification.

*Not to exceed +6.0V.

Stresses beyond those listed under "Absolute Maximum Ratings" may cause permanent damage to the device. These are stress ratings only, and functional operation of the device at these or any other conditions beyond those indicated in the operational sections of the specifications is not implied. Exposure to absolute maximum rating conditions for extended periods may affect device reliability.

RECOMMENDED OPERATING CONDITIONS

(VCC3 = +2.9V to +5.5V, TA = -40°C to +100°C, unless otherwise noted.)

PARAMETER	SYMBOL	CONDITIONS	MIN	TYP	MAX	UNITS
Main Supply Voltage	VCC3	(Note 1)	+2.9		+5.5	V
Secondary Supply Voltage	VCC2	VCC2 not to exceed VCC3 (Note 2)	+1.6		+3.6	V
High-Level Input Voltage (SDA, SCL)	VIH	I _{IH} (max) = 10μA	0.7 x VCC3		VCC3 + 0.5	V
Low-Level Input Voltage (SDA, SCL)	VIL	I _{IL} (max) = -10μA	GND - 0.3		0.3 x VCC3	V
High-Level Input Voltage (TX-D, MOD-DESEL, P-DOWN/RST) (Note 3)	VIH	I _{IH} (max) = 10μA	2		VCC3 + 0.3	V
Low-Level Input Voltage (TX-D, MOD-DESEL, P-DOWN/RST) (Note 3)	VIL	I _{IL} (max) = -10μA	-0.3		+0.8	V

XFP激光器控制和数字诊断IC

DS1862

DC ELECTRICAL CHARACTERISTICS

(VCC3 = +2.9V to +5.5V, VCC2 = +1.6V to +3.6V, TA = -40°C to +100°C, unless otherwise noted.)

PARAMETER	SYMBOL	CONDITIONS	MIN	TYP	MAX	UNITS
Supply Current	ICC3	P-DOWN/RST = 1		3	5	mA
High-Level Output Voltage (FETG)	VOH	IOH (max) = -2mA	VCC3 - 0.5			V
Low-Level Output Voltage (MOD-NR, INTERRUPT, SDA, FETG)	VOL	IOL (max) = 3mA	0		0.4	V
Resistor (Pullup)	RPU		9	12	15	kΩ
I/O Capacitance	CI/O	(Note 4)			10	pF
Leakage Current	IL		-10		+10	μA
Leakage Current (SCL, SDA)	IL		-10		+10	μA
Digital Power-On Reset	POD		1.0		2.2	V
Analog Power-On Reset	POA		2.0		2.6	V

DC ELECTRICAL CHARACTERISTICS—INTERFACE SIGNALS TO SIGNAL CONDITIONERS

(VCC2 = +1.6V to +3.6V, VCC3 = +2.9V to +5.5V, TA = -40°C to +100°C, unless otherwise noted.)

PARAMETER	SYMBOL	CONDITIONS	MIN	TYP	MAX	UNITS
High-Level Input Voltage (SC-RX-LOS, SC-RX-LOL, SC-TX-LOS)	VIH	IIH (max) = 100μA	0.7 x VCC2		VCC2 + 0.1	V
Low-Level Input Voltage (SC-RX-LOS, SC-RX-LOL, SC-TX-LOS)	VIL	IIL (max) = -100μA	0		0.3 x VCC2	V
High-Level Output Voltage (EN1, EN2)	VOH	IOH (max) = -0.7mA	VCC2 - 0.2			V
	VOH2	VCC2 = 2.5V to 3.6V, IOH (max) = -2mA	VCC2 - 0.4			
	VOH3	VCC2 = 1.6V, IOH (max) = -0.7mA	VCC2 - 0.2			
Low-Level Output Voltage (EN1, EN2, RX-LOS)	VOL	IOL (max) = 0.7mA			0.20	V
	VOL2	VCC2 = 2.5V to 3.6V, IOL (max) = 2mA			0.40	
Leakage Current (SC-RX-LOS, SC-RX-LOL, SC-TX-LOS, RX-LOS)	IL		-10		+10	μA

XFP 激光器控制和数字诊断 IC

DS1862

I²C AC ELECTRICAL CHARACTERISTICS

(V_{CC3} = +2.9V to +5.5V, T_A = -40°C to +100°C, unless otherwise noted.)

PARAMETER	SYMBOL	CONDITIONS	MIN	TYP	MAX	UNITS
SCL Clock Frequency	f _{SCI}		0		400	kHz
Clock Pulse-Width Low	t _{LOW}		1.3			μs
Clock Pulse-Width High	t _{HIGH}		0.6			μs
Bus Free Time Between STOP and START Conditions	t _{BUF}		1.3			μs
START Hold Time	t _{HD:SDA}		0.6			μs
START Setup Time	t _{SU:SDA}		0.6			μs
Data In Hold Time	t _{HD:DAT}		0		0.9	μs
Data In Setup Time	t _{SU:DAT}		100			ns
Rise Time of Both SDA and SCL Signals	t _R	(Note 5)	20 + 0.1C _B		300	ns
Fall Time of Both SDA and SCL Signals	t _F	(Note 5)	20 + 0.1C _B		300	ns
STOP Setup Time	t _{SU:STO}		0.6			μs
MOD-DESEL Setup Time	t _{HOST_SELECT_SETUP}		2			ms
MOD-DESEL Hold Time	t _{HOST_SELECT_HOLD}		10			μs
Aborted Sequence Bus Release	t _{MOD-DESEL_ABORT}				2	ms
Capacitive Load for Each Bus	C _B	(Note 5)			400	pF
EEPROM Write Time	t _W	≤ 4-byte write (Note 6)			16	ms

ANALOG OUTPUT CHARACTERISTICS

(V_{CC3} = +2.9V to +5.5V, V_{CC2} = +1.6V to +3.6V, T_A = -40°C to +100°C, unless otherwise noted.)

PARAMETER	SYMBOL	CONDITIONS	MIN	TYP	MAX	UNITS
I _{BIASSET}	I _{BIASSET}		0.01		1.50	mA
I _{BIASSET} (Off-State Current)	I _{BIASSET}	Shutdown		±10	±100	nA
I _{MODSET}	I _{MODSET}		0.01		1.20	mA
I _{MODSET} (Off-State Current)	I _{MODSET}	Shutdown		±10	±100	nA
Voltage on I _{BIASSET} and I _{MODSET}	V _{MAX}	(Note 7)	0.7		3.0	V
V _{THRSET}	V _{THRSET}	I _{MAX} = 100μA	50		1000	mV
V _{THRSET} Drift		Across temperature (Note 8)	-5		+5	%
V _{THRSET} Capacitance Load	C _{THRSET}				1	nF
APC Calibration Accuracy		+25°C			25	μA
APC Temp Drift		0.200mA to 1.5mA	-5		+5	%
		50μA to 200μA			12	μA
I _{BMD} DNL		Sink, SRC_SINK_B = 0	-0.9		+0.9	LSB
		Source, SRC_SINK_B = 1	-0.9		+0.9	
I _{BMD} INL		Sink, SRC_SINK_B = 0	-4.0		+4.0	LSB
		Source, SRC_SINK_B = 1	-4.0		+4.0	
I _{BMD} Voltage Drift					1.2	%/V
I _{BMD} FS Accuracy					1.5	%

XFP激光器控制和数字诊断IC

DS1862

ANALOG OUTPUT CHARACTERISTICS (continued)

(V_{CC3} = +2.9V to +5.5V, V_{CC2} = +1.6V to +3.6V, T_A = -40°C to +100°C, unless otherwise noted.)

PARAMETER	SYMBOL	CONDITIONS	MIN	TYP	MAX	UNITS
I _{MODSET} Accuracy		+25°C, I _{MODSET} = 0.04mA to 1.2mA	-1.5		+1.5	%
I _{MODSET} DNL		75μA range	-0.9		+0.9	LSB
		150μA range	-0.9		+0.9	
		300μA range	-0.9		+0.9	
		600μA range	-0.9		+0.9	
		1200μA range	-0.9		+0.9	
I _{MODSET} INL		75μA range	-1.5		+1.5	LSB
		150μA range	-1.5		+1.5	
		300μA range	-1.0		+1.0	
		600μA range	-1.0		+1.0	
		1200μA range	-1.0		+1.0	
I _{MODSET} Temp Drift					5	%
I _{MODSET} Voltage Drift					1.2	%/V
I _{MODSET} FS Accuracy					1.5	%
APC Bandwidth		I _{MD} / I _{APC} = 1 (Note 4)	6	10	30	kHz

AC ELECTRICAL CHARACTERISTICS—XFP CONTROLLER

(V_{CC3} = +2.9V to +5.5V, V_{CC2} = +1.6V to +3.6V, T_A = -40°C to +100°C, unless otherwise noted.)

PARAMETER	SYMBOL	CONDITIONS	MIN	TYP	MAX	UNITS
Time to Initialize	t _{INIT}	V _{CC3} within ±5% of nominal	30		200	ms
TX-D Assert Time	t _{OFF}	I _{BIAS} and I _{MOD} below 10% of nominal			5	μs
TX-D Deassert Time	t _{ON}	I _{BIAS} and I _{MOD} above 90% of nominal			1	ms
P-DOWN/RST Assert Time	t _{PDR-ON}	I _{BIAS} and I _{MOD} below 10% of nominal			100	μs
P-DOWN/RST Deassert Time	t _{PDR-OFF}	I _{BIAS} and I _{MOD} above 90% of nominal			200	ms
MOD-DESEL Deassert Time	t _{MOD-DESEL}	Time until proper response to I ² C communication			2	ms
INTERRUPT Assert Delay	t _{INIT_ON}	Time from fault to interrupt assertion			100	ms
INTERRUPT Deassert Delay	t _{INIT_OFF}	Time from read (clear flags) to interrupt deassertion			500	μs
MOD-NR Assert Delay	t _{MOD-NR-ON}	Time from fault to MOD-NR assertion			0.5	ms
MOD-NR Deassert Delay	t _{MOD-NR-OFF}	Time from read (clear flags) to MOD-NR deassertion			0.5	ms
RX-LOS Assert Time	t _{LOS-ON}	Time from SC-RX-LOS assertion to RX-LOS assertion			100	ns
RX-LOS Deassert Time	t _{LOS-OFF}	Time from SC-RX-LOS deassertion to RX-LOS deassertion			100	ns
P-DOWN/RST Reset Time	t _{RESET}	Time from P-DOWN/RST assertion to initial reset	10			μs
Shutdown Time	t _{FAULT}	Time from fault to I _{BIASSET} , I _{MODSET} , and I _{BMD} below 10%			30	μs

XFP 激光器控制和数字诊断 IC

AC ELECTRICAL CHARACTERISTICS—SOFT* CONTROL AND STATUS

(V_{CC3} = +2.9V to +5.5V, V_{CC2} = +1.6V to +3.6V, T_A = -40°C to +100°C, unless otherwise noted.)

PARAMETER	SYMBOL	CONDITIONS	MIN	TYP	MAX	UNITS
SOFT TX-D Assert Time	t _{OFF_SOFT}	I _{BIAS} and I _{MOD} below 10% of nominal			50	ms
SOFT TX-D Deassert Time	t _{ON_SOFT}	I _{BIAS} and I _{MOD} above 90% of nominal			50	ms
SOFT P-DOWN/RST Assert Time	t _{PDR-ON_SOFT}	I _{BIAS} and I _{MOD} below 10% of nominal			50	ms
SOFT P-DOWN/RST Deassert Time	t _{PDR-OFF_SOFT}	I _{BIAS} and I _{MOD} above 90% of nominal			200	ms
Soft MOD-NR Assert Delay	t _{MOD-NR-ON_SOFT}	Time from fault to MOD-NR assertion			50	ms
Soft MOD-NR Deassert Delay	t _{MOD-NR-OFF_SOFT}	Time from read (clear flags) to MOD-NR deassertion			50	ms
Soft RX_LOS Assert Time	t _{LOS-ON_SOFT}	Time from SC-RX-LOS assertion to RX-LOS assertion			50	ms
Soft RX_LOS Deassert Time	t _{LOS-OFF_SOFT}	Time from SC-RX-LOS deassertion to RX-LOS deassertion			50	ms
Analog Parameter Data Ready (DATA-NR)					500	ms

*All SOFT timing specifications are measured from the falling edge of STOP signal during I²C communication.

ANALOG INPUT CHARACTERISTICS

(V_{CC3} = +2.9V to +5.5V, T_A = -40°C to +100°C, unless otherwise noted.)

PARAMETER	SYMBOL	CONDITIONS	MIN	TYP	MAX	UNITS
I _{BMD} Configurable Source or Sink (+/-)			0.05		1.50	mA
I _{BMD} Voltage (I _{BMD} - 0μA)	V _{BMD}	Source mode Sink mode		2.0 1.2		V
I _{BMD} Input Resistance	R _{BMD}	I _{BMD} range 0 to 1.5mA	400	550	700	Ω

A/D INPUT VOLTAGE MONITORING (IBIASMON, AUX2MON, AUX1MON, RSSI, BMD)

(V_{CC3} = +2.9V to +5.5V, T_A = -40°C to +100°C, unless otherwise noted.)

PARAMETER	SYMBOL	CONDITIONS	MIN	TYP	MAX	UNITS
Input Resolution	ΔV _{MON}			610		μV
Supply Resolution	ΔV _{CC2/3}			1.6		mV
Input/Supply Accuracy	ACC	At factory setting		0.25	0.5	%FS
Update Rate	t _{FRAME1}	AUX1MON and AUX2MON disabled		48	52	ms
	t _{FRAME2}	All channels enabled		64	75	
Input/Supply Offset	V _{OS}	(Note 4)		0	5	LSB
Full-Scale Input (IBIASMON and RSSI)		At factory setting	2.4875	2.5	2.5125	V
Full-Scale Input (AUX1MON, AUX2MON, V _{CC2} , V _{CC3})		At factory setting (Note 9)	6.5208	6.5536	6.5864	V
BMD (Monitor) (TX-P)		FS setting		1.5		mA

XFP激光器控制和数字诊断IC

DS1862

FAST ALARMS AND V_{CC} FAULT CHARACTERISTICS

(V_{CC3} = +2.9V to +5.5V, V_{CC2} = +1.6V to +3.6V, T_A = -40°C to +100°C, unless otherwise noted.)

PARAMETER	SYMBOL	CONDITIONS	MIN	TYP	MAX	UNITS
HIGH BIAS and TX-P Threshold FS		(Note 10)	2.48	2.5	2.52	mA
V _{CC2/3} Fault Asserted Falling Edge Delay		↓ V _{CC2/3} (Note 11)			75	ms
QT Temperature Coefficient			-3		+3	%
QT Voltage Coefficient					0.5	%/V
QT FS Trim Accuracy (4.2V, +25°C)			2.480	2.500	2.520	mA
QT Accuracy (Trip) (INL)			-2	0	+2	LSB
QT Voltco					0.5	%/V
QT Tempco				1.5	3	%

NONVOLATILE MEMORY CHARACTERISTICS

(V_{CC3} = +2.9V to +5.5V, unless otherwise noted.)

PARAMETER	SYMBOL	CONDITIONS	MIN	TYP	MAX	UNITS
Endurance (Write Cycle)		+70°C	50k			Cycles
Endurance (Write Cycle)		+25°C	200k			Cycles

- Note 1:** All voltages are referenced to ground. Current into the IC is positive, and current out of the IC is negative.
- Note 2:** Secondary power supply is used to support optional variable power-supply feature of the XFP module. If V_{CC2} is not used (i.e., signal conditioners using 3.3V supply), V_{CC2} should be connected to the V_{CC3}.
- Note 3:** Input signals (i.e., TX-D, MOD-DESEL, and P-DOWN/RST) have internal pullup resistors.
- Note 4:** Guaranteed by design. Simulated over process and 50μA < I_{BMD} < 1500μA.
- Note 5:** C_B—total capacitance of one bus line in picofarads.
- Note 6:** EEPROM write begins after a STOP condition occurs.
- Note 7:** This is the maximum and minimum voltage on the MODSET and BIASSET pins required to meet accuracy and drift specifications.
- Note 8:** For V_{THRSET}, offset may be as much as 10mV.
- Note 9:** This is the uncalibrated offset provided by the factory; offset adjustment is available on this channel.
- Note 10:** %FS refers to calibrated FS in case of internal calibration, and uncalibrated FS in the case of external calibration. Uncalibrated FS is set in the factory and specified in this data sheet as FS (factory). Calibrated FS is set by the user, allowing a change in any monitored channel scale.
- Note 11:** See the *Monitor Channels* section for more detail or V_{CC2} and V_{CC3} selection.

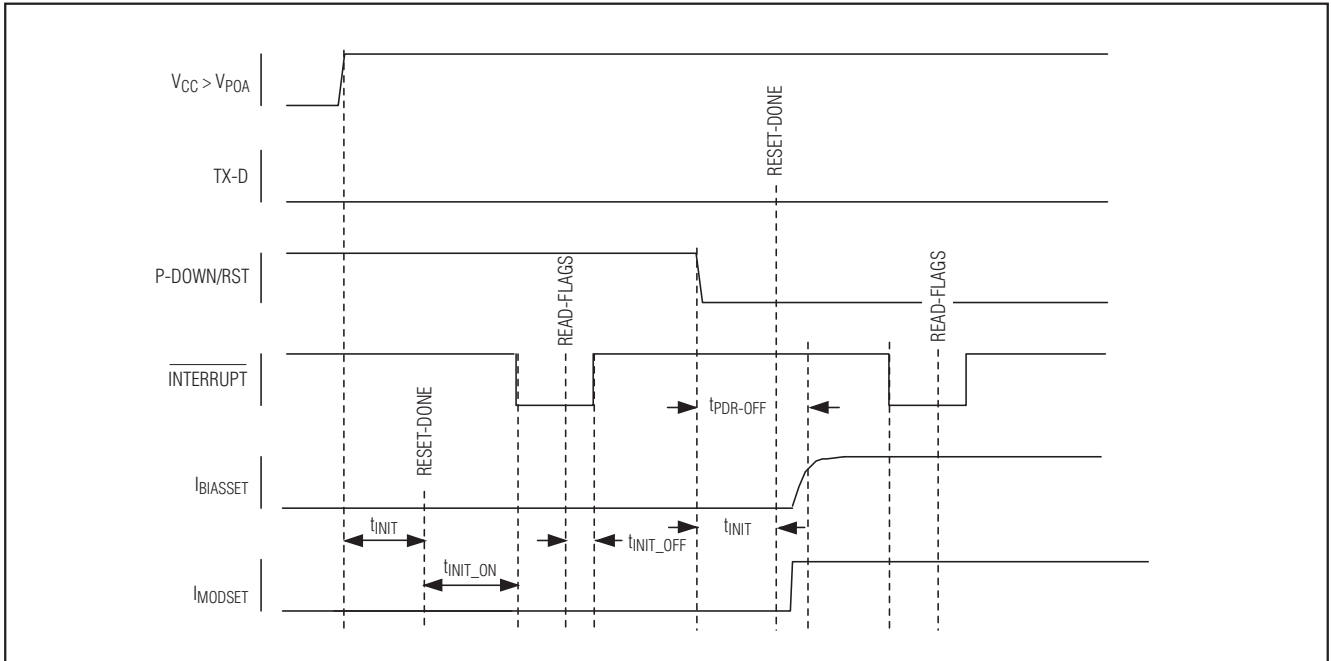


图1. 触发P-DOWN/RST、TX-D/SOFT TX-D没有触发时的上电初始化

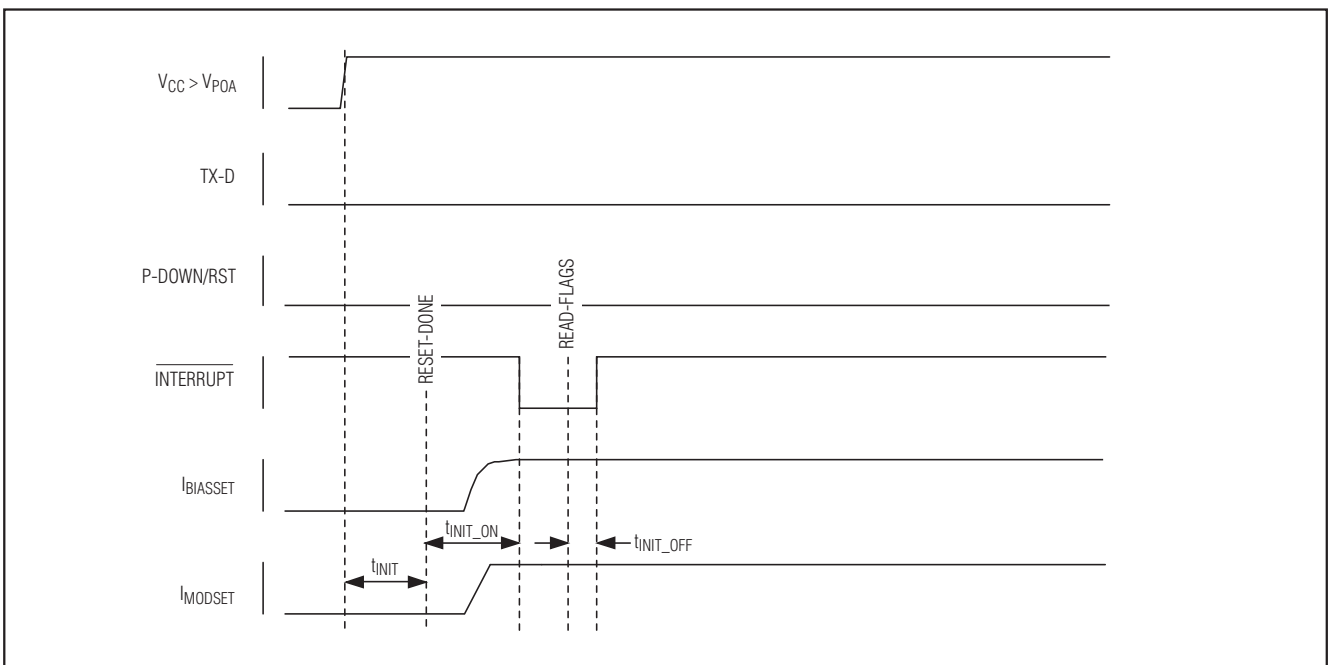


图2. P-DOWN/RST没有触发、TX-D/SOFT TX-D没有触发时的上电初始化(标准工作模式)

XFP激光器控制和数字诊断IC

时序图(续)

DS1862

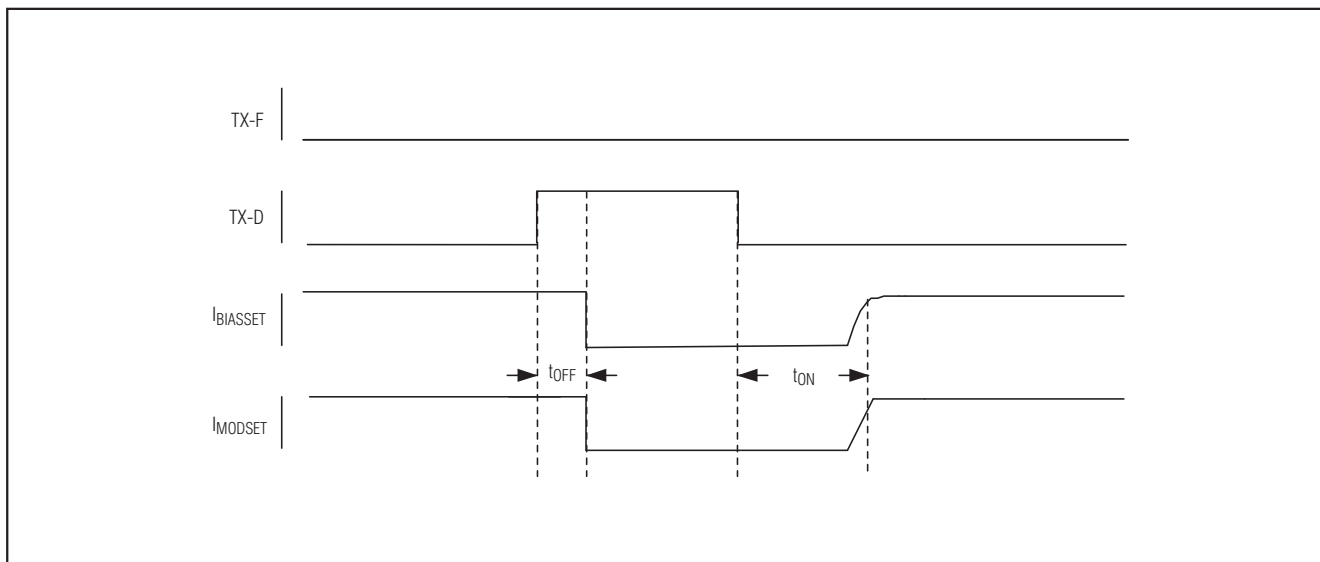


图3. 标准工作模式下的TX-D时序

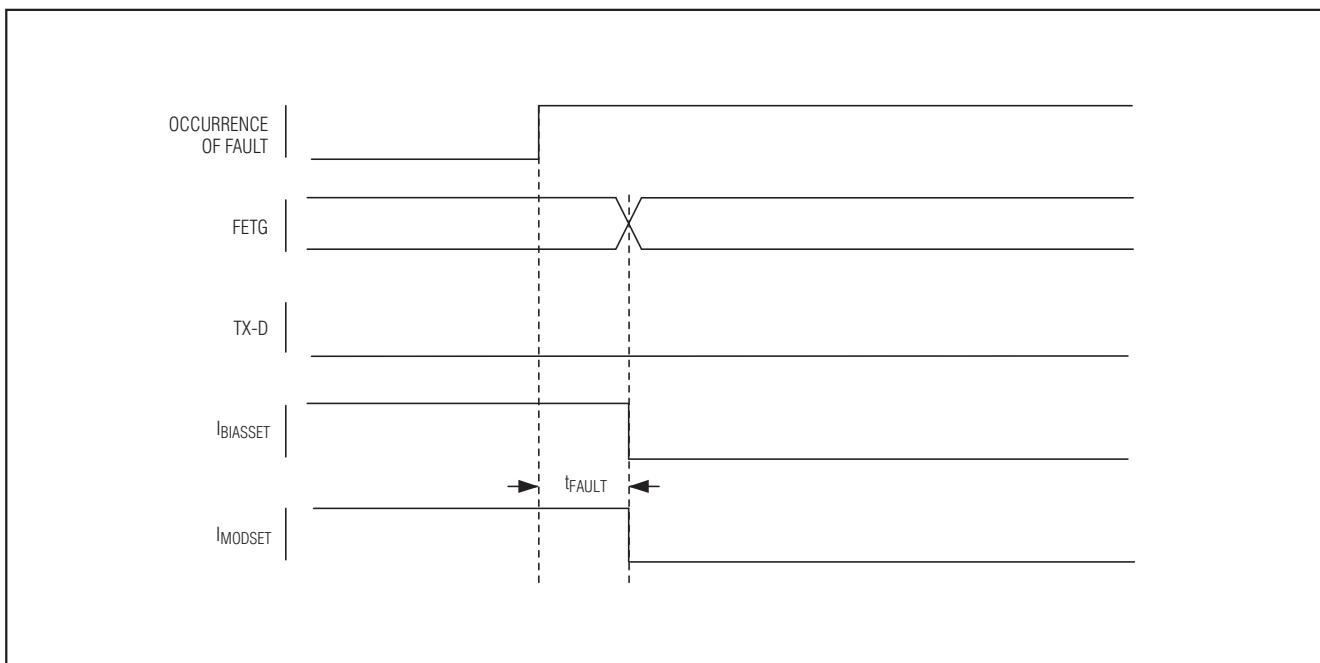


图4. 故障状态检测

XFP激光器控制和数字诊断IC

时序图(续)

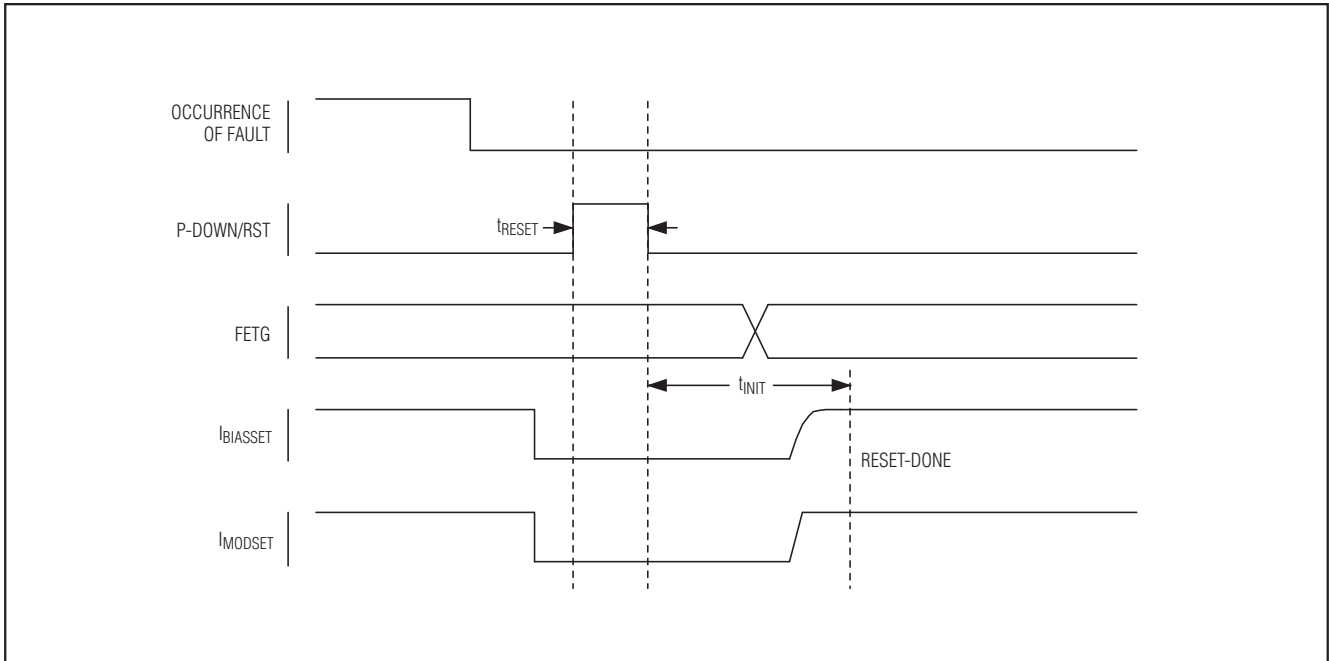


图5. 利用P-DOWN/RST从瞬时故障状态下恢复

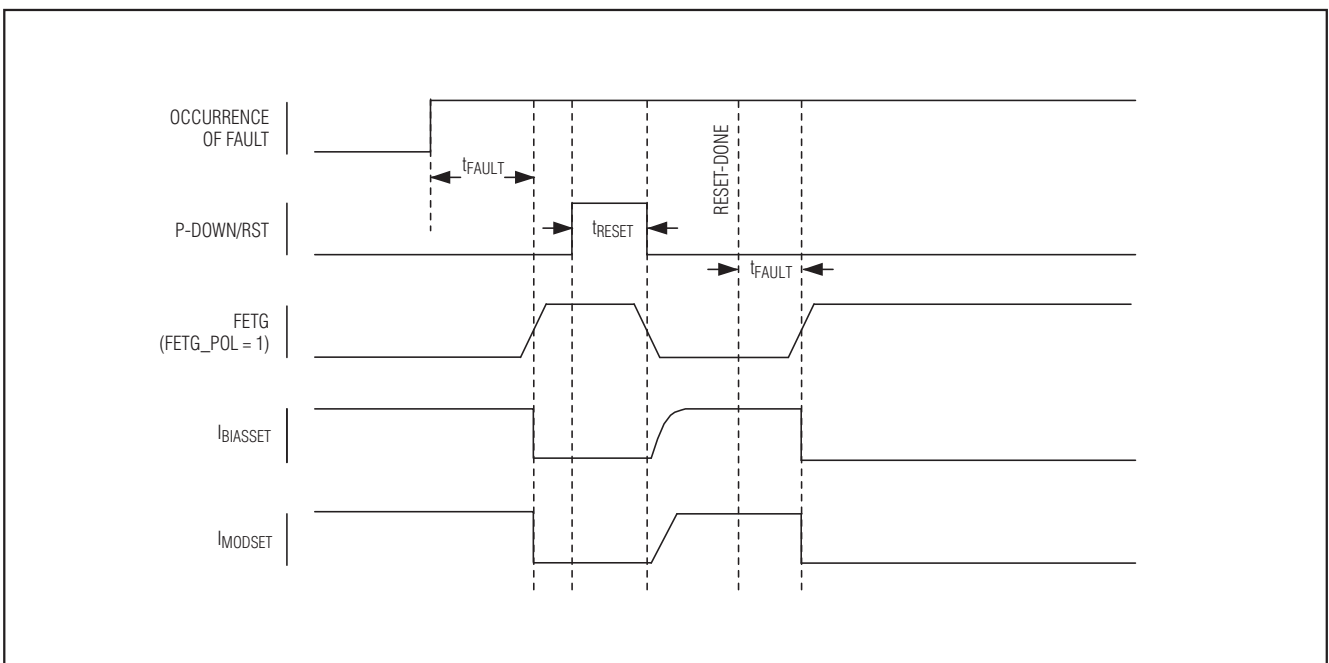


图6. 从瞬时故障状态下恢复失败

XFP激光器控制和数字诊断IC

时序图(续)

DS1862

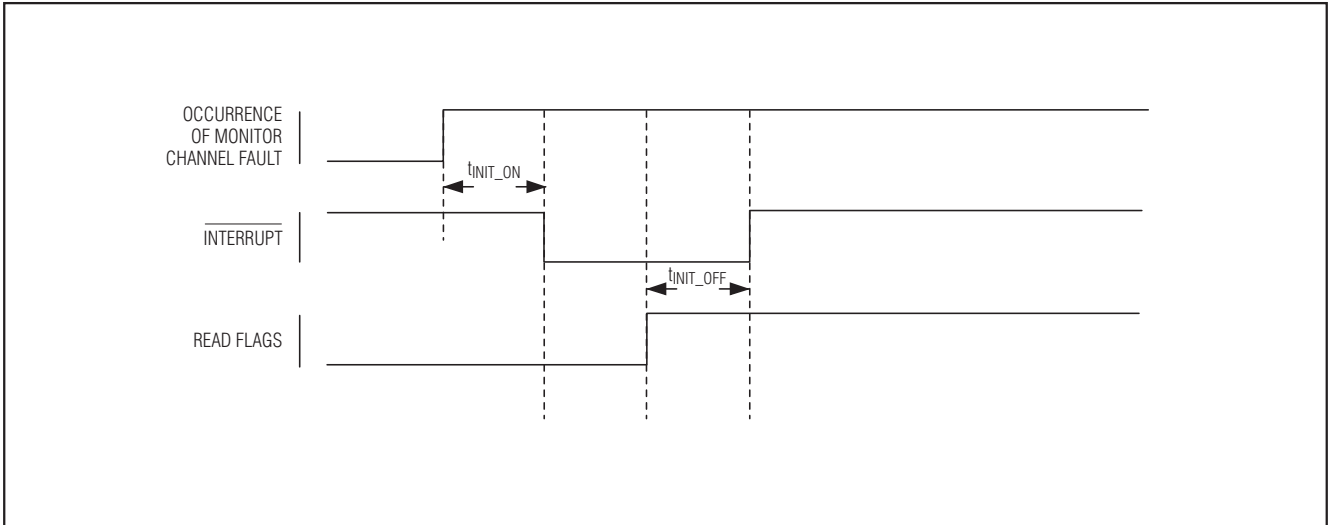
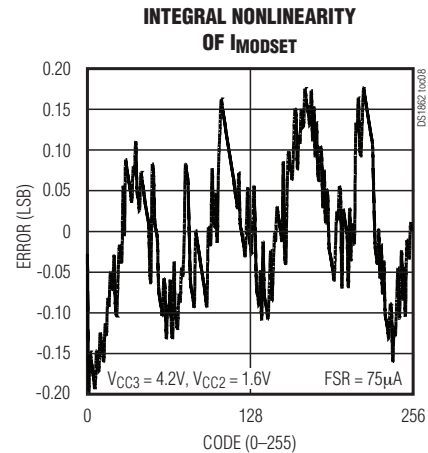
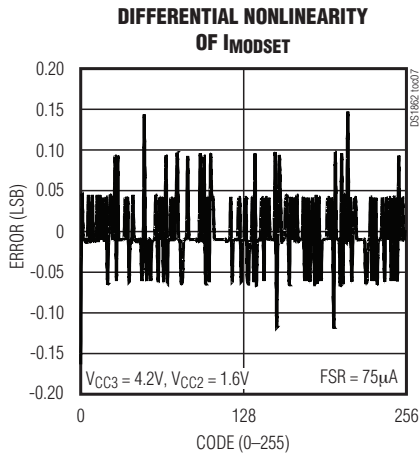
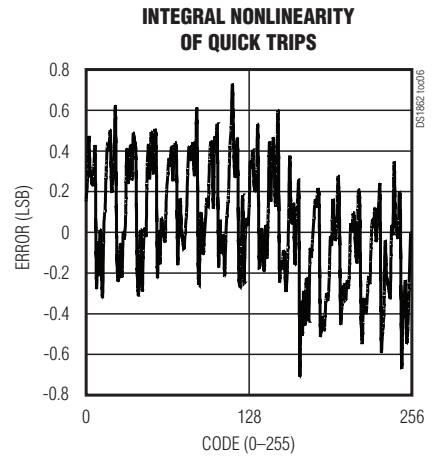
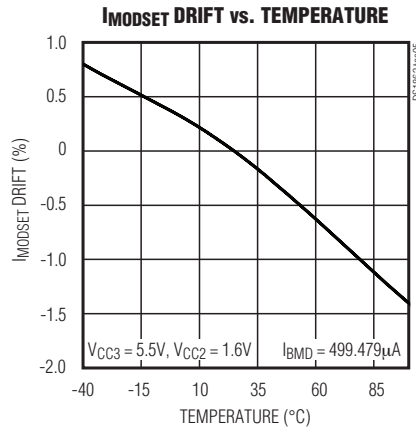
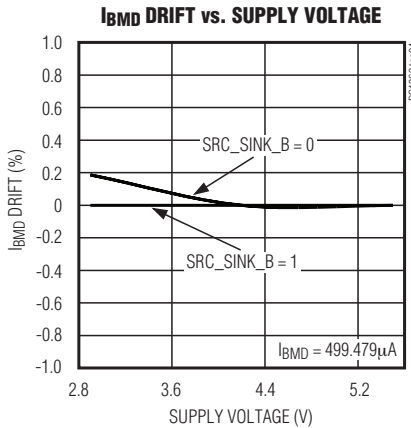
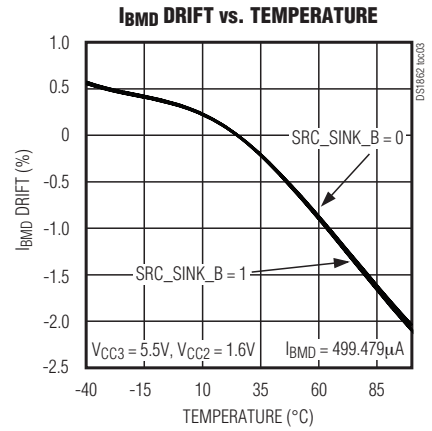
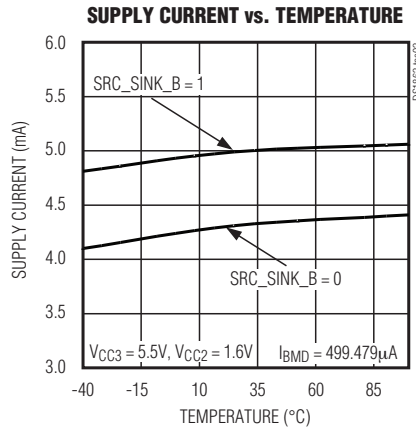
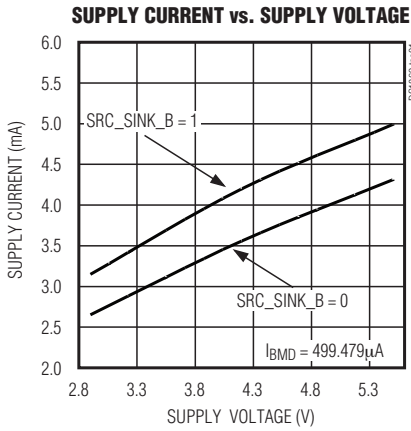


图7. 监视通道故障时序

XFP激光器控制和数字诊断IC

典型工作特性

($T_A = +25^\circ\text{C}$, unless otherwise noted.)



XFP激光器控制和数字诊断IC

引脚说明

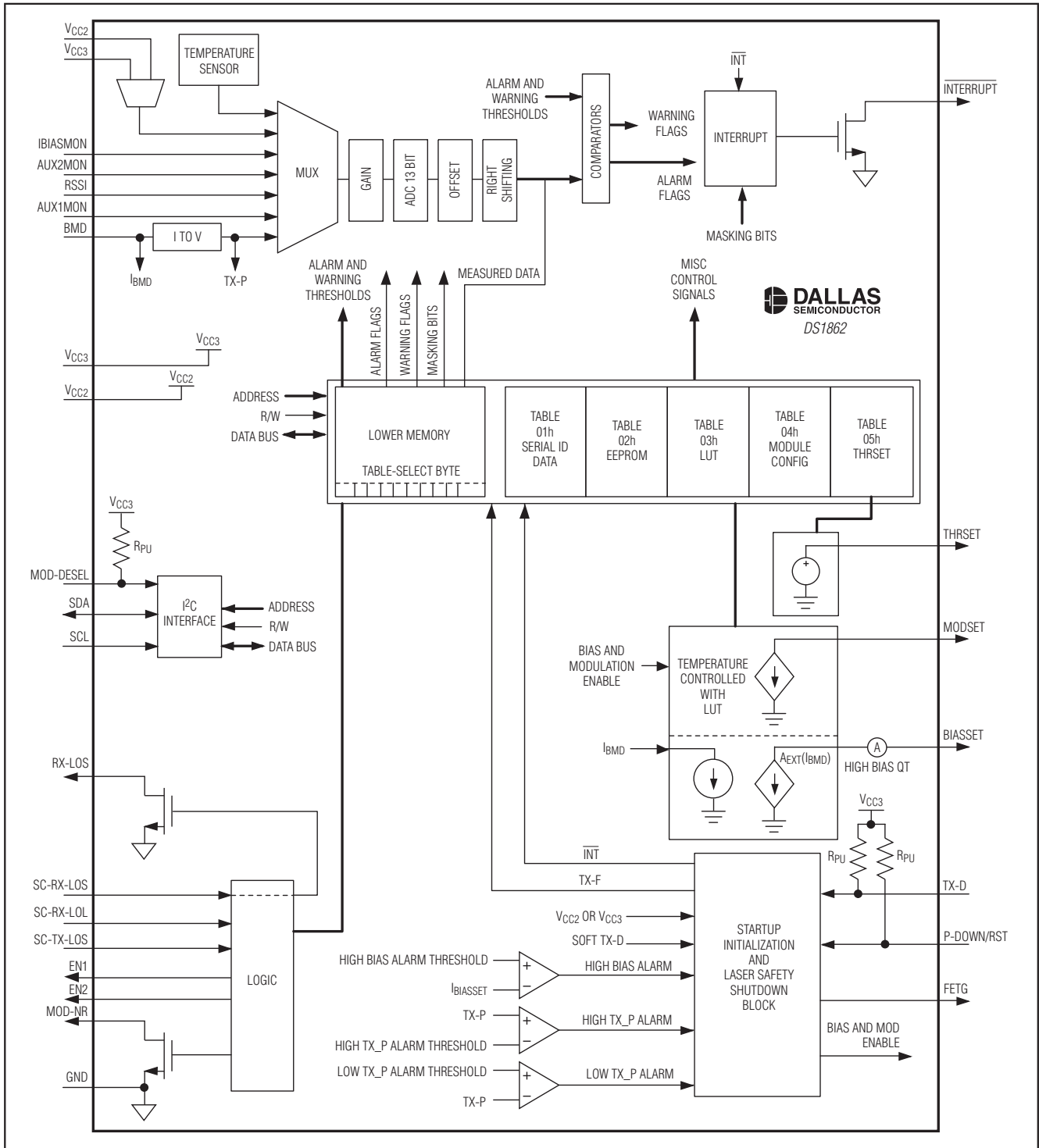
DS1862

名称	引脚	功能
P-DOWN/RST	A1	掉电/复位输入。该多功能引脚内部拉至高电平。更多信息参见掉电/复位引脚部分。
SC-RX-LOS	A2	信号调理接收器信号丢失输入。该引脚为高电平有效输入，采用LVCMOS/LVTTL电平。
SC-RX-LOL	A3	信号调理接收器失锁输入。该引脚为高电平有效输入，采用LVCMOS/LVTTL电平。
THRSET	A4	门限设置输出。该引脚为可编程电压源，用于Rx信号调理器。
VCC2	A5	1.8V电源输入。
RX-LOS	B1	接收器信号丢失指示。漏极开路输出，用于指示光功率不足的情况。
SCL	B2	I ² C串行时钟输入。
FETG	B3	FET栅极输出。该引脚用于驱动外部FET的栅极，发生故障时断开连接。
RSSI	B4	接收功率信号输入。
MODSET	B5	调制电流输出。该引脚只能吸入电流。
TX-D	C1	发送禁止输入。该引脚具有内部上拉电阻。
SDA	C2	I ² C串行数据输入/输出。
EN1	C3	使能1输出。信号调理器功能控制。
EN2	C4	使能2输出。信号调理器功能控制。
BIASSET	C5	偏置电流输出。该引脚只能吸入电流。
INTERRUPT	D1	中断。该引脚为漏极开路输出，向主机通报可能的工作故障或临界状态。
MOD-NR	D2	模块工作故障指示。漏极开路输出，该引脚用于指示MOD-NR标志位的状态。
AUX1MON	D3	Aux1监视器输入。该引脚可测量任何电压量。
AUX2MON	D4	Aux2监视器输入。该引脚可测量任何电压量或外部温度传感器。
BMD	D5	监视二极管电流输入。该引脚可源出或吸入电流。
GND	E1	地。
MOD-DESEL	E2	模块禁止输入。该引脚必须拉至低电平使能I ² C通信。该引脚由内部拉至高电平。
IBIASMON	E3	偏置监视器输入。该引脚用于监视激光器两端的电压。
SC-TX-LOS	E4	信号调理发送器信号丢失。该引脚为高电平有效输入，采用LVCMOS/LVTTL电平。
VCC3	E5	3.3V或5V电源输入。

XFP 激光器控制和数字诊断 IC

DS1862

方框图



XFP激光器控制和数字诊断IC

详细说明

以下各节以及存储器图/存储器说明详细描述了DS1862方框图中的各个功能电路。

自动功率控制(APC)

DS1862闭环调节偏置电流(BIASSET)实现APC,使光二极管的反馈电流(BMD)与APC寄存器设定的数值一致。下式给出了APC寄存器和 I_{BMD} 的关系:

$$I_{BMD} = 5.859\mu\text{A} \times \text{APC}_{C<7:0>} + (1.464\mu\text{A} \times \text{APC}_{F<1:0>})$$

其中, $\text{APC}_{C<7:0>}$ 是表04h、84h字节的8位数值,用于BMD电流的粗调; $\text{APC}_{F<1:0>}$ 是2位数,用于BMD电流的细调。

BMD引脚作为电压源输出与两个电阻串联。BMD输入引脚的总等效电阻可按照图8近似估算。假设没有外部电流负载,如果BMD处于吸入电流模式($\text{SRC_SINK_B} = 0$),则BMD引脚的电压为1.2V;如果BMD处于源出电流模式($\text{SRC_SINK_B} = 1$),其电压为2.0V。允许光电二极管以 V_{CC3} 或GND为参考。当控制回路处于稳定状态时,BMD电流设置与由内部电阻电压测量得到的 I_{BMD} 一致。瞬态过程中,DS1862调节BIASSET引脚的电流驱动,使环路进入稳定状态。DS1862支持1/20至10的环路增益。

上电时,BMD电流逐渐上升至EEPROM APC寄存器保存的电流设置。工作期间,DS1862监视BMD电流。如果电流偏离所要求(设置)的 I_{BMD} ,则再次调节BIASSET引脚的电流,对其进行补偿。

消光比控制查找表(LUT)

DS1862通过温度查找表(LUT)控制消光比。MODSET引脚可以通过8位二进制码控制其吸入电流。DS1862还具有用户可配置的电流范围,以提高消光比的分辨率。如表1所示,具有5个电流范围,用于控制流入MODSET的电流。

表1. 可选择的MODSET电流范围

LUT CURRENT RANGE TABLE 04h, BYTE 86h<2:0>	CURRENT RANGE (μA)
000	0 to 75
001	0 to 150
010	0 to 300
011	0 to 600
100	0 to 1200

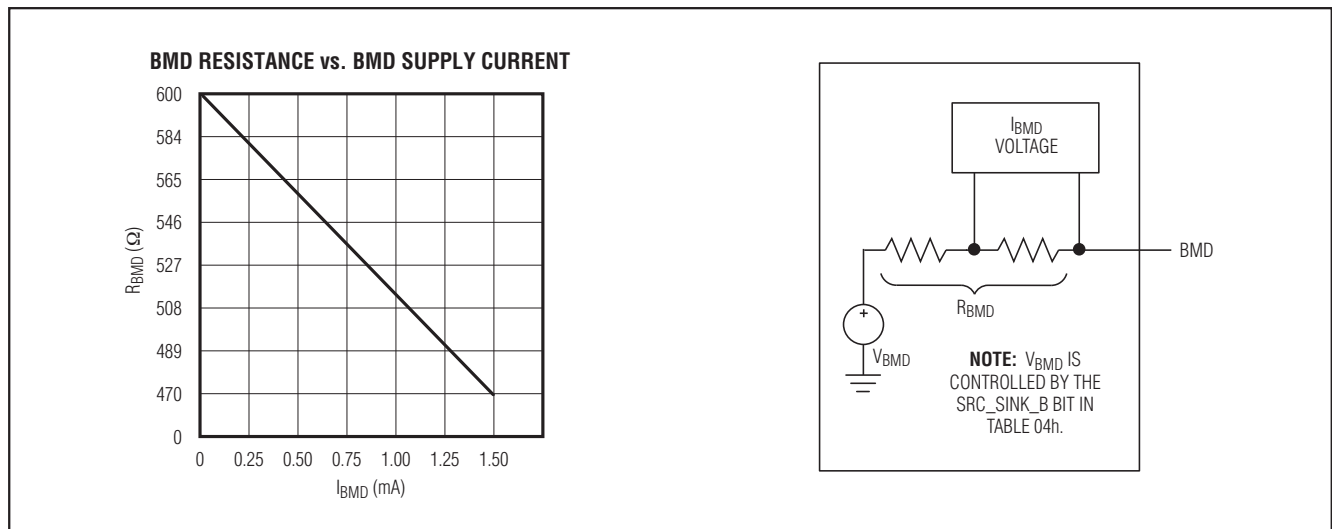


图8. BMD输入的近似模型

XFP激光器控制和数字诊断IC

如果选择了最大电流范围，最大值FFh (来自LUT)对应的吸入电流为1200 μ A。无论选择哪个电流范围，MODSET电流值总是分为256级(包括0在内)。

I_{MODSET} 可以通过基于温度的查找表实现自动控制，或通过其它三种方法实现手动控制。

利用内部或外部温度传感器控制地址指针，能够实现自动温度寻址表。该指针索引对应于预先加载的127个8位电流值，存储在LUT中。在-40°C至+102°C温度范围内，以2°C为间隔分为127个温度点。任何高于或低于这些设置点的温度，会检索到位于第一和最后一个温度段的代码。内部温度传感器以及连接到AUX2MON的外部传感器可以提供这个信号，通过索引表LUT，实现消光比的自动控制。表2列出了温度与LUT存储位置的对应关系。

表2. 温度查找表

TEMPERATURE (°C)	CORRESPONDING LOOKUP TABLE ADDRESS
< -40	80h
-40	80h
-38	81h
-36	82h
...	...
+96	C4h
+98	C5h
+100	C6h
+102	C7h
> +102	C7h

MODSET的自动和手动控制由两位设置：即位于表04h、B2h字节的TEN和AEN。默认状态下(出厂时) TEN、AEN均置位，允许基于温度的全自动查找。如果TEN和/或AEN发生变化，则DS1862被设置为某一手动模式。表3所示为手动模式功能。

表3. TEN位和AEN位真值表

TEN	AEN	DS1862 LUT FUNCTIONALITY
0	0	Manual mode that allows users to write a value directly to the LUT VALUE register (Table 04h, Byte B1h) to drive MODSET. While in this mode, the LUT INDEX POINTER register is not being updated, and no longer drives the LUT VALUE register.
0	1	Manual mode that allows users to write a value directly to the LUT VALUE register (Table 04h, Byte B1h) to drive MODSET. While in this mode, the LUT INDEX POINTER register is still being updated; however, it no longer drives the LUT VALUE register.
1	0	Manual mode that allows users to write a value to the LUT INDEX POINTER register (Table 04h, Byte B0), then the DS1862 updates the LUT VALUE register (Table 04h, Byte B1h) based on the user's index pointer.
1	1	Automatic mode (factory default). This mode automatically indexes the LUT based on temperature, placing the resulting LUT address in the LUT INDEX POINTER register (Table 04h, Byte B0h). Then the MODSET setting is transferred from that LUT address to the LUT VALUE register (Table 04h, Byte B1h). Lastly, the I_{MODSET} is set to the new MODSET code.

XFP激光器控制和数字诊断IC

DS1862

监视通道

DS1862以循环复用方式顺序监视7个电压信号，并以 t_{FRAME} 帧速率刷新。所有通道的读数均为16位，具有13位分辨率，除温度测量值外，所有通道都不带符号位。除内部温度外，所有被监视通道的16位读数是8次模/数转换值取平均的结果。内部温度监视通道则是16次转换值取平均的结果。有关每个通道内部校准的详细说明，请参考内部校准部分。

AUX1MON、AUX2MON和 $V_{CC2/3}$ 监视通道可选，并可禁止工作。这一功能有助于加快那些必要监视通道的刷新速率。不能禁止的通道是：内部温度、BMD、RSSI和IBIASMON。满量程(FS)信号值(采用工厂内部校准，没有右移操作)和所有7个通道的FS码在表4中给出。

温度测量—内部或外部

DS1862可测量三个不同渠道的温度：内部温度传感器、AUX1MON和AUX2MON。只有内部温度通道和AUX2MON通道可以检索LUT，控制消光比。若采用AUX2MON的外部温度传感器，必须将表04h、8Bh字节的TEMP_INT/EXT置1。通过AUX2MON控制消光比时，内部温度传感器并不停止运行；虽然此时消光比受控于AUX2MON，但仍然由内部温度信号控制温度标志位的状态。当TEMP_INT/EXT = 1时，内部温度门限在-40°C和+103.9375°C；当TEMP_INT/EXT = 0时，内部温度门限在-120°C和+127.984°C。AUX2MON具有自身的标志位，可以指示是否超出容限，触发INTERRUPT引脚。

AUX1MON和AUX2MON均可用来测量温度，温度值为各自引脚电压的函数。选择表5中的0h或4h，可启用AUX1MON和AUX2MON。将输入电压转化成2的补码时，需要内部(或外部)校准，转化结果可从结果寄存器的低位存储器6Ah、6Bh和6Ch、6Dh中读取。

测量 $V_{CC2/3}$

DS1862内部可灵活测量 V_{CC2} 和 V_{CC3} ，以监视电源电压。 V_{CC2} 和 V_{CC3} 由用户选择，通过表01h、DCh字节的 $V_{CC2/3_SEL}$ 位设置。无论选择监视 V_{CC2} 还是 V_{CC3} ，可以通过将表04h、8Bh字节的Reserve_EN位置0，从循环监视过程中撤销 $V_{CC2/3}$ 的更新。模拟电源上电复位标志(POA)指示 V_{CC3} 的状态。表面上看，POA与 $V_{CC2/3}$ 监视通道的功能相同，但它们彼此完全独立，且无任何联系。

RESERVE_EN	$V_{CC2/3_SEL}$	RESULT
0	0	$V_{CC2/3}$ result not enabled.
0	1	$V_{CC2/3}$ result not enabled.
1	0	V_{CC3} is being measured.
1	1	V_{CC2} is being measured.

测量APC和激光器参数—BMD、IBIASMON、RSSI

BMD和BIASSET用于控制并监视激光器功能。无论APC寄存器中的BMD电流如何设置，DS1862通过测量BMD引脚电流，利用该值调节BIASSET引脚的电流，并监视TX-P。IBIASMON引脚向DS1862输入电压信号，用来监视流过激

表4. 监视通道FS和LSB的详细说明

SIGNAL	+FS SIGNAL	+FS (hex)	-FS SIGNAL	-FS (hex)	LSB
Temperature	127.984°C	7FF8	-120°C	8800	0.0625°C
$V_{CC2/3}$	6.5528V	FFF8	0V	0000	100 μ V
IBIASMON	2.4997V	FFF8	0V	0000	38.147 μ V
RSSI	2.4997V	FFF8	0V	0000	38.147 μ V
AUX1MON	6.5528V	FFF8	0V	0000	38.147 μ V
AUX2MON	6.5528V	FFF8	0V	0000	38.147 μ V
BMD (TX-P)	1.5mA	FFF8	0mA	0000	22.888nA

XFP激光器控制和数字诊断IC

光器的偏置电流。该监视通道不会驱动用于故障保护的HIGH BIAS快速触发(QT)报警，DS1862通过监视BIASSET引脚的电流控制HIGH BIAS快速触发报警。与TX-P类似，RSSI引脚用于测量接收功率RX-P。

利用AUX1MON和AUX2MON测量电压

AUX1MON和AUX2MON是辅助监视输入，用于测量其它参数。AUX1/2MON具有用户可选的寄存器，以确定测量值的单位(例如：电压、电流或温度)。除了表示单位外，表5中的4位工作代码可将器件置于特定的模式，以实现内部报警和故障指示。无论选择什么单位，DS1862只能测量正电压，因此，需要进行内部或外部校准以得到与

表5. AUX1/2MON功能选择(单位选择)

VALUE	DESCRIPTION OF AUX1/2MON INTENDED USE (UNITS OF MEASURE)
0000b	Auxiliary monitoring not implemented
0001b	APD bias voltage (16-bit value is voltage in units of 10mV)
0010b	Reserved
0011b	TEC current (mA) (16-bit value is current in units of 0.1mA)
0100b	Laser temperature (same encoding as module temperature)
0101b	Laser wavelength
0110b	+5V supply voltage (encoded as primary voltage monitor)
0111b	+3.3V supply voltage (encoded as primary voltage monitor)
1000b	+1.8V supply voltage (encoded as primary voltage monitor) (VCC2)
1001b	-5.2V supply voltage (encoded as primary voltage monitor)
1010b	+5V supply current (16-bit value is current in 0.1mA)
1101b	+3.3V supply current (16-bit value is current in 0.1mA)
1110b	+1.8V supply current (16-bit value is current in 0.1mA)
1111b	-5.2V supply current (16-bit value is current in 0.1mA)

所测量值相符的二进制数。下文给出了可接受的单位列表和/或相应的用户可编程4位工作代码。

监视通道的报警标志

所有监视通道都具有报警标志，用户所设置的门限与监视通道的结果由内部电路进行比较，自动触发标志位。没有屏蔽的标志位如果发生置位，将在INTERRUPT引脚产生中断或故障保护。只要V_{CC2/3}、AUX2MON、AUX1MON、RSSI和内部温度超过其门限设置，对应的屏蔽位为0，则在INTERRUPT引脚产生一次中断，相应的报警标志置1。同理，只要BMD或BIASSET超过门限设置，则进入故障保护状态。此时FETG引脚立即被触发报警，关断BIASSET和MODSET电流。

监视通道数据转换举例

表6举例说明通过工厂设置校准，RSSI或IBIASMON引脚的实测电压与16位ADC代码的对应关系。工厂默认设置下，LSB设置为38.147μV。

表6. A/D转换举例

MSB (BIN)	LSB (BIN)	VOLTAGE (V)
11000000	00000000	1.875
10000000	10000000	1.255

计算V_{CC2}、V_{CC3}、AUX1MON或AUX2MON时，将无符号16位数转换为十进制，并乘以100μV。

计算温度(内部)时，将2的补码二进制数作为无符号二进制数，将其转换成十进制数并除以256。如果结果大于或等于128，则减去256。

温度：高字节 = -128°C至+127°C有符号数；低字节 = 1/256°C。

表7. 温度位加权

S	2 ⁶	2 ⁵	2 ⁴	2 ³	2 ²	2 ¹	2 ⁰
2 ⁻¹	2 ⁻²	2 ⁻³	2 ⁻⁴	2 ⁻⁵	—	—	—

XFP激光器控制和数字诊断IC

表8. 温度转换举例

MSB (BIN)	LSB (BIN)	TEMPERATURE (°C)
01000000	00000000	+64
01000000	00001000	+64.03215
01011111	00000000	+95
11110110	00000000	-10
11011000	00000000	-40

内部校准

DS1862可以用两种方法调节模拟输入转化为数字量的比例。两个器件轮流校准信号的增益和失调。除内部温度外，所有输入均有唯一的寄存器，用于设置增益和失调校准，见表04h。下表列出了所有监视通道的内部校准功能(包括右移)。

表9. 内部校准功能

SIGNAL	INTERNAL SCALING	INTERNAL OFFSET	RIGHT-SHIFTING
Temperature	—	x	—
V _{CC2/3}	x	x	—
IBIASMON	x	x	x
RSSI (RX-P)	x	x	x
AUX1MON	x	x	x
AUX2MON	x	x	x
BMD (TX-P)	x	x	x

为计算特定输入下的增益和失调，必须知道模拟输入和所要求的数字输出之间的关系。数字输出为全零时，对应的输入是空值(该输入通常为GND)；数字输出为全1时，对应的输入为满量程(FS)值与1个LSB对应数值的差，FS值等于全1数字乘以LSB的加权。例如，如果数字读数为16位，假设LSB为50μV，则FS值为： $2^{16} \times 50\mu\text{V} = 3.2768\text{V}$ 。利用二进制检索可查找相应的增益，使转换器达到所要求的FS。增益确定后，增益值将被加载到相应通道的增

益寄存器。这个过程需要为监视器输入引脚提供两个已知的驱动电压，为得到最佳结果，一个驱动电压应为NULL输入，另一个电压为FS的90%。由于数字读数寄存器的最低有效字节LSB已知，因此当输入为空值和FS时，可以得到对应的数字量。图9所示为DS1862中LUT电路的内部滞回。

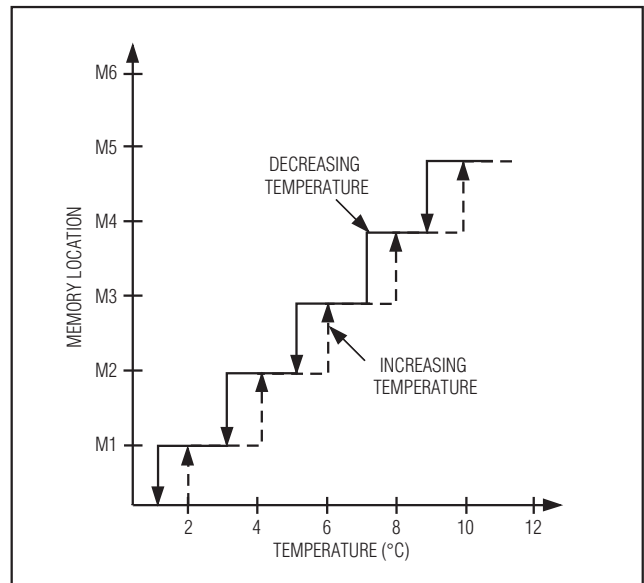


图9. 查找表滞回

只有BMD能够源出或吸入电流，其它所有监视通道均为高阻输出，只能用于测量电压。如需获得其它监测量，如：光信号、频率、功率、电流等，须将其转换为电压量。这种情况下，用户感兴趣的并非监视通道的电压量，而是相关参数的测量值。这时，需要知道间接测试参数(光信号、频率、功率、电流等)与所要求的数字结果的关系。下面的伪码提供了一个建立增益比例的例子，采用推荐的二进制查询流程。

为方便计算，需定义两个整数：count 1和count 2。CNT1 = NULL / LSB，CNT2 = 90%FS / LSB。CLAMP是给定的最大值。

XFP激光器控制和数字诊断IC

```

/* Assume that the Null input is 0.5V. */
/* In addition, the requirement for LSB is 50µV. */
FS = 65536 * 50e-6;      /* 3.2768 */
CNT1 = 0.5 / 50e-6;     /* 10000 */
CNT2 = 0.90*FS / 50e-6; /* 58982 */
/* Thus the NULL input of 0.5V and the 90% of FS input
is 2.94912V. */

set the trim-offset-register to zero;
set Right-Shift register to zero (Typically zero.
See the Right-Shifting section);
gain_result = 0h;
CLAMP = FFF8h/2^(Right_Shift_Register);
For n = 15 down to 0
begin
    gain_result = gain_result + 2^n;
    Force the 90% FS input (2.94912V);
    Meas2 = read the digital result from the part;
If Meas2 >= CLAMP then
    gain_result = gain_result - 2^n;
Else
    Force the NULL input (0.5V);
    Meas1 = read the digital result from the part;
    if (Meas2 - Meas1) > (CNT2 - CNT1) then
        gain_result = gain_result - 2^n;
end;
Set the gain register to gain_result;

```

至此增益寄存器设置完毕，并且转换器分辨率与所期望的LSB达到最佳匹配。下一步就是DS1862的失调校准。将适当的增益值写入增益寄存器后，再次将NULL输入连接至监视引脚。从器件中读取数字量(Meas1)。失调等于Meas1的负值。

$$\text{OFFSET_REGISTER} = \left\lceil \frac{(-1)\text{Meas1}}{4} \right\rceil$$

将计算出的失调写入DS1862，至此便完成了增益比例调节和失调比例调节的所有步骤。

A/D转换结果右移(可扩展动态范围)

右移是重新获得校准系统损失的ADC量程的数字方法。启用右移功能后，需要在右移寄存器中写入一个非零数值，然后，DS1862在将校准结果存储到监视通道寄存器之前对其进行移位操作。如果校准后的系统，其最大输入对应的数字输出小于7FFFh (FS的50%)，建议使用右移操作。

如果系统的最大数字输出小于7FFFh，那么校准后的系统只使用了不到1/2的ADC量程。同样，如果最大数字输出小于1FFFh，那么校准系统仅使用了ADC量程的1/8。例如，如果最大模拟输入产生一个小于1FFCh的最大数字输出，则仅用到了ADC量程的1/8。作为内部校准的一部分，右移操作可以提高测量信号的分辨率。如果没有右移操作，则无法得到ADC的3个最高有效位。此时，右移3位后可以达到ADC的最大量程，必须加载较大的增益设置，以获得最佳转换结果。这是一个左对齐的13位转换器，无分辨率损失。数值右移3次后，不会有分辨率损失。下表列出了有效使用右移操作的方法。

表10. 右移选择

OUTPUT RANGE USED WITH ZERO RIGHT-SHIFTS	NUMBER OF RIGHT-SHIFTS NEEDED
0h .. FFFFh	0
0h .. 7FFFh	1
0h .. 3FFFh	2
0h .. 1FFFh	3
0h .. 0FFFh	4

XFP激光器控制和数字诊断IC

AUX1/2MON、 $V_{CC2/3}$ 、Temp、RX-P和IBIASMON报警逻辑电路

当被监视的模拟通道超出用户定义的门限时，DS1862将产生报警和/或告警信号。温度、偏置电流(基于IBIASMON)、接收功率(基于RSSI)、AUX1MON、AUX2MON和 $V_{CC2/3}$ 等

被监视通道产生闭锁标志。有关AUX1MON和AUX2MON的详细说明请参考下图。一旦被监视通道超出所定义的工作窗口，闭锁标志置为高电平，每个被监视信号都有一个屏蔽位，将其置1则禁止相应的报警或告警标志位置位。一旦标志位置1，通过读存储器操作即可将其清零。

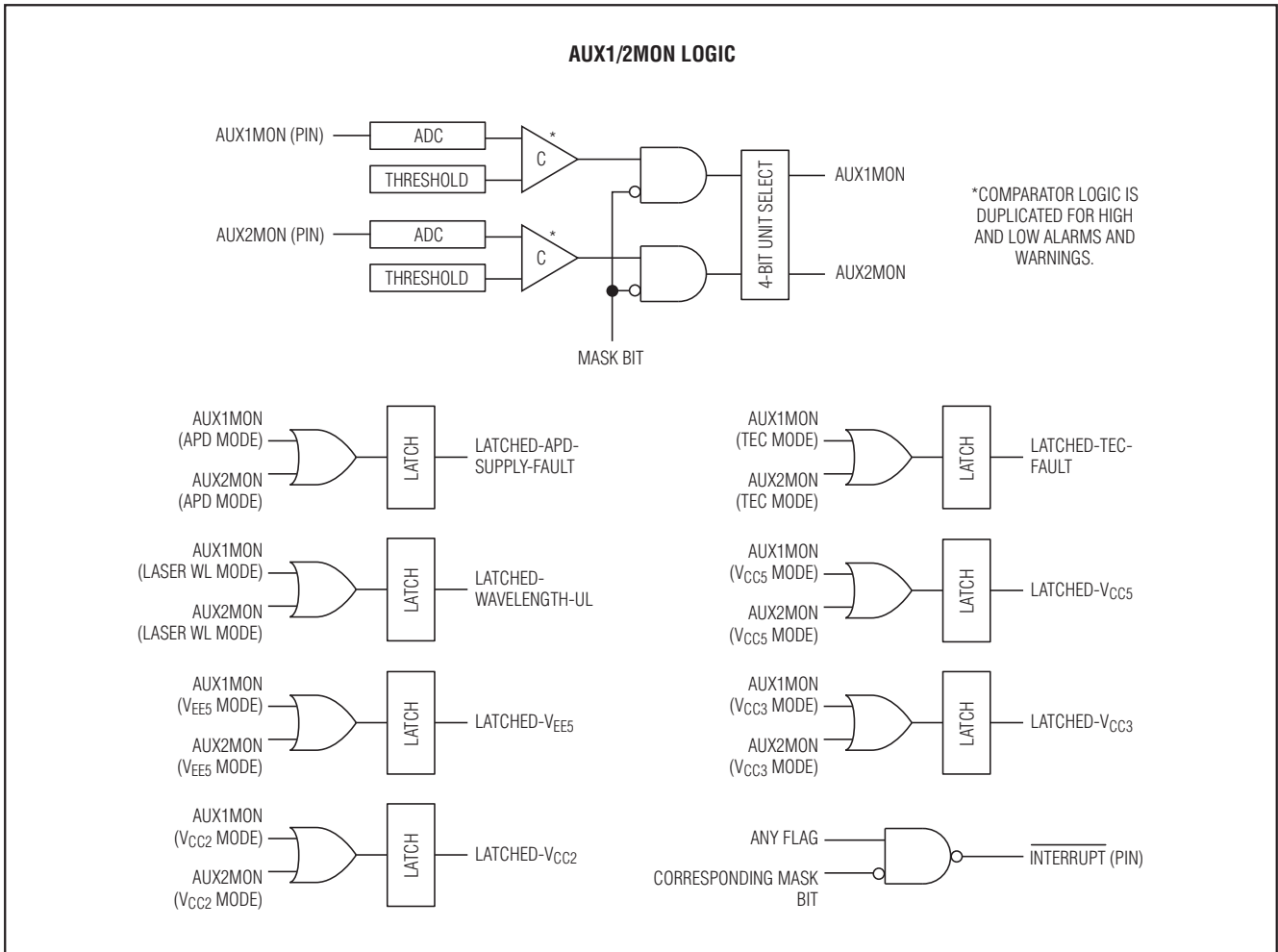


图10. AUX1/2MON监视逻辑电路

XFP激光器控制和数字诊断IC

信号调理器的报警逻辑电路

DS1862还具有由信号调理器(SC)引脚: SC-RX-LOL、SC-RX-LOS、SC-TX-LOS的逻辑状态设置的标志位。同样,每个闭锁信号调理标志位也相应屏蔽位,可以禁止报警标志触发INTERRUPT中断。读存储器时,标志位被自动清零。详细信息请参考图11。

快速触发逻辑和FETG关断功能

除报警功能外,DS1862还具有快速触发(QT,有时称为快速报警)功能,可以通过FETG引脚关断激光器,同时关

断 I_{MODSET} 和 $I_{BIASSET}$ 。测量 I_{BMD} 和 $I_{BIASSET}$ 电流,并与用户定义的门限进行比较,将快速触发标志置位,其中包括:QT LOW TX-P、QT HIGH TX-P平和QT HIGH BIAS。也可以屏蔽这些标志位,在检测到超出容限的条件时禁止FETG有效。将TX-D引脚、SOFT TX-D或P-DOWN/RST引脚置为高电平时,禁用FETG;但将关断 I_{MODSET} 和 $I_{BIASSET}$ 。详细信息请参考图12。

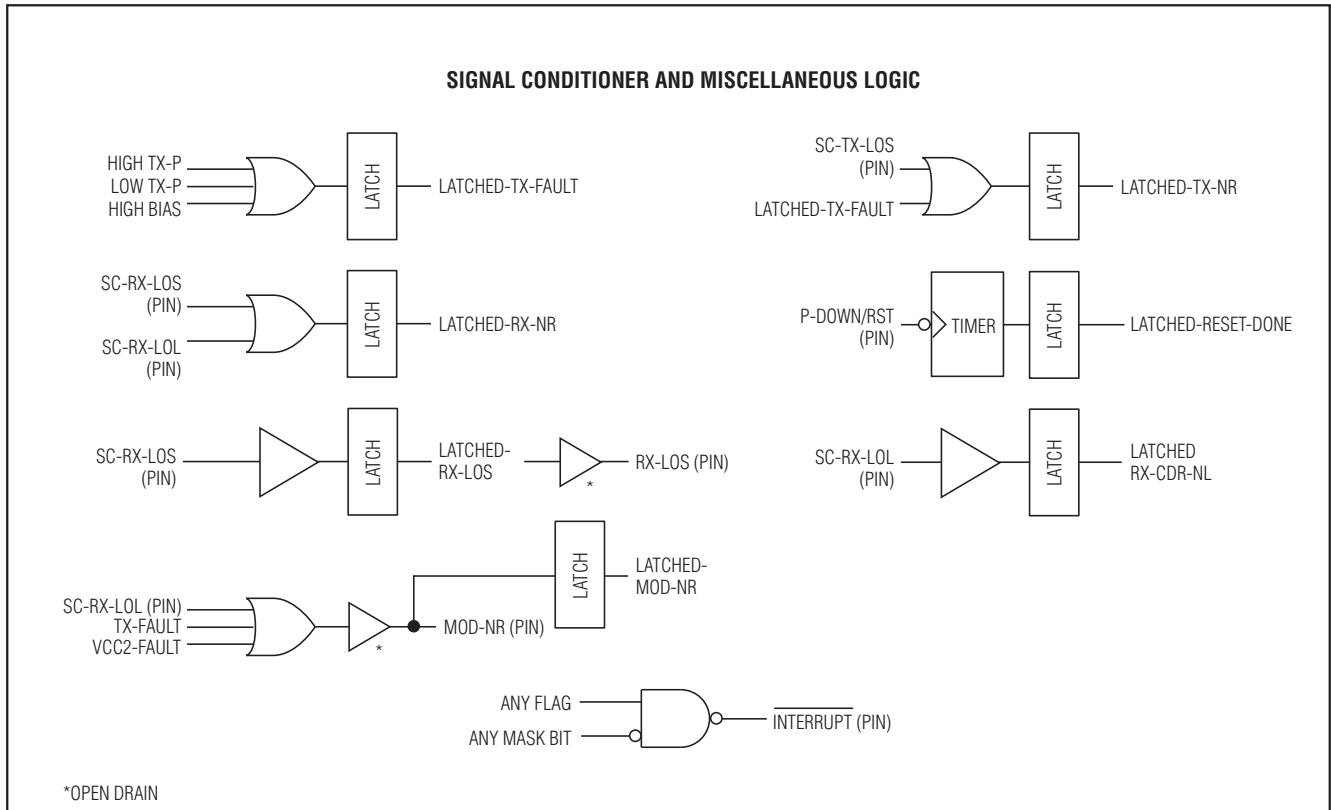


图11. 信号调理器及其它逻辑电路

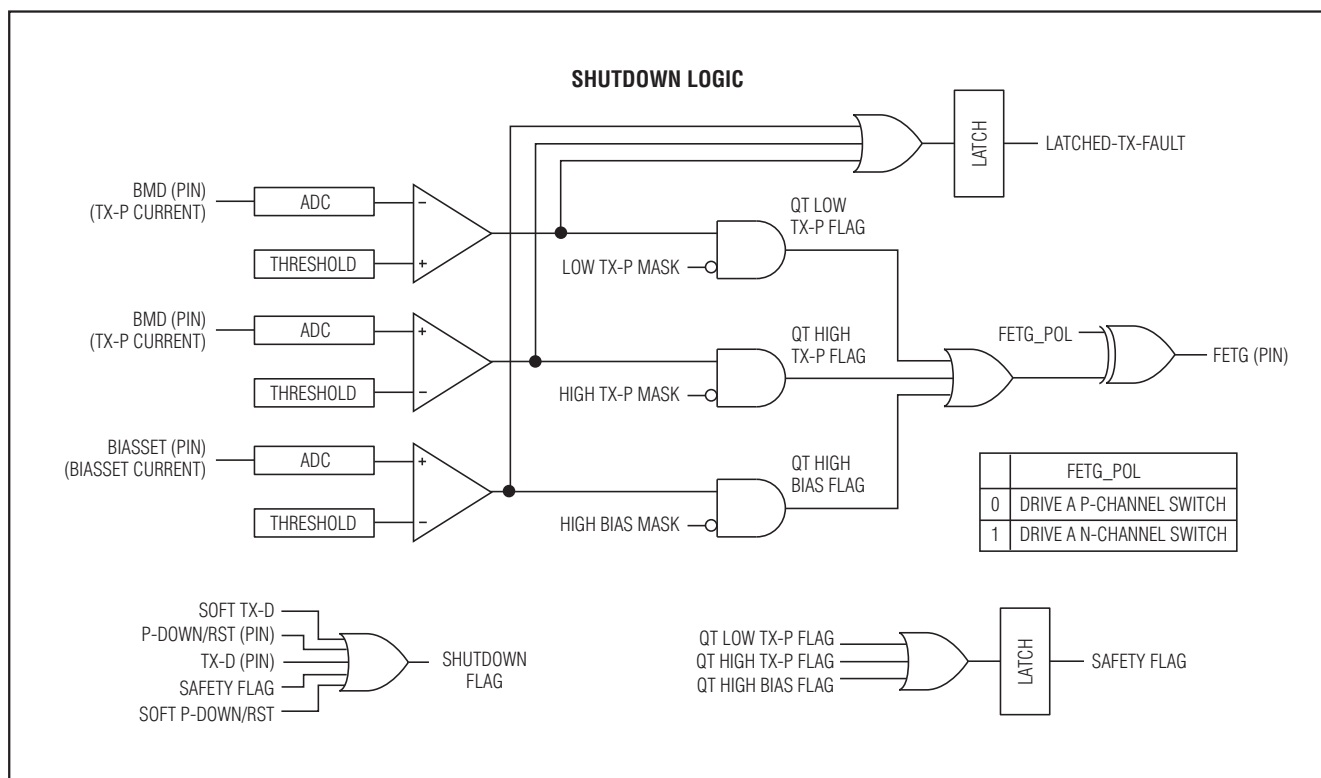


图12. 故障保护和关断逻辑

将FETG_POL位置1可以改变FETG引脚的极性。发生故障时，只有将P-DOWN/RST引脚置为高电平的持续时间达到 t_{RESET} 复位时间，或触发6Eh字节的第3位SOFT P-DOWN/RST，才能将FETG引脚和所有相关标志复位。详细信息请参考掉电/复位引脚部分。

掉电/复位引脚

P-DOWN/RST引脚为多功能输入引脚，用于DS1862的复位和/或掉电操作。由于该引脚为内部上拉，通常处于释放状态，对应于掉电模式。如果释放P-DOWN/RST引脚，或将其驱动至高电平，DS1862将关断MODSET和BIASSET电流。拉低该引脚，器件正常工作(如果没有发生故障)。除了使DS1862断电，可在P-DOWN/RST引脚加载一个脉冲，脉冲高电平持续时间为最小复位时间， t_{RESET} ，这对

于重新启动DS1862是必要的，尤其当器件处于安全关断状态，并且在故障状态解除后需要重新启动时。正确的引脚时序请参考时序图。

掉电功能

掉电模式下， $I_{BIASSET}$ 和 I_{MODSET} 下降到 $10\mu A$ 以下，激光器关断。在此过程中，FETG无效，而且不会发生故障保护。掉电期间， I^2C 通信依然有效，但信号调理引脚EN1和EN2不可控，状态自动改变为：EN1 = 1和EN2 = 0。信号调理器输入的其它内部标志/信号在掉电期间仍能反映信号调理引脚的状态。例如，RX-LOS仍反映SC-RX-LOS的状态，MOD-NR则反映信号调理器的逻辑状态。即使关断BIASSET和MODSET电流，仍可触发FETG。然而，在掉电和短路 $t_{PDR-OFF}$ 期间、上电期间，忽略TX-P低电平标志(内部自动屏蔽)，不影响FETG的逻辑状态。

XFP激光器控制和数字诊断IC

在P-DOWN/RST有效(DS1862掉电)期间,再次给 V_{CC3} 加电,上电之前DS1862将保持在掉电模式。掉电模式下 $\overline{\text{INTERRUPT}}$ 引脚无效。一旦 V_{CC3} 再次加电,在中断有效延迟时间 $t_{\text{INIT_ON}}$ 之后,复位完成标志有效。

复位功能

除了使DS1862掉电外,P-DOWN/RST引脚也可以复位DS1862。高电平持续时间为 t_{RESET} 后,DS1862发生多个操作,首先,MODSET和BIASSET电流关断,随即恢复。然后,在复位脉冲上升沿和复位完成标志有效之间(t_{INIT}),忽略TX-P低电平标志,不会触发FETG, t_{INIT} 之后,TX-P低电平标志有效。与此同时,复位完成标志有效,产生中断。如果在 t_{INIT} 之前没有发生故障, $\overline{\text{INTERRUPT}}$ 引脚没有中断。

如果 V_{CC3} 上电时P-DOWN/RST为高电平,那么复位完成标志必须清零两次。第一次复位完成标志通过 V_{CC3} 上电产生,第二次复位完成标志由P-DOWN/RST的下降沿产生。如果P-DOWN/RST为低时连续给 V_{CC3} 供电,只需清除一次复位完成标志。详细信息请参考时序图。

存储器图

存储器架构

DS1862具有6个独立的存储器表,每个表在内部划分成4字行。低段地址存储器从00h至7Fh,包括报警门限、标

志位、屏蔽位、控制寄存器、密码登录区(PE)以及表选择字节。表01h主要包括用户EEPROM和多个不同功能的控制字节;表02h是用户EEPROM,通过主机加密保护;表03h包括LUT,用于控制消光比;表04h是一个多功能区,包括监视通道的内部校准值、LUT索引指针以及控制字节;表05h由工厂设置,储存配合所推荐的外部温度传感器使用时的SCALE数值。表05h还包含了一个用于控制THRSET电压源的字节,无需任何密码即可访问。各字节功能的详细说明请参考*寄存器详细说明*部分,每个字节所允许的读/写操作见表11。许多非易失存储器实际上由SRAM映射到EEPROM,由表04h、B2h字节的SEEB位控制。

DS1862集成了SRAM映射EEPROM存储单元,用于存放需要多次重写的关键存储器地址。默认状态下EEPROM映射位SEEB为0,这些存储单元可作为普通EEPROM。SEEB置1时,其用途类似于SRAM单元,允许无限次的写入,不会损坏EEPROM。也不需要考虑EEPROM的写时间(t_{WR})要求。由于SEEB使能后存储数值的变化不会影响EEPROM,上电时不保留这些变化。SEEB禁止时,上电后的数值是写入的最终值。该功能可以限制校准过程中EEPROM的写次数,或在正常工作期间重复改变监视器门限时有助于减少EEPROM写入次数。下面的内容给出了每个映射EEPROM的位置。

XFP激光器控制和数字诊断IC

DS1862

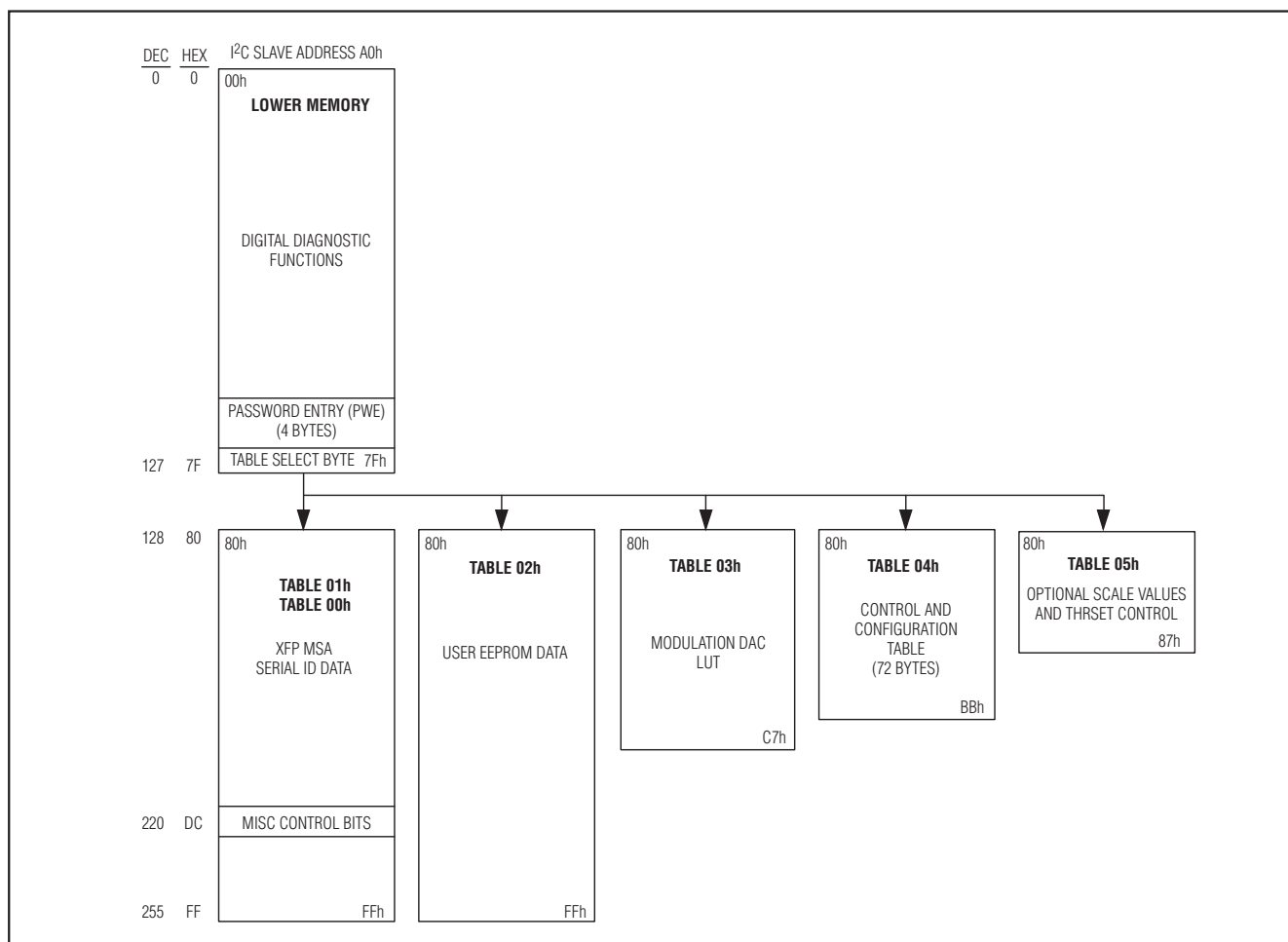


图13. DS1862存储器结构图

寄存器图

表 11. 权限表

PERMISSION	READ	WRITE
<0>	At least one byte in this row is different than the rest of the bytes, so look at each byte separately for permissions.	
<1>	ALL	ALL
<2>	ALL	MODULE
<3>	ALL	HOST
<4>	MODULE	MODULE
<5>	ALL	FACTORY
<6>	NEVER	HOST
<7>	NEVER	MODULE

XFP激光器控制和数字诊断IC

DS1862

LOWER MEMORY (00h–7Fh)																	
ADDRESS (hex)	WORD 0		WORD 1		WORD 2		WORD 3										
	BYTE 0/8	BYTE 1/9	BYTE 2/A	BYTE 3/B	BYTE 4/C	BYTE 5/D	BYTE 6/E	BYTE 7/F									
00<0,2>	USER EE	Signal Cond*	Temp Alarm Hi		Temp Alarm Lo		Temp Warn Hi										
08<2>	Temp Warn Lo		VCC3 Alarm Hi**		VCC3 Alarm Lo**		VCC3 Warn Hi**										
10<2>	VCC3 Warn Lo**		Bias Alarm Hi		Bias Alarm Lo		Bias Warn Hi										
18<2>	Bias Warn Lo		TX-P Alarm Hi		TX-P Alarm Lo		TX-P Warn Hi										
20<2>	TX-P Warn Lo		RX-P Alarm Hi		RX-P Alarm Lo		RX-P Warn Hi										
28<2>	RX-P Warn Lo		AUX1 Alarm Hi		AUX1 Alarm Lo		AUX1 Warn Hi										
30<2>	AUX1 Warn Lo		AUX2 Alarm Hi		AUX2 Alarm Lo		AUX2 Warn Hi										
38<0,2>	AUX2 Warn Lo		USER EE	USER EE	Reserved	Reserved	Reserved	Reserved									
40<1>	Reserved	Reserved	Reserved	Reserved	Reserved	Reserved	USER SRAM	USER SRAM									
48<1>	USER SRAM	USER SRAM	USER SRAM	USER SRAM	USER SRAM	USER SRAM	USER SRAM	USER SRAM									
50<1>	Temp/Res/Bias/ TxP Alarm	RxP/AUX1/AUX2/ Res Alarm	Temp/Res/Bias/ TxP Warn	RxP/AUX1/ AUX2/Res Warn	Tx/Rx Misc Flags	Apd/Tec/ Wave/Res Flags	VCC5/3/2/Vee Alarm Flags	VCC5/3/2/Vee Warn Flags									
58<1>	Temp/Res/Bias/ TxP Mask	RxP/AUX1/AUX2/ Res Mask	Temp/Res/Bias/ TxP Mask	RxP/AUX1/ AUX2/Res Mask	Rx/Rx Misc Mask	Apd/Tec/Wave/ Res Mask	VCC5/3/2/Vee Alarm Mask	VCC5/3/2/Vee Warn Mask									
60<1>	Temp Value		VCC2/3 Value**		Bias Value		TX-P Value										
68<1>	RX-P Value		AUX1 Value		AUX2 Value		GCS1	GCS0									
70<0,1>	Reserved	Reserved	Reserved	Reserved	POA	Reserved	PEC_EN	Host PW									
78<0,1>	Host PW	Host PW	Host PW	PWE (MSB)		PWE (LSB)		Table Select									
EXPANDED BYTES																	
BYTE (hex)	BYTE/WORD NAME	Bit7		Bit6*		Bit5		Bit4		Bit3		Bit2		Bit1		Bit0	
		bit15	bit14	bit13	bit12	bit11	bit10	bit9	bit8	bit7	bit6	bit5	bit4	bit3	bit2	bit1	bit0
01	Signal Cond<1>*	USER EE		USER EE		USER EE		USER EE		USER EE		EN2 Value		EN1 Value		Lock-T1-221	
50	<1>	L-HI-TEMP- AL	L-LO-TEMP- AL	Reserved		Reserved		L-HI-BIAS- AL		L-LO-BIAS- AL		L-HI-TX-P- AL		L-LO-TX- P-AL			
51	<1>	L-HI-RX-P- AL	L-LO-RX-P- AL	L-HI-AUX1- AL		L-LO-AUX1- AL		L-HI-AUX2- AL		L-LO-AUX2- AL		Reserved		Reserved			
52	<1>	L-HI-TEMP- W	L-LO-TEMP- W	Reserved		Reserved		L-HI-BIAS-W		L-LO-BIAS-W		L-HI-TX-P-W		L-LO-TX-P-W			
53	<1>	L-HI-RX-P-W	L-LO-RX-P- W	L-HI-AUX1- W		L-LO-AUX1- W		L-HI-AUX2- W		L-LO-AUX2- W		Reserved		Reserved			
54	<1>	L-TX-NR	L-TX-F	L-TX-CDR- NL		L-RX-NR		L-RX-LOS		L-RX-CDR- NL		L-MOD-NR		L-RESET- DONE			
55	<1>	L-APD-SUP-F	L-TEC-F	L-WAVE-NL		Reserved		Reserved		Reserved		Reserved		Reserved			
56	<1>	L-HI-VCC5- AL	L-LO-VCC5- AL	L-HI-VCC3- AL		L-LO-VCC3- AL		L-HI-VCC2- AL		L-LO-VCC2- AL		L-HI-VEE5- AL		L-LO-VEE5- AL			

*只有当表01h、DDh字节的第0位置1后，才能对地址01h的第0位进行写操作。

**VCC2/3处于保留位置。

XFP激光器控制和数字诊断IC

DS1862

EXPANDED BYTES (CONTINUED)																	
BYTE (hex)	BYTE/WORD NAME	Bit7		Bit6		Bit5		Bit4		Bit3		Bit2		Bit1		Bit0	
		bit15	bit14	bit13	bit12	bit11	bit10	bit9	bit8	bit7	bit6	bit5	bit4	bit3	bit2	bit1	bit0
57	<1>	L-HI-VCC5-W	L-LO-VCC5-W	L-HI-VCC3-W	L-LO-VCC3-W	L-HI-VCC2-W	L-LO-VCC2-W	L-HI-VEE5-W	L-LO-VEE5-W								
58	<1>	HI-TEMP-AL MASK	LO-TEMP-AL MASK	Reserved	Reserved	HI-BIAS-AL MASK	LO-BIAS-AL MASK	HI-TX-P-AL MASK	LO-TX-P-AL MASK								
59	<1>	HI-RX-P-AL MASK	LO-RX-P-AL MASK	HI-AUX1-AL MASK	LO-AUX1-AL MASK	HI-AUX2-AL MASK	LO-AUX2-AL MASK	Reserved	Reserved								
5A	<1>	HI-TEMP-W MASK	LO-TEMP-W MASK	Reserved	Reserved	HI-BIAS-W MASK	LO-BIAS-W MASK	HI-TX-P-W MASK	LO-TX-P-W MASK								
5B	<1>	HI-RX-P-W MASK	LO-RX-P-W MASK	HI-AUX1-W MASK	LO-AUX1-W MASK	HI-AUX2-W MASK	LO-AUX2-W MASK	Reserved	Reserved								
5C	<1>	TX-NR MASK	TX-F MASK	TX-CDR-NL MASK	RX-NR MASK	RX-LOL MASK	RX-CDR-NL MASK	MOD-NR MASK	RESET-DONE MASK								
5D	<1>	APD-SUP-F MASK	TEC-F MASK	WAVE-NL MASK	Reserved	Reserved	Reserved	Reserved	Reserved								
5E	<1>	HI-VCC5-AL MASK	LO-VCC5-AL MASK	HI-VCC3-AL MASK	LO-VCC3-AL MASK	HI-VCC2-AL MASK	LO-VCC2-AL MASK	HI-VEE5-AL MASK	LO-VEE5-AL MASK								
5F	<1>	HI-VCC5-W MASK	LO-VCC5-W MASK	HI-VCC3-W MASK	LO-VCC3-W MASK	HI-VCC2-W MASK	LO-VCC2-W MASK	HI-VEE5-W MASK	LO-VEE5-W MASK								
6E	<1>	TX-D	SOFT TX-D†	MOD-NR	P-DOWN/RST	SOFT P- DOWN/RST†	INTERRUPT	RX-LOS	DATA-NR								
6F	<1>	TX-NR	TX-F	Reserved	RX-NR	RX-CDR-NL	Reserved	Reserved	Reserved								
74	POA <1>	POA	Reserved	Reserved	Reserved	Reserved	Reserved	Reserved	Reserved								
77	Host PW<6>	2 ³¹	2 ³⁰	2 ²⁹	2 ²⁸	2 ²⁷	2 ²⁶	2 ²⁵	2 ²⁴								
78	Host PW<6>	2 ²³	2 ²²	2 ²¹	2 ²⁰	2 ¹⁹	2 ¹⁸	2 ¹⁷	2 ¹⁶								
79	Host PW<6>	2 ¹⁵	2 ¹⁴	2 ¹³	2 ¹²	2 ¹¹	2 ¹⁰	2 ⁹	2 ⁸								
7A	Host PW<6>	2 ⁷	2 ⁶	2 ⁵	2 ⁴	2 ³	2 ²	2 ¹	2 ⁰								
7B	PWE<6>	2 ³¹	2 ³⁰	2 ²⁹	2 ²⁸	2 ²⁷	2 ²⁶	2 ²⁵	2 ²⁴								
7C	PWE<6>	2 ²³	2 ²²	2 ²¹	2 ²⁰	2 ¹⁹	2 ¹⁸	2 ¹⁷	2 ¹⁶								
7D	PWE<6>	2 ¹⁵	2 ¹⁴	2 ¹³	2 ¹²	2 ¹¹	2 ¹⁰	2 ⁹	2 ⁸								
7E	PWE<6>	2 ⁷	2 ⁶	2 ⁵	2 ⁴	2 ³	2 ²	2 ¹	2 ⁰								
7F	Table Select<1>	2 ⁷	2 ⁶	2 ⁵	2 ⁴	2 ³	2 ²	2 ¹	2 ⁰								

†表01h中DDh字节的第6位和第5位分别屏蔽6Eh字节的第6位和第3位。

XFP激光器控制和数字诊断IC

TABLE 01h (SERIAL ID MEMORY)																	
ADDRESS (hex)	WORD 0		WORD 1		WORD 2		WORD 3										
	Byte 0/8	Byte 1/9	Byte 2/A	Byte 3/B	Byte 4/C	Byte 5/D	Byte 6/E	Byte 7/F									
80<2>	USER EE	USER EE	USER EE	USER EE	USER EE	USER EE	USER EE	USER EE	USER EE	USER EE							
88<2>	USER EE	USER EE	USER EE	USER EE	USER EE	USER EE	USER EE	USER EE	USER EE	USER EE							
90<2>	USER EE	USER EE	USER EE	USER EE	USER EE	USER EE	USER EE	USER EE	USER EE	USER EE							
98<2>	USER EE	USER EE	USER EE	USER EE	USER EE	USER EE	USER EE	USER EE	USER EE	USER EE							
A0<2>	USER EE	USER EE	USER EE	USER EE	USER EE	USER EE	USER EE	USER EE	USER EE	USER EE							
A8<2>	USER EE	USER EE	USER EE	USER EE	USER EE	USER EE	USER EE	USER EE	USER EE	USER EE							
B0<2>	USER EE	USER EE	USER EE	USER EE	USER EE	USER EE	USER EE	USER EE	USER EE	USER EE							
B8<2>	USER EE	USER EE	USER EE	USER EE	USER EE	USER EE	USER EE	USER EE	USER EE	USER EE							
C0<2>	USER EE	USER EE	USER EE	USER EE	USER EE	USER EE	USER EE	USER EE	USER EE	USER EE							
C8<2>	USER EE	USER EE	USER EE	USER EE	USER EE	USER EE	USER EE	USER EE	USER EE	USER EE							
D0<2>	USER EE	USER EE	USER EE	USER EE	USER EE	USER EE	USER EE	USER EE	USER EE	USER EE							
D8<2>	USER EE	USER EE	USER EE	USER EE	V _{CC2/3} _SEL	LO MEM 6Eh EN	AUX1/2 UNIT SEL			USER EE							
E0<2>	USER EE	USER EE	USER EE	USER EE	USER EE	USER EE	USER EE	USER EE	USER EE	USER EE							
E8<2>	USER EE	USER EE	USER EE	USER EE	USER EE	USER EE	USER EE	USER EE	USER EE	USER EE							
F0<2>	USER EE	USER EE	USER EE	USER EE	USER EE	USER EE	USER EE	USER EE	USER EE	USER EE							
F8<2>	USER EE	USER EE	USER EE	USER EE	USER EE	USER EE	USER EE	USER EE	USER EE	USER EE							
EXPANDED BYTES																	
BYTE (hex)	BYTE/WORD NAME	Bit7		Bit6		Bit5		Bit4		Bit3		Bit2		Bit1		Bit0	
		bit ₁₅	bit ₁₄	bit ₁₃	bit ₁₂	bit ₁₁	bit ₁₀	bit ₉	bit ₈	bit ₇	bit ₆	bit ₅	bit ₄	bit ₃	bit ₂	bit ₁	bit ₀
	USER EE	USER EE		USER EE		USER EE		USER EE		USER EE		USER EE		USER EE		USER EE	
DC<2>	V _{CC2/3} _SEL	Reserved		Reserved		Reserved		Reserved		Reserved		Reserved		Reserved		V _{CC2/3} _SEL	
DD<2>	LO MEM 6Eh EN	Reserved		Enable 6Eh, bit 6		Enable 6Eh, bit 3		Reserved		Reserved		Reserved		Reserved		Lock-Bit	
DE<2>	AUX1/2 UNIT SEL	AUX1-SEL ²³		AUX1-SEL ²²		AUX1-SEL ²¹		AUX1-SEL ²⁰		AUX2-SEL ²³		AUX2-SEL ²²		AUX2-SEL ²¹		AUX2-SEL ²⁰	

注：表01h的字节DDh<6:5>使能低段存储器中字节6Eh的第6位和第3位。

TABLE 02h (HOST USER MEMORY)										
ADDRESS (hex)	WORD 0		WORD 1		WORD 2		WORD 3			
	Byte 0/8	Byte 1/9	Byte 2/A	Byte 3/B	Byte 4/C	Byte 5/D	Byte 6/E	Byte 7/F		
80–FF<3>	USER EE	USER EE	USER EE	USER EE	USER EE	USER EE	USER EE	USER EE	USER EE	USER EE

TABLE 03h (MODSET LOOKUP TABLE)								
ADDRESS (hex)	WORD 0		WORD 1		WORD 2		WORD 3	
	Byte 0/8	Byte 1/9	Byte 2/A	Byte 3/B	Byte 4/C	Byte 5/D	Byte 6/E	Byte 7/F
80–87<4>	USER EE, < -40°C	USER EE, -40°C	USER EE, -38°C	USER EE, -36°C	USER EE, -34°C	USER EE, -32°C	USER EE, -30°C	USER EE, -28°C
88–BF<4>	—	—	—	—	—	—	—	—
C0–C7<4>	USER EE, +88°C	USER EE, +90°C	USER EE, +92°C	USER EE, +94°C	USER EE, +96°C	USER EE, +98°C	USER EE, +100°C	USER EE, > +102°C

XFP激光器控制和数字诊断IC

DS1862

TABLE 04h (CONTROL AND CONFIG) (80h–BBh)																	
ADDRESS (hex)	WORD 0		WORD 1		WORD 2		WORD 3										
	Byte 0/8	Byte 1/9	Byte 2/A	Byte 3/B	Byte 4/C	Byte 5/D	Byte 6/E	Byte 7/F									
80<4>	Reserved	BIAS SHIFT, TX-P SHIFT	RX-P SHIFT, AUX1 SHIFT	AUX2 SHIFT, Reserved	APC REF COARSE	APC REF FINE	LUT RANGE	Control Register 1									
88<4>	QT TX-P HI	QT TX-P LO	QT HIGH BIAS	Control Register 2	Reserved	Reserved	Reserved	Reserved									
90<4>	Reserved	Reserved	MSB VCC2/3 SCALE	LSB VCC2/3 SCALE	MSB BIAS SCALE	LSB BIAS SCALE	MSB TX-P SCALE	LSB TX-P SCALE									
98<4>	MSB RX-P SCALE	LSB RX-P SCALE	MSB AUX1 SCALE	LSB AUX1 SCALE	MSB AUX2 SCALE	LSB AUX2 SCALE	Reserved	Reserved									
A0<4>	MSB TEMP OFFSET	LSB TEMP OFFSET	MSB VCC2/3 OFFSET	LSB VCC2/3 OFFSET	MSB BIAS OFFSET	LSB BIAS OFFSET	MSB TX-P OFFSET	LSB TX-P OFFSET									
A8<4>	MSB RX-P OFFSET	LSB RX-P OFFSET	MSB AUX1 OFFSET	LSB AUX1 OFFSET	MSB AUX2 OFFSET	LSB AUX2 OFFSET	Reserved	Reserved									
B0<4>	LUT INDEX POINTER	LUT VALUE	LUT_CONF	Reserved	DAC STATUS	Reserved	Reserved	Reserved									
B8<7>	MOD_PW_CHNG	MOD_PW_CHNG	MOD_PW_CHNG	MOD_PW_CHNG													
EXPANDED BYTES																	
BYTE (hex)	BYTE/WORD NAME	Bit7		Bit6		Bit5		Bit4		Bit3		Bit2		Bit1		Bit0	
		bit15	bit14	bit13	bit12	bit11	bit10	bit9	bit8	bit7	bit6	bit5	bit4	bit3	bit2	bit1	bit0
81	<4>	BIAS SHIFT ²³		BIAS SHIFT ²²		BIAS SHIFT ²¹		BIAS SHIFT ²⁰		TX-P SHIFT ²³		TX-P SHIFT ²²		TX-P SHIFT ²¹		TX-P SHIFT ²⁰	
82	<4>	RX-P SHIFT ²³		RX-P SHIFT ²²		RX-P SHIFT ²¹		RX-P SHIFT ²⁰		AUX1 SHIFT ²³		AUX1 SHIFT ²²		AUX1 SHIFT ²¹		AUX1 SHIFT ²⁰	
83	<4>	AUX2 SHIFT ²³		AUX2 SHIFT ²²		AUX2 SHIFT ²¹		AUX2 SHIFT ²⁰		Reserved		Reserved		Reserved		Reserved	
84	<4>	APC ²⁹		APC ²⁸		APC ²⁷		APC ²⁶		APC ²⁵		APC ²⁴		APC ²³		APC ²²	
85	<4>	Reserved		Reserved		Reserved		Reserved		Reserved		Reserved		APC ²¹		APC ²⁰	
86	<4>	Reserved		Reserved		Reserved		Reserved		Reserved		LUT RANGE ²²		LUT RANGE ²¹		LUT RANGE ²⁰	
87	<4>	FETG_POL		QT TX-P HI Mask		QT HIGH BIAS Mask		QT TX-P LO Mask		Reserved		Reserved		SRC_SINK_B		Reserved	
8B	<4>	Reserved		Reserved		Reserve_EN		TEMP_INT/EXT		Reserved		Reserved		Reserved		Reserved	
B2	LUT_CONF<4>	Reserved		Reserved		Reserved		Reserved		Reserved		SEEB		TEN		AEN	
B4	DAC STATUS<4>	SAFETY Flag		SHUTDOWN Flag		Reserved		QT LOW TX-P Flag		QT HIGH TX-P Flag		QT HIGH BIAS Flag		Reserved		Reserved	
B8	Module PW<7>	2 ³¹		2 ³⁰		2 ²⁹		2 ²⁸		2 ²⁷		2 ²⁶		2 ²⁵		2 ²⁴	
B9	Module PW<7>	2 ²³		2 ²²		2 ²¹		2 ²⁰		2 ¹⁹		2 ¹⁸		2 ¹⁷		2 ¹⁶	
BA	Module PW<7>	2 ¹⁵		2 ¹⁴		2 ¹³		2 ¹²		2 ¹¹		2 ¹⁰		2 ⁹		2 ⁸	
BB	Module PW<7>	2 ⁷		2 ⁶		2 ⁵		2 ⁴		2 ³		2 ²		2 ¹		2 ⁰	

XFP激光器控制和数字诊断IC

TABLE 05h (OPTIONAL OFFSETS AND THRSET)																	
ADDRESS (hex)	WORD 0		WORD 1				WORD 2				WORD 3						
	Byte 0/8	Byte 1/9	Byte 2/A	Byte 3/B	Byte 4/C	Byte 5/D	Byte 6/E	Byte 7/F									
80-87	DS60 SCALE		LM50 SCALE				Reserved		Reserved		Reserved		VTHRSET_VALUE <1>				
EXPANDED BYTES																	
BYTE (hex)	BYTE/WORD NAME	Bit7		Bit6		Bit5		Bit4		Bit3		Bit2		Bit1		Bit0	
		bit15	bit14	bit13	bit12	bit11	bit10	bit9	bit8	bit7	bit6	bit5	bit4	bit3	bit2	bit1	bit0
80	DS60 SCALE <5>	2 ¹⁵	2 ¹⁴	2 ¹³	2 ¹²	2 ¹¹	2 ¹⁰	2 ⁹	2 ⁸	2 ⁷	2 ⁶	2 ⁵	2 ⁴	2 ³	2 ²	2 ¹	2 ⁰
82	LM50 SCALE <5>	2 ¹⁵	2 ¹⁴	2 ¹³	2 ¹²	2 ¹¹	2 ¹⁰	2 ⁹	2 ⁸	2 ⁷	2 ⁶	2 ⁵	2 ⁴	2 ³	2 ²	2 ¹	2 ⁰
87	VTHRSET_VALUE	2 ⁷		2 ⁶		2 ⁵		2 ⁴		2 ³		2 ²		2 ¹		2 ⁰	

寄存器详细说明

规定

行名称

- Name of Byte<Read/Write><Volatile><Power-On Value>
- Name of Byte<Read/Write><Nonvolatile><Factory-Default Setting>
- Name of Byte<Read/Write><Shadowed Nonvolatile><Factory-Default Setting>
- Name of Byte<Read/Write><Status><Power-On Value>

低段存储器

00h

- USER EE<R-all/W-all><Shadowed Nonvolatile><00>

01h

- Signal Condition.....<R-all/W-all><Volatile><00> 如果表01h、字节DDh的<0>位为高电平，只能写入第0位。<2:1>位分别控制EN2和EN1。

02h → 39h

- Alarms and Warnings<R-all/W-Module><Shadowed Nonvolatile><Note*> 这些寄存器为相应的监视通道设置16位门限电平。*注：报警上限出厂时的默认值为FFFFh；报警下限出厂时的默认值为0000h。

3Ah, 3Bh

- USER EE<R-all/W-all><Shadowed Nonvolatile><00>

46h → 4Fh

- USER SRAM.....<R-all/W-all><Volatile><00>

50h → 57h

- Latched Flags<R-all/clear-all><Volatile><00> 相应信号的闭锁标志。读取该标志可将该标志位清零。

58h → 5Fh

- Masks<R-all/W-all><Nonvolatile><00> 这些屏蔽位在内部禁止相应信号触发INTERRUPT中断。设置为低电平时，允许相应的监视通道触发INTERRUPT中断。

60h → 6Dh

- Monitor Values<R-all/W-all><Volatile><xxxx> 这些寄存器由内部更新为监视通道的数值，其读数是左对齐的16位值。

6Eh

- GCS1<R-all/W-all><Volatile><xx> 这些是非闭锁标志。代表相应信号以及特定功能控制位的实时状态。

XFP激光器控制和数字诊断IC

第0位：DATA-NR。该位一直为高电平，直到DS1862上电完毕。此位变成低电平时，表示监视通道数据已准备就绪，可以读取。

第1位：RX-LOS。表示信号的光损耗， t_{LOS-ON} 内更新。

第2位： $\overline{INTERRUPT}$ 。表示 $\overline{INTERRUPT}$ 引脚状态， t_{INIT_ON} 内更新。

第3位：SOFT P-DOWN/RST。读/写位，将DS1862置于掉电模式，触发复位。可通过表01h、字节DDh中的第5位屏蔽。

第4位：P-DOWN/RST。表示P-DOWN/RST引脚的数字状态， t_{PDR-ON} 内更新。

第5位：MOD-NR状态。表示MOD-NR引脚的状态， t_{PDR-ON} 内更新。

第6位：SOFT TX-D。读/写位，可禁止(关断) $I_{BIASSET}$ 和 I_{MODSET} 。可通过表01h、字节DDh中的第6位屏蔽。

第7位：TX-D。表示TX-D引脚的数字状态， t_{OFF} 内更新。

6Fh

- *GCS0* <R-all/W-all><Status><xx> 这些是非闭锁标志，指示相应信号的实时状态。

第0位：保留。

第1位：保留。

第2位：保留。

第3位：RX-CDR-NL。指示Rx通道CDR的LOL。

第4位：RX-NR状态。指示Rx通道尚未准备就绪。

第5位：保留。

第6位：TX-F状态。指示激光器处于故障保护状态。

第7位：TX-NR状态。指示Tx通道尚未准备就绪。

74h

- *POA* <R-all/W-all><Volatile><00> 第7位为高电平时表示 V_{CC3} 低于上电门限，POA。

76h

- *PEC_EN* <R-all/W-all><Volatile><00> 第0位用于使能PEC。该值为1时使能PEC。

77h → 7Ah

- *Host PW Change* <R-never/W-Host><Shadowed Nonvolatile P><00> DS1862用这32位区域与PWE进行比较，判断是否许可访问主机加密存储器。对该区域的读操作，其结果为<FFh>。

7Bh → 7Eh

- *PWE* <R-never/W-all><Volatile><00> 这32位区域用来输入主机和模块密码，以访问DS1862。对该区域的读操作，其结果为<FFh>。

7Fh

- *Table Select* <R-all/W-all><Volatile><01> 这8位寄存器控制I²C寻址的高段存储器(表)部分。00h和01h对应寻址表01h。可接受超过05h的值，但不对任何物理存储器。

表01h

80h → DBh

- *USER EE* <R-all/W-Module><Nonvolatile><00>

DCh

- *VCC2/3_SEL* <R-all/W-Module><Shadowed Nonvolatile><00> 该寄存器的第0位用来控制 $V_{CC2/3}$ 监视通道测量 V_{CC2} 或 V_{CC3} 。该位为‘1’时选择测量 V_{CC2} 。

XFP激光器控制和数字诊断IC

DDh

- *LO MEM 6Eh EN* <R-all/W-Module><Shadowed Nonvolatile><00> 如果第5位为高电平，则不屏蔽6Eh的第3位。如果第6位为高电平，不屏蔽6Eh的第6位。第0位为锁定位(Lock_Bit)。如果置位，可对低段存储器01h的第0位进行写操作。

DEh

- *AUX1/2 UNIT SEL* <R-all/W-Module><Shadowed Nonvolatile><00> 这两个4位值用于定义AUX1MON和AUX2MON测量何种参数。MSB为AUX1MON单元选择，LSB为AUX2MON单元选择。详细信息参见表5。

DFh

- *USER EE* <R-all/W-Module><Shadowed Nonvolatile><00>

E0h → FFh

- *USER EE* <R-all/W-Module><Nonvolatile><00>

表02h

80h → FFh

- *USER EE* <R-all/W-Host><Nonvolatile><00>

表03h

80h → C7h

- *LUT* <R-Module/W-Module><Nonvolatile><00> 这些寄存器控制MODSET的输出电流(该值为温度的函数)。

表04h

80h → B8h

81h

- *BIAS SHIFT* <R-Module/W-Module><Shadowed Nonvolatile><0> <7:4> 4位数值用于定义IBIAS-MON监视通道接收数据的右移位数。MSB为第7位。
- *TX-P SHIFT* <R-Module/W-Module><Shadowed Nonvolatile><0> <3:0> 4位数值用于定义TX-P (BMD)监视通道接收数据的右移位数。MSB为第3位。

82h

- *RX-P SHIFT* <R-Module/W-Module><Shadowed Nonvolatile><0> <7:4> 4位数值用于定义RX-P (RSSI)监视通道接收数据的右移位数。MSB为第7位。
- *AUX1 SHIFT* <R-Module/W-Module><Shadowed Nonvolatile><0> <3:0> 4位数值用于定义AUX1MON监视通道接收数据的右移位数。MSB为第3位。

83h

- *AUX2 SHIFT* <R-Module/W-Module><Shadowed Nonvolatile><0> <7:4> 4位数值用于定义AUX2MON监视通道接收数据的右移位数。MSB为第7位。

84h

- *APC REF COARSE* <R-Module/W-Module><Shadowed Nonvolatile><00> 该8位数值用于设置BMD电流的APC粗调。

XFP激光器控制和数字诊断IC

DS1862

85h

- *APC REF FINE* <R-Module/W-Module><Shadowed Nonvolatile><00> <1:0> 2位数值用于设置BMD电流的APC细调。MSB为第1位。

86h

- *LUT RANGE* <R-Module/W-Module><Shadowed Nonvolatile><00> <2:0> 3位寄存器值用于设置MODSET电流的范围。MSB为第2位。

87h

- *Control Register 1* <R-Module/W-Module><Shadowed Nonvolatile><00>

第0位：保留。

第1位：SRC_SINK_B。如果此位置1，BMD源出电流；反之BMD吸入电流。

第2位：保留。

第3位：保留。

第4位：QT TX-P LO屏蔽。如果此位置1，则TX-P低电平不会产生故障报警。

第5位：QT HIGH BIAS屏蔽。如果此位置1，则HIGH BIAS不会产生故障报警。

第6位：QT TX-P HI屏蔽。如果此位置1，则TX-P高电平不会产生故障报警。

第7位：FETG_POL。如果此位置1，则FETG为高电平有效，反之置为低电平有效。

88h

- *QT TX-P HI* <R-Module/W-Module><Shadowed Nonvolatile><FF> TX-P快速触发门限设置，用于设置TX-P高电平故障报警。

89h

- *QT TX-P LO* <R-Module/W-Module><Shadowed Nonvolatile><00> TX-P快速触发门限设置，用于设置TX-P低电平故障报警。

8Ah

- *QT HIGH BIAS* <R-Module/W-Module><Shadowed Nonvolatile><FF> TX-P快速触发门限设置，用于设置HIGH BIAS故障报警。

8Bh

- *Control Register 2* <R-Module/W-Module><Shadowed Nonvolatile><00>

第0位：保留。

第1位：保留。

第2位：保留。

第3位：保留。

第4位：TEMP_INT/EXT。如果此位置1，LUT INDEX POINTER由AUX2MON控制。否则，由内部温度传感器控制LUT。

第5位：Reserve_EN，此位置1，则V_{CC2/3}在监视环路中有效更新。

第6位：保留。

第7位：保留。

XFP激光器控制和数字诊断IC

92h	• <i>V_{CC2/3} SCALE</i>	<R-Module/W-Module><Shadowed Nonvolatile><Factory Trimmed>	该16位寄存器控制V _{CC2/3} 监视通道的比例值。
94h	• <i>BIAS SCALE</i>	<R-Module/W-Module><Shadowed Nonvolatile><Factory Trimmed>	该16位寄存器控制BIAS监视通道的比例值。
96h	• <i>TX-P SCALE</i>	<R-Module/W-Module><Shadowed Nonvolatile><Factory Trimmed>	该16位寄存器控制TX-P (BMD)监视通道的比例值。
98h	• <i>RX-P SCALE</i>	<R-Module/W-Module><Shadowed Nonvolatile><Factory Trimmed>	该16位寄存器控制RX-P (RSSI)监视通道的比例值。
9Ah	• <i>AUX1 SCALE</i>	<R-Module/W-Module><Shadowed Nonvolatile><Factory Trimmed>	该16位寄存器控制AUX1MON监视通道的比例值。
9Ch	• <i>AUX2 SCALE</i>	<R-Module/W-Module><Shadowed Nonvolatile><Factory Trimmed>	该16位寄存器控制AUX2MON监视通道的比例值。
A0h	• <i>TEMP OFFSET</i>	<R-Module/W-Module><Shadowed Nonvolatile><Factory Trimmed>	该16位寄存器控制内部温度监视通道的失调。
A2h	• <i>V_{CC2/3} OFFSET</i>	<R-Module/W-Module><Shadowed Nonvolatile><0000>	该16位寄存器控制V _{CC2/3} 监视通道的失调。
A4h	• <i>BIAS OFFSET</i>	<R-Module/W-Module><Shadowed Nonvolatile><0000>	该16位寄存器控制BIAS监视通道的失调。
A6h	• <i>TX-P OFFSET</i>	<R-Module/W-Module><Shadowed Nonvolatile><0000>	该16位寄存器控制TX-P (BMD)监视通道的失调。
A8h	• <i>RX-P OFFSET</i>	<R-Module/W-Module><Shadowed Nonvolatile><0000>	该16位寄存器控制RX-P (RSSI)监视通道的失调。
AAh	• <i>AUX1 OFFSET</i>	<R-Module/W-Module><Shadowed Nonvolatile><0000>	该16位寄存器控制AUX1MON监视通道的失调。
ACH	• <i>AUX2 OFFSET</i>	<R-Module/W-Module><Shadowed Nonvolatile><0000>	该16位寄存器控制AUX2MON监视通道的失调。
B0h	• <i>LUT INDEX POINTER</i>	<R-Module/W-Module><Volatile><xx>	该寄存器控制LUT的索引指针。该寄存器可自动更新(正常工作模式下), 并可利用TEN和AEN位读取或重写。

XFP激光器控制和数字诊断IC

DS1862

B1h

- *LUT VALUE*.....<R-Module/W-Module><Shadowed Nonvolatile><00> 该寄存器包含抽取的用来驱动MODSET电流的LUT值。可直接读取或重写该寄存器来控制MODSET电流(手动模式下)。

B2h

- *LUT_CONF*.....<R-Module/W-Module><Shadowed Nonvolatile><03>

第0位: AEN。AEN为高电平时, 使能LUT VALUE寄存器的数据, 驱动MODSET。

第1位: TEN。TEN为高电平时, 使能LUT INDEX POINTER, 从LUT中提取数据。

第2位: SEEB。SEEB为高电平时, 禁止对映射EEPROM区域的EEPROM进行写操作。

第3位: 保留。

第4位: 保留。

第5位: 保留。

第6位: 保留。

第7位: 保留。

B4h

- *DAC STATUS*.....<R-Module/W-Module><Status><xx0xxx00b>

第0位: 保留。

第1位: 保留。

第2位: QT HIGH BIAS标志, 该标志用于指示流入BIASSET的电流是否超出了门限。

第3位: QT HIGH TX-P标志, 该标志用于指示TX-P是否超出了门限。

第4位: QT LOW TX-P标志, 该标志用于指示TX-P是否低于门限。

第5位: 保留。

第6位: SHUTDOWN标志。该位为高电平时表示DS1862处于关断模式, 且置位FETG。

第7位: SAFETY标志。该位为高电平时表示出现故障(快速触发)。

B8h

- *MOD_PW_CHNG*.....<R-never/W-Module><Shadowed Nonvolatile><00h> DS1862用此32位区域比较PWE, 判断是否允许对模块加密区域进行访问。对该区域的读操作, 其结果为<FFh>。

表05h

80h

- *DS60 SCALE*.....<R-all/W-Factory><Nonvolatile><Factory Trimmed> AUX2MON端使用DS60温度传感器时, 这个唯一的16位数值用于设置SCALE寄存器。

82h

- *LM50 SCALE*.....<R-all/W-Factory><Nonvolatile><Factory Trimmed> AUX2MON端使用LM50温度传感器时, 这个唯一的16位数值用于设置SCALE寄存器。

87h

- *VTHRSET_VALUE*.....<R-all/W-all><Shadowed Nonvolatile><80> 该8位数值用于设置信号调理器电压源THRSET的电压。

XFP激光器控制和数字诊断IC

安全/加密保护

DS1862分别有两个独立的32位密码，用于保护重要的存储单元。主机密码和模块密码可以锁存对应的存储器单元，禁止读和/或写访问。为确保DS1862的安全性，不允许读取密码登录和设置字节。

为访问主机或模块受保护的存储单元，必须将正确的32位数值输入到密码登录字节(PWE)，可以写入一个4字节值，也可以写入4个单字节值。重新设置密码时，只需正确输入当前密码，获得访问存储器的权限，然后将一个4字节数写入新的Host PW或PW模块，最后将新密码重新输入PWE，再次获得访问存储器的权限。

上电顺序

DS1862要求特定的上电顺序以确保正常工作。通常首先给V_{CC3}加电，或同时给V_{CC2}加电。如果没有按照这个上电顺序进行操作，V_{CC2}源出电流，如同通过一个电阻在DS1862内部将V_{CC2}连接至V_{CC3}。如果不用V_{CC2}，则从外部将其连接到V_{CC3}。

信号调理器—EN1、EN2和THRSET

信号调理器—EN1和EN2

EN1、EN2输出引脚由地址01h的第2位和第1位控制。引脚的逻辑状态与寄存器的逻辑状态保持一致。如掉电功能部分所述，掉电期间，EN1和EN2分别自动变为高电平和低电平。

信号调理器—THRSET

可编程电压源THRSET用于信号调理。该电压源调节范围为0至1V，分为256级。

I²C和数据包校验(PEC)信息

DS1862支持I²C数据传输的同时，也支持PEC。不能更改从机地址，设置为A0h。但DS1862提供一个专用的MOD-DESEL引脚，是低电平有效的片选信号，用于使能数据通信。详细说明参见I²C串行接口和带数据包校验的I²C通信部分。

AUX2MON的精密SCALE寄存器设置

DS1862具有工厂预置的SCALE值，用于配合DS60或LM50温度传感器使用。如果AUX2MON端的外部温度测量使用这两个传感器，可从表05h读取16位SCALE值，并写入表04h的9Ch字节和9Dh字节的SCALE寄存器。该功能可精确设置SCALE，无需额外调节。由于SCALE寄存器值已在工厂进行了精确设置，因此OFFSET寄存器数值始终不唯一，并可很容易地将其写入OFFSET寄存器。对于DS60，OFFSET寄存器取EF0Ah即可实现内部校准；对于LM50，OFFSET寄存器取F380h即可实现内部校准。

I²C串行接口

I²C定义

下列术语通常用来说明I²C数据传输：

主机设备：主机设备用于控制总线的从机设备。主机设备产生SCL时钟、START条件及STOP条件。

从机设备：从机设备在主机的要求下发送、接收数据。

总线空闲或非忙状态：介于STOP条件和START条件之间，此时SDA和SCL均为无效或逻辑高电平状态。

START条件：START条件由主机产生，启动一次与从机之间的数据传输。SCL为高电平时，SDA由高到低的跳变产生一个START条件。正确时序请参考图14。

STOP条件：STOP条件由主机产生，终止与从机之间的数据传输。SCL为高电平时，SDA由低到高的跳变产生一个STOP条件。正确时序参见图14。

REPEATED START条件：主机可以在一次数据传输结束时使用REPEATED START条件，表示在当前操作结束后立即启动一次新的数据传输。REPEATED START条件通常用于读操作期间确定一个特定的存储器地址，开始一次数据传输。REPEATED START条件与标准START条件相同，正确时序参见图14。

XFP激光器控制和数字诊断IC

写位：SDA跳变必须发生在SCL低电平期间。在整个SCL高脉冲期间以及数据建立时间和保持时间内，SDA上的数据必须保持稳定有效(图14)。数据在SCL的上升沿移入器件。

读位：写操作结束时，主机必须释放SDA总线，在下一个SCL上升沿到来之前(读位时)保持一定的建立时间(图14)。器件在前一次SCL脉冲的下降沿逐位移出SDA数据，数据位在当前SCL脉冲的上升沿保持有效。需要注意的是：主机产生所有的SCL时钟，包括从从机设备读取数据时。

应答(ACK和NACK)：应答(ACK)或非应答(NACK)始终为字节传输过程中发送的第9位。接收数据的设备(读操作中的主机或写操作中的从机)通过在第9位发送“0”执行ACK操作，器件通过在第9位发送“1”执行NACK操作。ACK和NACK的操作时序(图14)与其它写位的时序相同。ACK是设备正常接收数据的应答信号。NACK用于终止一次读操作，或表示器件没有收到数据。

写字节：写字节操作包括从主机发送给从机的8位信息(最高位在前)和由从机发送给主机的1位应答。主机按照“写位”定义发送8位数据，并按照“读位”定义读取应答信息。

读字节：读字节操作包括由从机发送到主机的8位信息和1位由主机发送到从机的ACK或NACK。主机按照“读位”定义读取由从机发送到主机的8位(最高位在前)信息，然后，主机按照“写位”定义发送ACK，以接收附加的数据字节。为终止通信，主机读取最后一个字节后必须发送NACK，以便从机将SDA的控制权返回给主机。

从机地址字节：I²C总线上的每个从机均响应START条件后发出的从机地址字节。从机寻址字节包括7位高有效位的从机地址和最低有效位的R/W位。

DS1862的从机地址为1010000Xb，MOD-DESEL引脚为片选，允许器件响应或忽略器件地址为A0h的I²C通信。通过写入正确的从机地址，并设置R/W=0，主机向从机写入数据。如果R/W=1，主机将从从机读取数据。如果写入了错误的地址，则DS1862假设主机与另一个I²C设备通信，在发送下一个START条件之前不参与数据通信。

存储器地址：在执行I²C写操作期间，主机必须发送一个存储器地址，以确定从机存储数据的位置。写操作期间，存储器地址始终为从机地址字节之后发送的第二个字节。

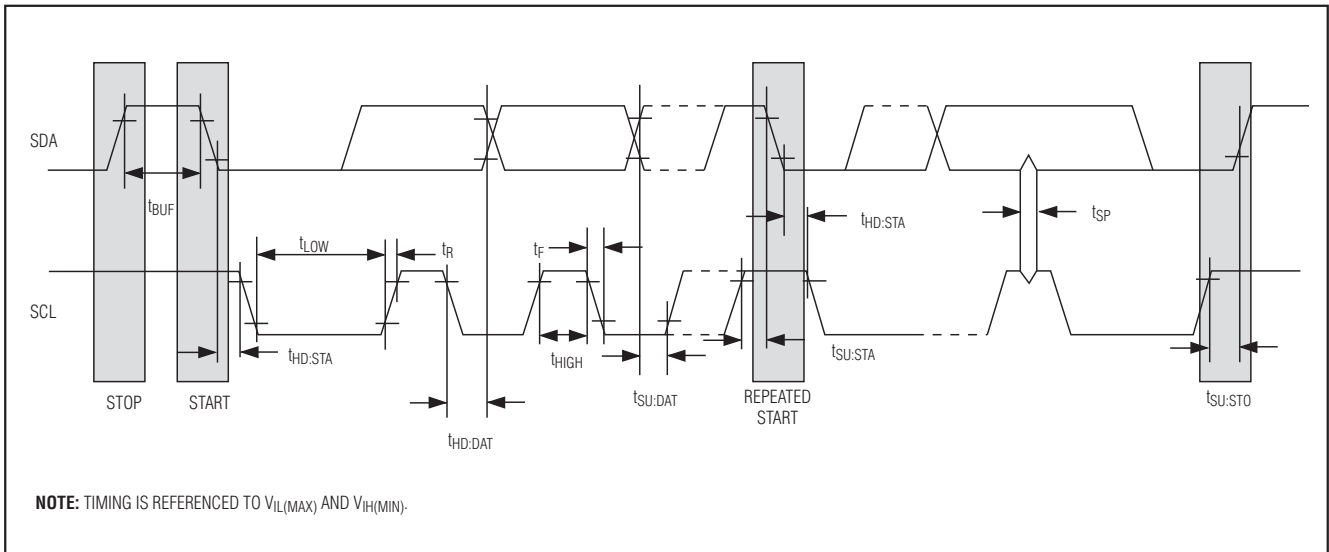


图14. I²C时序图

XFP激光器控制和数字诊断IC

I²C通信

向从机写入一个数据字节：主机首先产生一个START条件，然后写从机地址字节($R/\overline{W} = 0$)、写存储器地址、写数据字节，最后产生STOP条件。注意：在所有字节写操作期间，主机必须读取从机的应答信息。

向从机写入多个字节：若要向从机写入多个字节，则主机首先产生一个START条件，然后写从机地址字节($R/\overline{W} = 0$)、写存储器地址、写入最多4个字节的数据，并产生一个STOP条件。

在一次写操作中，DS1862可写入1至4个字节(称为1行或1页)，由内部地址计数器控制，允许将数据写入连续地址，无需在发送每个数据字节之前传输存储器地址。地址计数器限定只能对存储器映射的一行进行写操作。如果在两行之间不发送STOP条件，而试图对其它存储器行进行写操作，则地址计数器将返回至当前行的起始地址。

为了避免地址返回，主机必须在行结束后发送一个STOP条件，然后等待总线空闲或EEPROM写时序结束。在继续写数据操作之前，主机产生一个新的START条件，写从机地址字节($R/\overline{W} = 0$)，以及下一个存储器行的第一个存储器地址。

应答轮询：任何情况下向EEPROM写入数据时，DS1862都要求在STOP条件之后提供一定的EEPROM写时间(t_w)，以便将行内容写入EEPROM。在执行EEPROM写操作期间，DS1862不应答其从机地址，因为它正处于忙状态。用户可以利用这一特点重复寻址DS1862，以便在DS1862准备就绪接收数据时立即写入下一个行的数据。替代应答轮询的另一种方式是：在试图向DS1862写入新的数据之前等待一个 t_w 最大周期。

EEPROM写次数：写EEPROM时，即使每行只有一个字节需要更改，DS1862也重新写入整个EEPROM存储器行(4字节)。允许写操作不更改每行的全部4个字节，不会破坏

同一行存储器的其它字节。由于是对整行进行写操作，因此没有被更改的字节仍要经历一次写过程。这样，由于重复进行每个字节的写操作，降低了整行存储器的使用寿命。写入每一行时，每次只写一个字节对EEPROM的损耗是一次写整行的4倍。DS1862的EEPROM写次数指标请参考*Nonvolatile Memory Characteristics*表。

从从机读取单个字节：写操作用存储器地址字节定义数据写入的地址，与之不同的是，读操作读的是存储器地址计数器的当前值。为了从位于地址计数器当前地址单元的从机读取单字节，主机产生一个START条件、 $R/\overline{W} = 1$ 时写从机地址字节、读取数据字节并用NACK指示传输结束，最后产生一个STOP条件。

读操作对地址计数器的处理：利用写字节空操作强制地址计数器为一个特定值。这一操作需要以下步骤：主机产生一个START条件，写从机地址字节($R/\overline{W} = 0$)，写入所要读取的存储器地址，产生一个REPEATED START条件，写从机地址字节($R/\overline{W} = 1$)，读取数据并发送适当的ACK或NACK，最后产生一个STOP条件。

图15所示为采用REPEATED START条件规定存储器起始位置的读取实例。

从从机读取多个字节：读操作可在一次传输中读取多个字节。当从从机读取字节时，在结束操作之前，如果想读取另一字节，主机只需应答(ACK)数据字节。在主机读取最后一个字节之后，发出NACK信号表明传输结束，并生成一个STOP条件。在读周期之前，更改或不更改地址计数器的位置都可以实现这一点。如果地址计数器达到最后的物理地址，内部检索指针返回至给定的存储器表的第一个存储器单元。例如，如果读取表02h中的地址FFh，则返回主机的下一个数据字节地址为表02h中的80h，而不是低地址存储器中的00h。

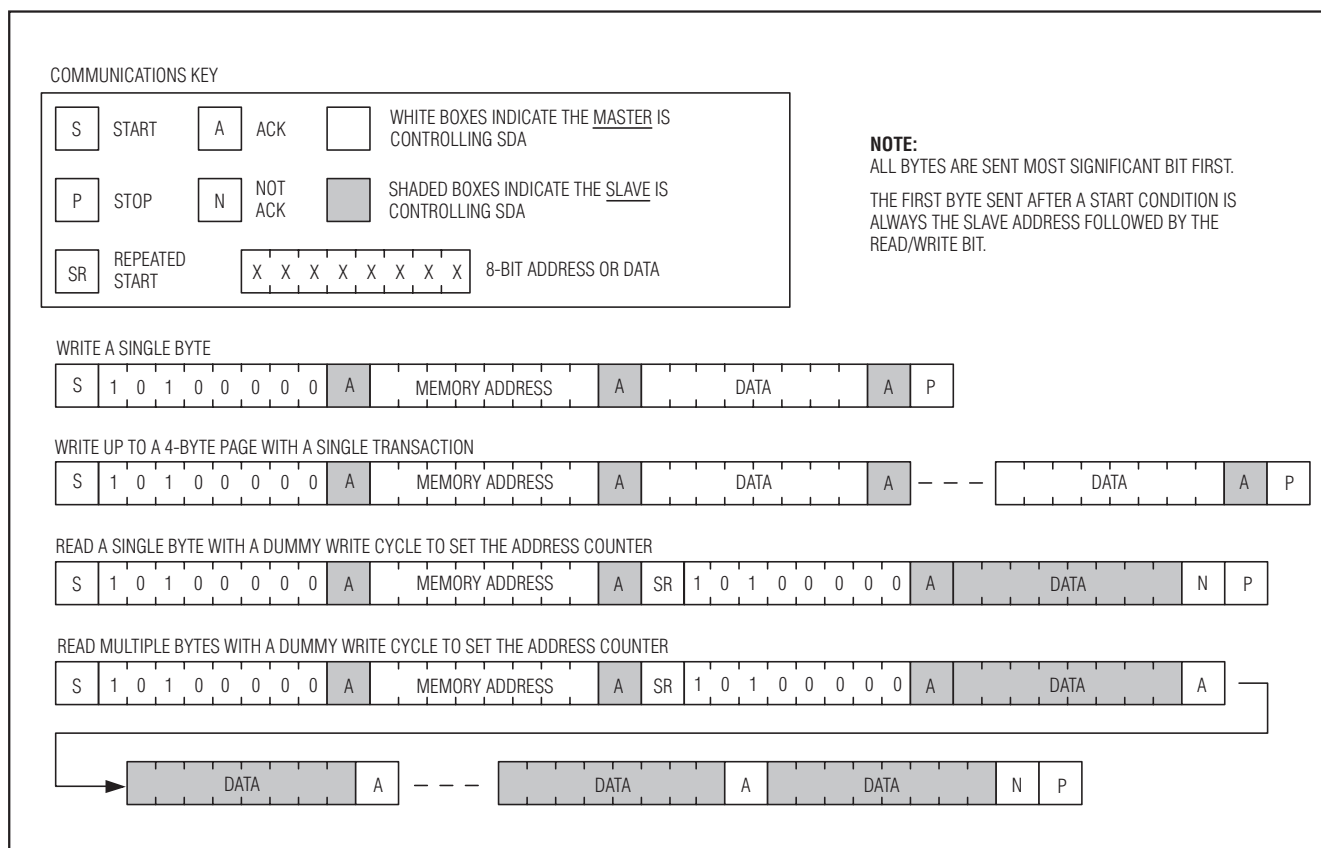


图15. I²C通信举例

带数据包校验的I²C通信

带数据包校验的读操作

DS1862支持读操作期间的数据包校验功能。DS1862的信息传输格式与传统的I²C协议大体类似，不同的是，额外增加了CRC校验区，并对其进行验证。依然从发送器件地址(DS1862为A0h)开始，然后，索引指针指向目标存储器地址。接下来传输的是想要读取的字节数。作为第二个传输字节，CRC-8计算包括并需要起始存储器地址的立即数(写字节空操作)。随后，从机返回数据以应答主机。使用PEC时，一次传输只能连续读取1至128个字节。主机读取所需要的字节后，DS1862发送CRC-8。主机发送

NACK和STOP信号结束通信，见图16示意图。从存储器地址指针的MSB开始，根据读取的字节数以及读取的数据计算CRC-8。主机对CRC-8进行验证，如果与所接收的CRC数值不一致，主机将放弃读取的数据。用下列多项式计算读、写操作的CRC-8：

$$C(x) = X^8 + X^2 + X + 1$$

具有数据包校验功能的写操作

DS1862还支持写操作期间的数据包校验。对DS1862的写操作与传统的I²C协议类似，不同的是，额外增加了CRC字段和校验。主机仍然从发送器件地址开始，地址索引指针指向目标存储器，随后是要写入的字节数。作为第

XFP激光器控制和数字诊断IC

二个传输字节，CRC-8计算包括并需要起始存储器地址的立即数。随后，主机传输数据以应答DS1862。使用PEC时，一次传输只能连续写入4个字节。在主机写完所需字节后，应传输CRC-8。CRC-8字节之后，主机应传输CAB字节(CRC附加字节)。此时，如果该CRC-8与DS1862内部计算的数值一致，则DS1862发送ACK信号，否则发送NACK信号。最后，主机结束通信，并发送一个STOP信号。示意图如图16所示。根据存储器地址指针的MSB、写入字节个数以及所写的数据计算CRC-8。然后，主机轮询最后ACK信号或NACK信号，实现写数据的成功传输。

有关I²C PEC通信的更多信息请参考XFP和/或SMBus 2.0标准。

应用信息

校准APC和消光比

校准之前，APC寄存器的数值应设置得低一些，确保激光器的功率电平在校准前不会超过其最大功率。此外，ER应设置为最小值，确保数据测试模板不会导致激光器关断。APC寄存器和ER寄存器置为最小值后，使能数据模板并校准平均功率。

平均功率校准

通过激光二极管发送数据时，不断增加APC寄存器的数值，直到光输出信号达到所要求的平均功率。平均功率电平是‘1’和‘0’功率电平的算术平均。

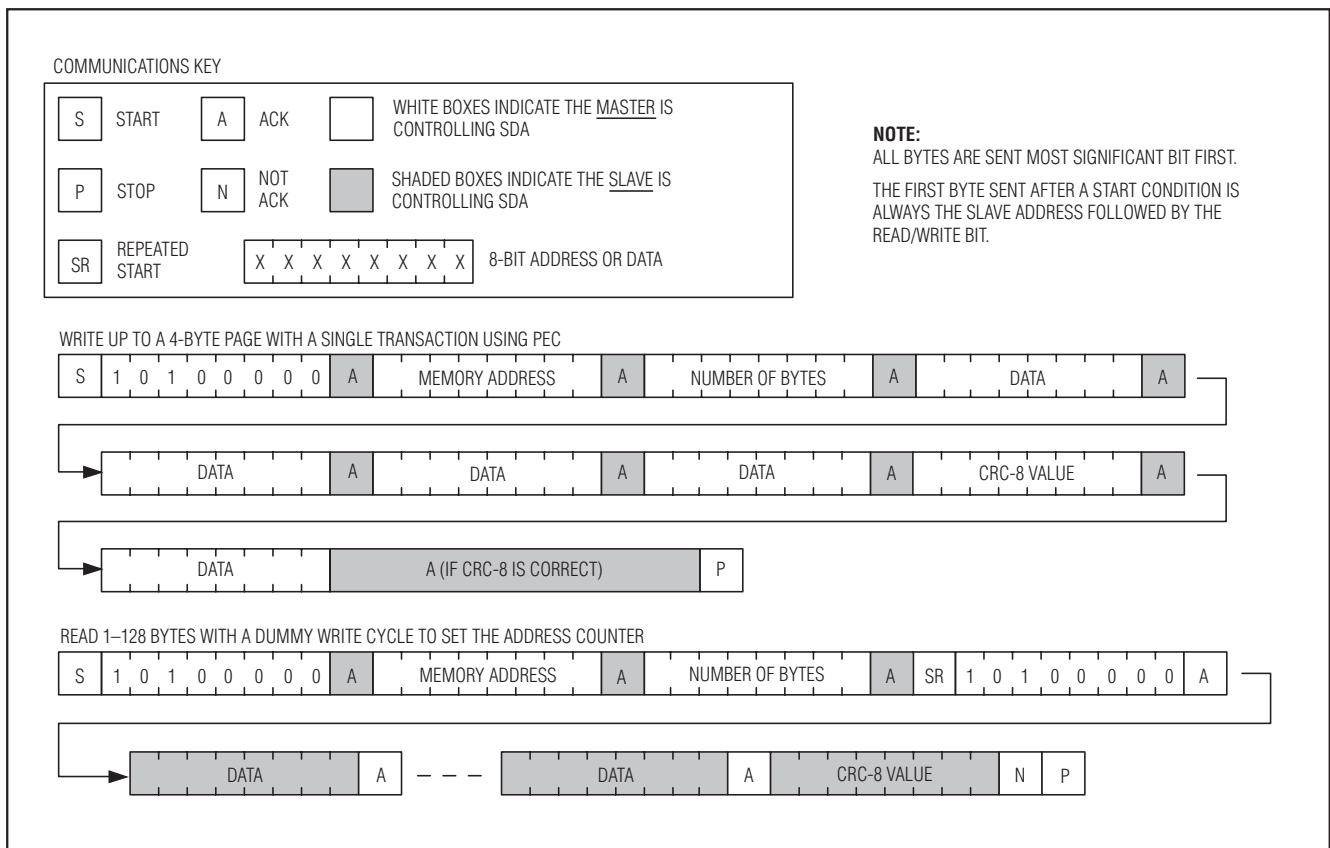


图16. I²C PEC通信举例

XFP激光器控制和数字诊断IC

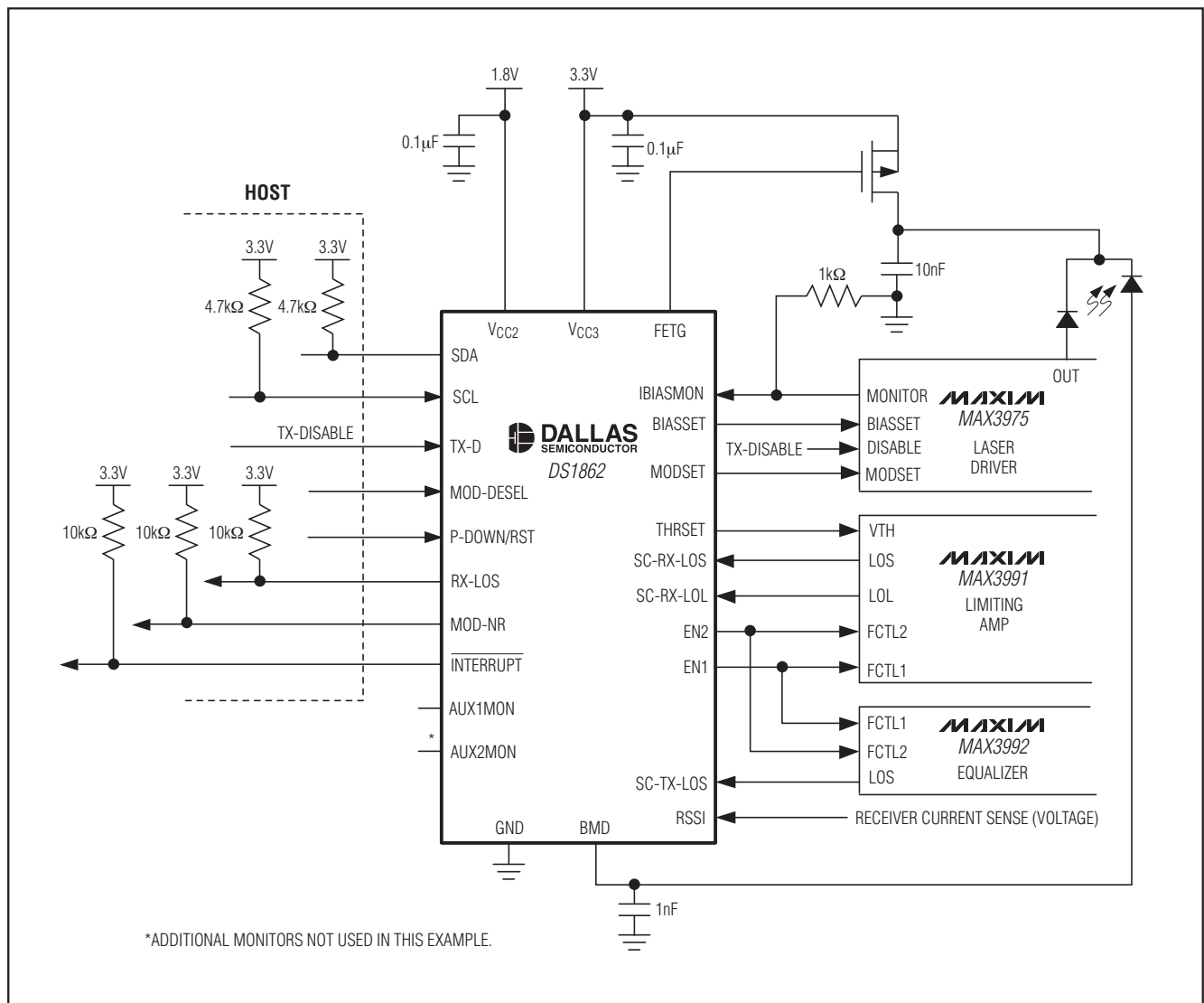
电源去耦

为了达到最佳效果，建议在该器件的电源电压引脚上接一只0.01 μ F或0.1 μ F的去耦电容。选用高质量的表贴陶瓷电容，并尽可能靠近V_{CC2}/V_{CC3}和GND引脚安装，以降低引线电感。

SDA和SCL上拉电阻

SDA是DS1862的集电极开路输出的双向数据引脚，需要一个上拉电阻获得逻辑高电平。SCL输入可以接到带上拉电阻的集电极开路输出或推挽输出的驱动器。选取的上拉电阻应保证符合I²C AC Electrical Characteristics中规定的上升时间和下降时间。

典型工作电路



XFP 激光器控制和数字诊断 IC

芯片信息

TRANSISTOR COUNT: 75,457
SUBSTRATE CONNECTED TO GROUND

封装信息

如需最近的封装外形信息和焊盘布局，请查询
www.maxim-ic.com.cn/packages。

封装类型	封装编码	文档编号
25 CSBGA	X25-1	21-0361

XFP激光器控制和数字诊断IC

修订历史

DS1862

修订次数	修订日期	说明	修改页
0	2/06	最初版本。	—
1	12/07	<p>删除关于I²C的声明。</p> <p>将表04h中B8h字节的密码电平控制由<4>改为<7>。</p> <p>对01h字节中SRAM说明部分的语法进行了修正：将“Byte DDh”后的“bits”改为“bit”。</p> <p>明确了DDh使能位的功能，在6Eh的第3位后添加了如下说明：“可通过表01h、字节DDh中的第5位屏蔽。”</p> <p>明确了DDh使能位的功能，在6Eh的第6位后添加了如下说明：“可通过表01h、字节DDh中的第6位屏蔽。”</p> <p>明确了Host PW Change和PWE说明部分的读功能，在这两部分说明后均添加了如下说明：“对该区域的读操作，其结果为<FFh>。”</p> <p>修正并明确了模块加密值，并将原先的说明修改为：<R-never/W-Module><Shadowed Nonvolatile><00h> DS1862用此32位区域比较PWE，判断是否允许对模块加密区域进行访问。对该区域的读操作，其结果为<FFh>。</p> <p>增加封装信息表。</p>	1, 29–31, 35, 42

Maxim北京办事处

北京 8328信箱 邮政编码 100083

免费电话：800 810 0310

电话：010-6211 5199

传真：010-6211 5299

Maxim不对Maxim产品以外的任何电路使用负责，也不提供其专利许可。Maxim保留在任何时间、没有任何通报的前提下修改产品资料和规格的权利。

Maxim Integrated Products, 120 San Gabriel Drive, Sunnyvale, CA 94086 408-737-7600 _____ **43**

© 2007 Maxim Integrated Products

Maxim是Maxim Integrated Products, Inc.的注册商标。

 是Dallas Semiconductor Corporation的注册商标。