

AD5383	32 通道、12 位、3 V/5 V 单电源 DAC
ADR421	低噪声、2.500 V XFET®基准电压源
ADR431	超低噪声 XFET 基准电压源

利用 AD5383 DAC 实现 32 通道可编程电压以及出色的温度漂移性能

电路功能与优势

本电路为多通道 DAC 配置, 具有出色的温度漂移性能。它提供 32 个独立电压通道, 分辨率为 12 位, 温度稳定性典型值低于 3 ppm/°C。

电路描述

图 1 显示采用外部基准电压源的 AD5383 典型配置。在所示电路中, 所有 AGND、SIGNAL_GND 和 DAC_GND 引脚均连在一起, 并与一个公共 AGND 引脚相连。在 AD5383 器件上, AGND 与 DGND 连在一起。上电时, AD5383 默认采用外部基准电压源工作。

此设计使用两个独立的 5.0 V 电源, 一个电源为基准电压源和 AD5383 的模拟部分(AVDD)供电, 另一个电源为 AD5383 的数字部分(DVDD)供电。为获得最佳性能, 务必使用线性稳压器驱动电路的模拟部分。如果用开关稳压器驱动数字部分, 应注意将 DVDD 电源引脚上的开关噪声降至最低。可能还需要利用串联的铁氧体磁珠进行额外去耦。AD5383 数字(DVDD)电源可以采用 3 V 或 5 V 电源, 与数字元件接口时, 这种电源可以带来极大的灵活性。如果电源从线性稳压器获得, 则两个电源引脚可连在一起, 并连至共同的 5 V 电源。有关电源设计的指导信息, 请参考 [ADIsimPower™](#) 设计工具。

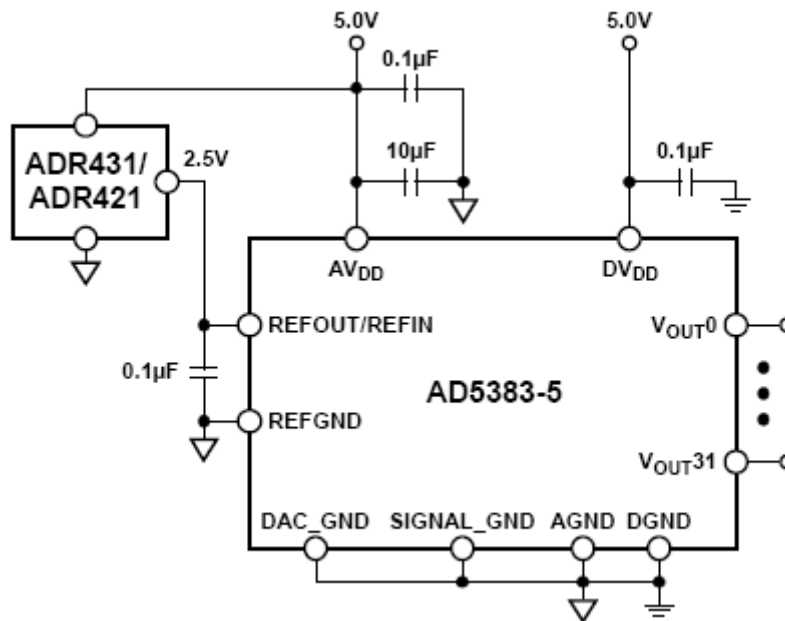


图 1. 采用外部基准电压源的 AD5383 典型配置 (原理示意图)

Rev.A

“Circuits from the Lab” from Analog Devices have been designed and built by Analog Devices engineers. Standard engineering practices have been employed in the design and construction of each circuit, and their function and performance have been tested and verified in a lab environment at room temperature. However, you are solely responsible for testing the circuit and determining its suitability and applicability for your use and application. Accordingly, in no event shall Analog Devices be liable for direct, indirect, special, incidental, consequential or punitive damages due to any cause whatsoever connected to the use of any “Circuit from the Lab”. (Continued on last page)

建议使用 0.1 μF 陶瓷电容和 10 μF 钽电容，对靠近器件的电源去耦。本电路中，AD5383 的基准电压从 2.5 V 外部基准电压源 ADR421 或 ADR431 获得。ADR431 具有较低的输出电压噪声，适合特别注重这一特性的应用。应使用 0.1 μF 电容在器件的 REFOUT/REFIN 引脚对基准电压源去耦。

常见变化

该电路的一种变化形式是 AD5383-3 采用 1.2 V 基准电压源 ADR280，所有其它连接和元件均与以上所述相同。

进一步阅读

[ADIsimPower Design Tool](#).

Kester, Walt. 2005. *The Data Conversion Handbook*. Analog Devices. Chapters 3 and 7.

MT-015 Tutorial, *Basic DAC Architectures II: Binary DACs*. Analog Devices.

MT-031 Tutorial, *Grounding Data Converters and Solving the Mystery of AGND and DGND*. Analog Devices.

MT-101 Tutorial, *Decoupling Techniques*. Analog Devices.

Voltage Reference Wizard Design Tool.

数据手册和评估板

[AD5383 Data Sheet](#).

[AD5383 Evaluation Board](#).

[ADR421 Data Sheet](#).

[ADR431 Data Sheet](#).

修订历史

5/09—Rev. 0 to Rev. A

Updated Format Universal

10/08—Revision 0: Initial Version

(Continued from first page) "Circuits from the Lab" are intended only for use with Analog Devices products and are the intellectual property of Analog Devices or its licensors. While you may use the "Circuits from the Lab" in the design of your product, no other license is granted by implication or otherwise under any patents or other intellectual property by application or use of the "Circuits from the Lab". Information furnished by Analog Devices is believed to be accurate and reliable. However, "Circuits from the Lab" are supplied "as is" and without warranties of any kind, express, implied, or statutory including, but not limited to, any implied warranty of merchantability, noninfringement or fitness for a particular purpose and no responsibility is assumed by Analog Devices for their use, nor for any infringements of patents or other rights of third parties that may result from their use. Analog Devices reserves the right to change any "Circuits from the Lab" at any time without notice, but is under no obligation to do so. Trademarks and registered trademarks are the property of their respective owners.