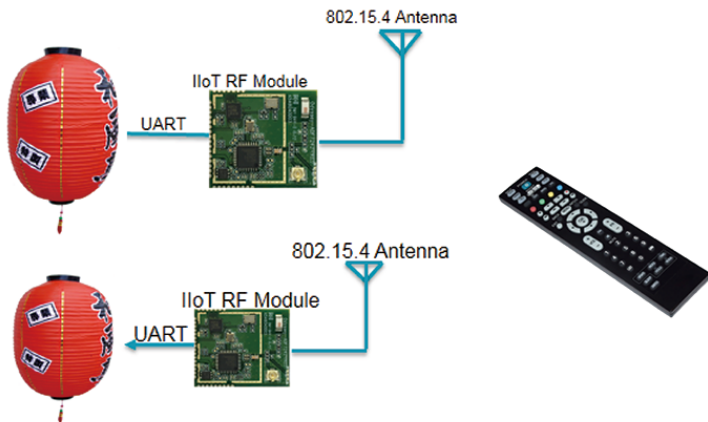


## Industrial Lighting: LED lighting w/ IIoT Module



### Application

- Area on/off & Dimming controller
- Support 8 area control, a district support 256 lamps



### Solve the design challenge

- ADI RF Module Reference Design
- Discuss the soft / hardware design architecture with the proposed reference design circuit diagram
- Demo Board validation
- Long transmission distance
- Reduce the number of switches
- Reduce cable requirements
- Reduce labor costs
- **Reduce system costs.**

