

General Description

The MAX20011 is a family of high-efficiency, synchronous step-down converters that operate with a 3.0V to 5.5V input voltage range and supply a 0.5V to 1.275V output voltage range. The wide input/output voltage range and the ability to provide up to 12A peak output current make this device family ideal for on-board point-of-load and post-regulation applications. The MAX20011 achieves $\pm 1.5\%$ output error over load, line, and temperature ranges.

The MAX20011 features a 2.2MHz fixed-frequency PWM mode for better noise immunity and load-transient response. The 2.2MHz frequency operation allows for the use of all ceramic capacitors and minimizes external components. The spread-spectrum frequency modulation option minimizes radiated electromagnetic emissions. Integrated low $R_{DS(ON)}$ switches improve efficiency at heavy loads and make layout simpler than discrete solutions.

The MAX20011 is offered with factory-preset output voltage. See the [Ordering Information](#) table for options. The I²C interface supports dynamic voltage adjustment with programmable slew rates. Other features include programmable soft-start, overcurrent, and overtemperature protections.

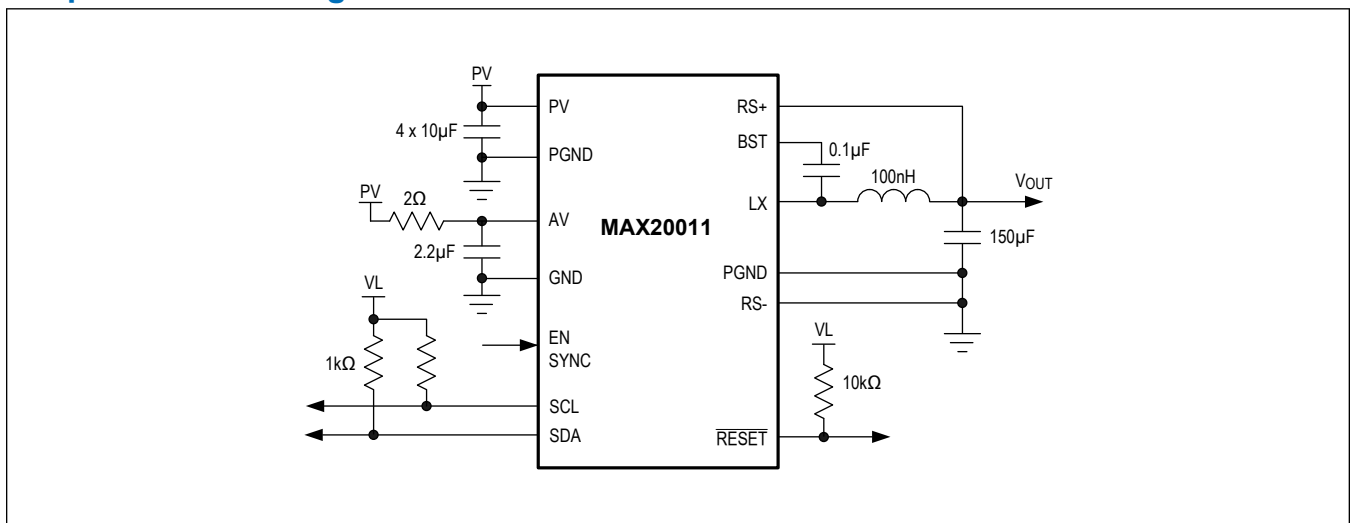
Applications

- Automotive ADAS Systems
- SoC Core Power

Benefits and Features

- High-Efficiency DC-DC Converter
- Up to 12A Peak Output Current
 - MAX20011A: 8A
 - MAX20011B: 12A
- Differential Remote Voltage Sensing
- 3.0V to 5.5V Operating Supply Voltage
- I²C-Controlled Output Voltage: 0.5V to 1.275V in 6.25mV Steps
- Excellent Load-Transient Performance
- Programmable Compensation
- 2.2MHz or 1.1MHz Operation
- $\pm 1.5\%$ Output-Voltage Accuracy
- RESET Output
- Current-Mode, Forced-PWM Operation
- ASIL C Compliant
 - Redundant Reference
 - BIST Diagnostics
 - PEC on I²C
 - Programmable OV/UV with $\pm 1\%$ Accuracy
- Overtemperature and Short-Circuit Protection
- 3.5mm x 3.75mm, 17-Pin Side-Wettable FC2QFN
- -40°C to +125°C Grade 1 Automotive Temperature Range

Simplified Block Diagram



Visit [Web Support](#) to complete the nondisclosure agreement (NDA) required to receive additional product information.

[Ordering Information](#) appears at end of data sheet.

19-100515; Rev 10; 12/24

© 2024 Analog Devices, Inc. All rights reserved. Trademarks and registered trademarks are the property of their respective owners.

One Analog Way, Wilmington, MA 01887 U.S.A. | Tel: 781.329.4700 | © 2024 Analog Devices, Inc. All rights reserved.

