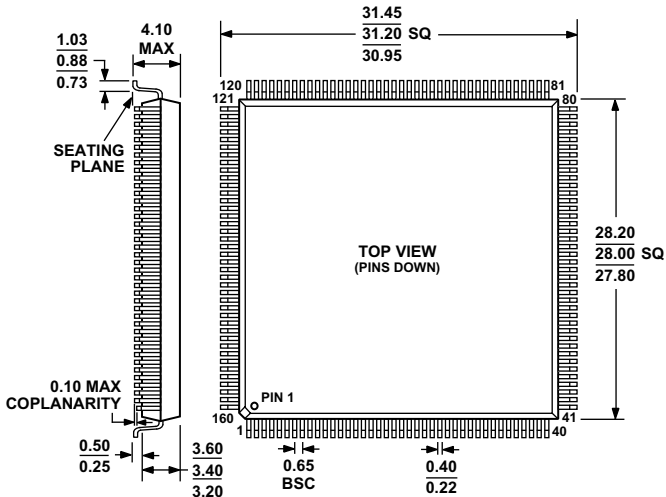


**160-Lead Metric Quad Flat Package [MQFP]  
(S-160)**

Dimensions shown in millimeters



COMPLIANT TO JEDEC STANDARDS MS-022DD-1