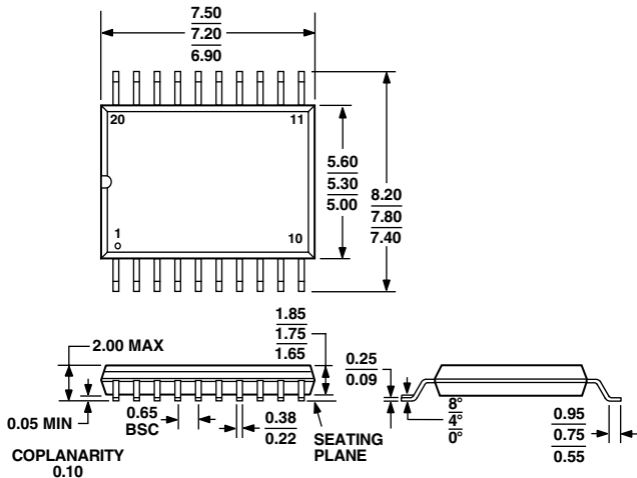


## 20-Lead Shrink Small Outline Package [SSOP] (RS-20)

Dimensions shown in millimeters



COMPLIANT TO JEDEC STANDARDS MO-150AE