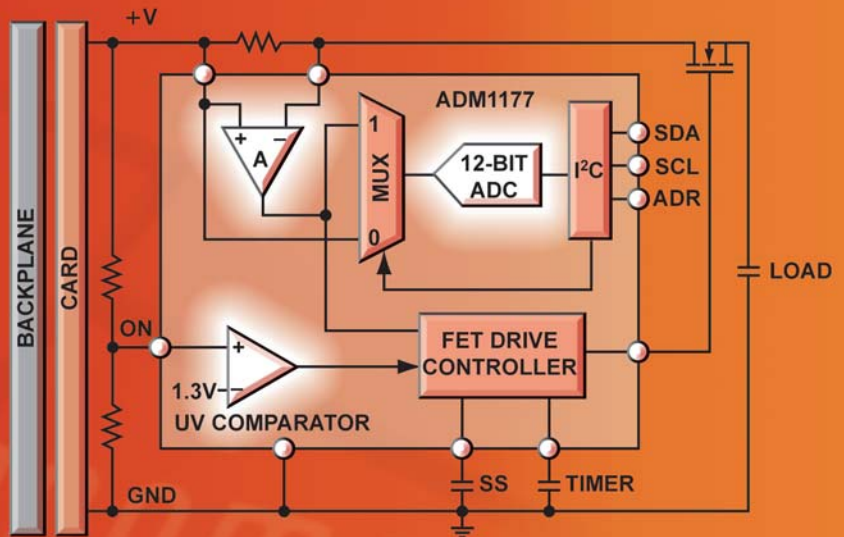


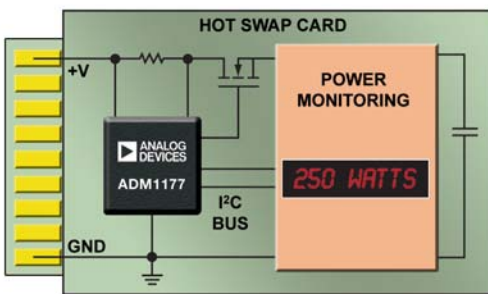
Look what 40 years of analog leadership does for power management ICs.

Hot Swap controllers with integrated power monitors

Integrated 12-bit ADC and accurate current sense amplifier deliver the industry's most accurate and smallest solution.



Hot Swap ICs with precision ADC deliver greater accuracy for improved energy savings.



Industry's most accurate Hot Swap and power monitor ICs provide accurate data on power consumption, enabling better control and conservation of energy.

Let us show you how we're applying more than four decades of analog expertise to power management and delivering industry-best solutions that differentiate your designs and add value for your customers. Case in point: we've integrated industry-leading converter and amplifier cores with Hot Swap controllers to provide unmatched $\pm 3\%$ power monitoring accuracy, allowing you to offer your customers increased energy savings opportunities for data center applications.

Put our analog leadership to work with your power designs. Contact ADI's power technical support at power.management@analog.com.

Part Number	Hot Swap Range (V)	Integrated Power Monitoring	Features	Package	Price @ 1k (\$U.S.)
ADM1175	3.15 to 16.5	Yes	Manual convert pin	10-lead MSOP	2.50
ADM1176	3.15 to 16.5	Yes	16 I ² C addresses	10-lead MSOP	2.50
ADM1177	3.15 to 16.5	Yes	Dedicated SOFT START pin	10-lead MSOP	2.50
ADM1178	3.15 to 16.5	Yes	Overcurrent ALERT pin	10-lead MSOP	2.70
ADM1170	1.6 to 16.5	No	Separate VCC pin	8-lead TSOT	2.10
ADM1171	2.7 to 16.5	No	Current sense output	8-lead TSOT	2.20
ADM1172	2.7 to 16.5	No	Power fail comparator	8-lead TSOT	2.00