

FIRECRACKER with CM-BF527

Development and Reference Design Platform



The FireCracker Development and Reference Design Platform for Audio/Video and Communications Applications is based on Analog Devices' powerful Blackfin processor and is designed with industry standard interfaces and peripherals. These streamline the development process by providing fully verified functional modules that eliminate the need to perform detailed design of common embedded sub-systems. With FireCracker, SILICA provides a unique concept of a Hybrid between a Development Board and a Reference Design:

FireCracker uses compact and reusable Core Modules from Bluetechnix, which contain the Blackfin processor from Analog Devices, the external SDRAM and Flash memory and the power management function, on a small 31 x 36 mm module that connects to the FireCracker base board through two 60-pin connectors. The Core Modules are available from Bluetechnix with a number of different Blackfin processor models and memory configurations.

The CM-BF527 module provides a rich set of peripherals at low power consumption (90 nm chip technology) and low cost. The CM-BF527 supports an on-board Ethernet 10/100 Mbit function incl. physical transceiver as well as USB-OTG function and other standard microcontroller interfaces. The module allows easy integration into high performance and very space and power limited applications.

With FireCracker, SILICA is enabling its customers to rapidly evaluate and design systems using the embedded architecture that handles the most complex media-rich tasks with ease, and is equally adept at communications and control.

The Kit contains the FireCracker Evaluation Board with a CM-BF527 Core Module. For evaluation purposes evaluation software is pre-flashed at the Core Module. Different demonstration applications can be chosen. Reprogramming of software updates either for the Core Module or the FPGA is possible.

KIT CONTENT

- FireCracker Baseboard
- Bluetechnix Blackfin Core Module
- Complete cable set
- Power supply
- Debug Agent (optional)
- Documentation

SUPPORTING SUPPLIERS



FIRECRACKER with CM-BF527

Development and Reference Design Platform

FIRECRACKER BASEBOARD FEATURES

- ADSP-BF527 based Core Module from Bluetechnix, supporting 10/100 Mbit Ethernet and USB OTG
- On-board Xilinx XC3S1000 FPGA and associated SRAM and Flash
- Connector for connectBlue wireless LAN module
- 2 MPixel CMOS camera
- 3.5" TFT display, 320 x 240 pixels
- Connectors for analog Audio in and out (using ADI AD1938)
- Connectors for Composite Video in and out (using ADI ADV7183 and ADV7391)
- Zigbee enabled wireless interface (using Freescale MC13213R2)
- USB to UART bridge, USB OTG, SD Card Socket
- Optional Blackfin Debug Agent

CM-BF527 FEATURES

- CPU: Analog Devices® ADSP-BF527 Blackfin processor
- 600 MHz clock
- 32 MB SDRAM up to 133 MHz, 8 MB Flash
- Ethernet 10/100 MBit
- 1 PPI 16-bit, 1 SPI, 1 TWI/I²C, 2 UART, 2 SSP, USB OTG
- Dimensions: only 31 x 36 mm
- Single 3.3 V supply voltage, on-board core voltage regulator, low voltage reset circuit
- NAND Flash Interface
- 2 x 60 pin 0.6 mm pitch connector
- RoHs compliant

www.silica.com/firecracker

www.bluetechnix.com/goto/cm-bf527

AVAILABLE OPTIONS

FireCracker BF527

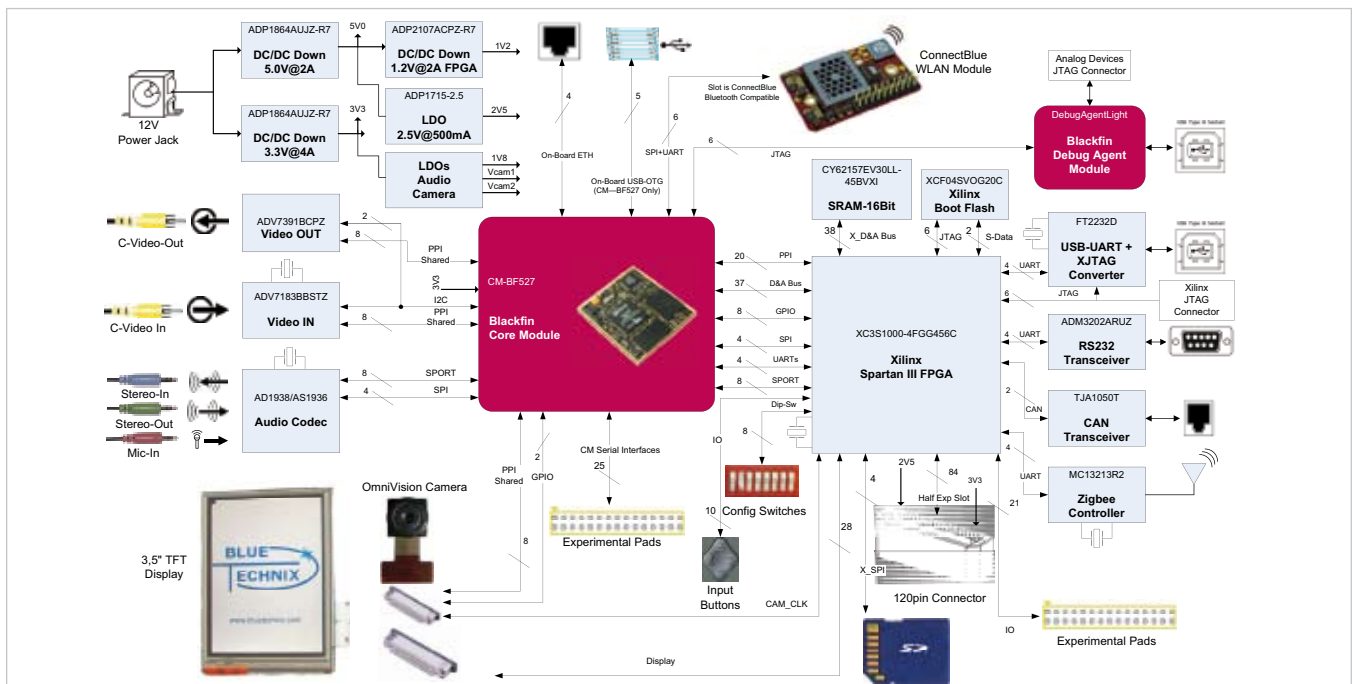
FireCracker Baseboard with CM-BF527

€ 499.-

FireCracker BF527-DA

FireCracker Baseboard with CM-BF527 and Debug Agent

€ 679.-



All trademarks and logos are the property of their respective owners. This document provides a brief overview only, no binding offers are intended. Avnet disclaims all representations, warranties and liabilities under any theory with respect to the product information, including any implied warranties of merchantability, fitness for a particular purpose, title and/or non-infringement, specifications, use, legal compliance or other requirements. Product information is obtained by Avnet from its suppliers or other sources deemed reliable and is provided by Avnet on an "AS IS" basis. No guarantee as to the accuracy or completeness of any information. All information is subject to change, modifications and amendments without notice.