

DESCRIPTION

Lab board 013B is a simple to use R-C network designed to assist the task of optimizing the loop compensation of Linear Technology devices. It features 16 paralleled capacitor values ranging from 47pF to 0.1 μ F and 3 series potentiometers of 5k, 50k, and 1M Ω values to enable tuning virtually any resistance on the 5% or 1% tolerance chart. Additionally, the board is compact enough to fit close to any demo board and be attached to the signal ground plane, thereby minimizing the noise introduced and improving the overall S/N ratio of the measurement setup. The board has nearly 100% copper flood coverage to offer as much shielding as possible from possible noise

sources. To use the board in most setups, use leads as short as possible from the V_C or Comp nodes and SGND plane to the test posts labeled R and C, twisting the pair as much as the length permits. If it is possible, use bus wire to fix the boards GND test post to the SGND plane to offer mechanical strain relief and prevent the leads from tearing away from the compensation node landing pads. In most cases tweezers, x-acto blade tips or mechanical pencil tips must be used to manipulate the tiny dip-switches for capacitance selection.

LT, LT, LTC, LTM, Linear Technology and the Linear logo are registered trademarks of Linear Technology Corporation. All other trademarks are the property of their respective owners.

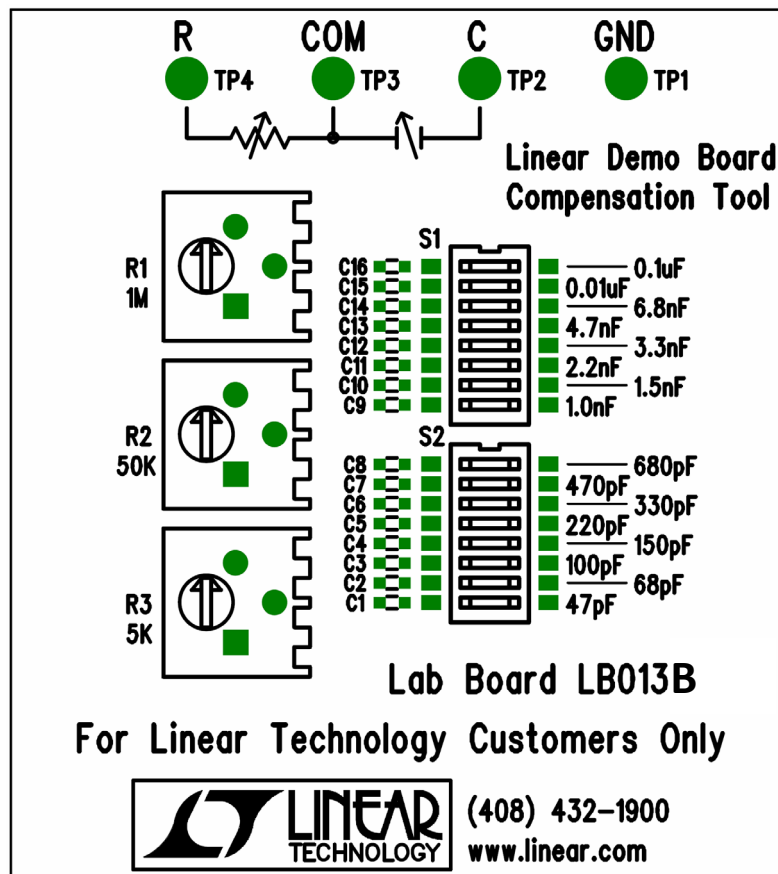
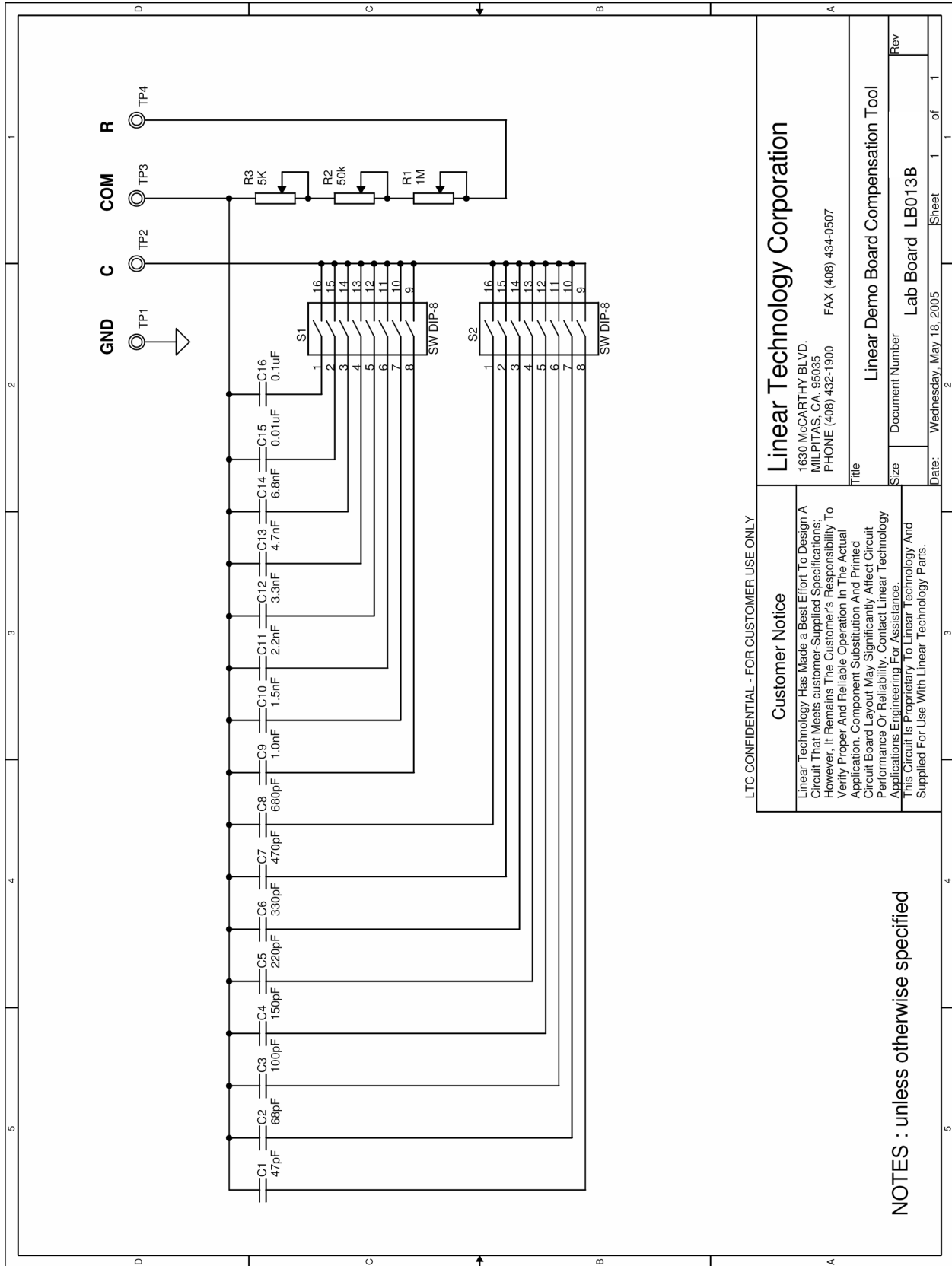


Figure 1.

LAB BOARD 013B

SCHEMATIC DIAGRAM



LTC CONFIDENTIAL - FOR CUSTOMER USE ONLY

Customer Notice
 Linear Technology Has Made a Best Effort To Design A Circuit That Meets customer-Supplied Specifications. However, It Remains The Customer's Responsibility To Verify Proper And Reliable Operation In The Actual Application. Component Substitution And Printed Circuit Board Layout May Significantly Affect Circuit Performance Or Reliability. Contact Linear Technology Applications Engineering For Assistance.
 This Circuit is Proprietary To Linear Technology And Supplied For Use With Linear Technology Parts.

Linear Technology Corporation	
1630 McCARTHY BLVD. MILPITAS, CA. 95035 PHONE (408) 432-1900 FAX (408) 434-0507	
Title Linear Demo Board Compensation Tool	
Size	Document Number
Date: Wednesday, May 18, 2005	Lab Board LB013B
Sheet 1	of 1

NOTES : unless otherwise specified