

## Evaluation Board for the AD7280A Lithium Ion Battery Monitoring System

### FEATURES

- Full-featured evaluation board for the AD7280A
- EVAL-CED1Z compatible
- Standalone capability
- Various linking options
- Daisy chain capability
- PC software for control and data analysis when used with the EVAL-CED1Z

### GENERAL DESCRIPTION

This user guide describes the evaluation board kit for the [AD7280A](#) (EVAL-AD7280AEDZ), which is a complete, 12-bit resolution lithium ion battery monitoring system, integrating multiple voltage and temperature input channels. Full details about the part are available in the AD7280A data sheet from Analog Devices, Inc., which should be consulted in conjunction with this user guide when using the evaluation board.

On-board components include the [ADG3308](#) and [ADG3301](#) bidirectional logic level translators, the [ADG849](#) switch and the [ADuM1201](#), and the [ADuM5401](#) digital isolators.

Various link options and options for external connectors are explained in Table 1, Table 5, and Table 6.

### FUNCTIONAL BLOCK DIAGRAM

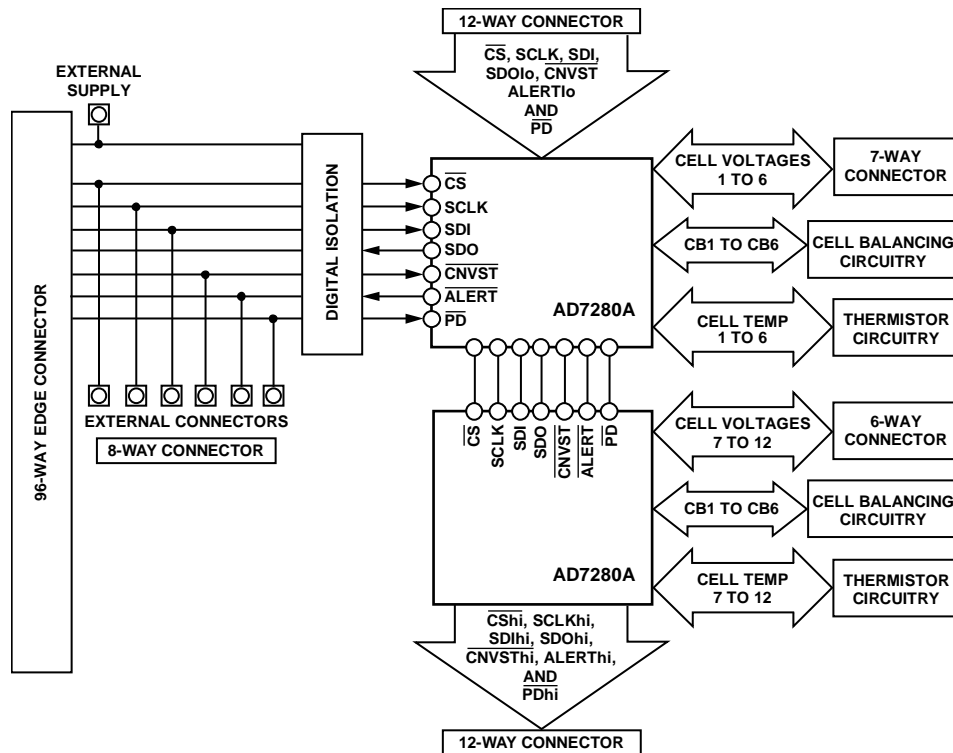


Figure 1.

09706-001

















































