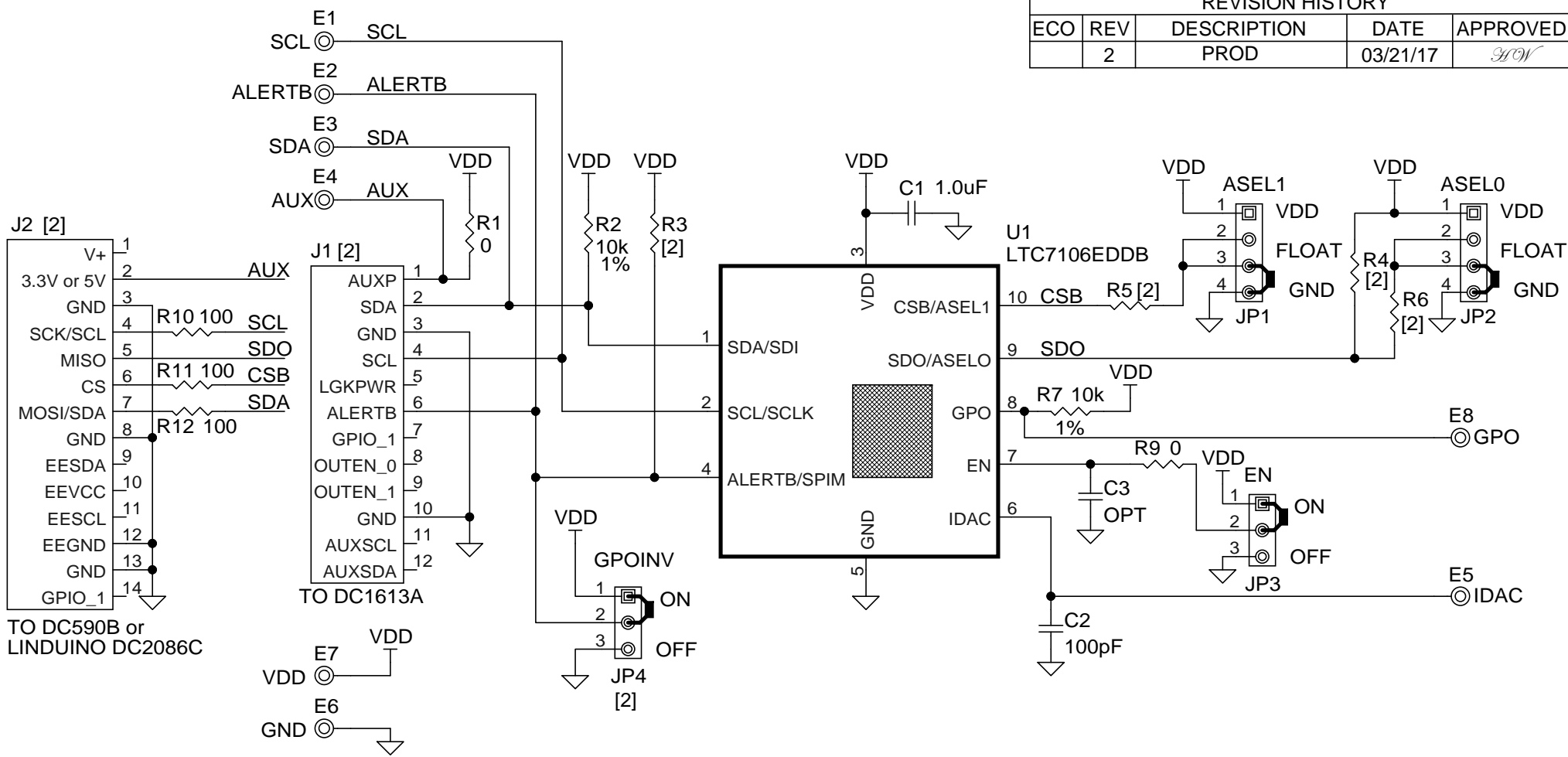



REVISION HISTORY				
ECO	REV	DESCRIPTION	DATE	APPROVED
	2	PROD	03/21/17	<i>grw</i>



NOTE: UNLESS OTHERWISE SPECIFIED
 1. ALL RESISTORS AND CAPACITORS ARE 0603

[2]	VERSION	IC (U1)	R3	R4	R5	R6	HEADER	HEADER
	-A	LTC7106EDDB	10K	OPT	0	0	J1	OPT
	-B	LTC7106EDDB-1	OPT	698	OPT	OPT	J2	JP4

CUSTOMER NOTICE		APPROVALS		 1630 McCarthy Blvd. Milpitas, CA 95035 Phone: (408)432-1900 www.linear.com Fax: (408)434-0507 LTC Confidential-For Customer Use Only
LINEAR TECHNOLOGY HAS MADE A BEST EFFORT TO DESIGN A CIRCUIT THAT MEETS CUSTOMER-SUPPLIED SPECIFICATIONS; HOWEVER, IT REMAINS THE CUSTOMER'S RESPONSIBILITY TO VERIFY PROPER AND RELIABLE OPERATION IN THE ACTUAL APPLICATION. COMPONENT SUBSTITUTION AND PRINTED CIRCUIT BOARD LAYOUT MAY SIGNIFICANTLY AFFECT CIRCUIT PERFORMANCE OR RELIABILITY. CONTACT LINEAR TECHNOLOGY APPLICATIONS ENGINEERING FOR ASSISTANCE.		PCB DES.	<i>grw</i>	
THIS CIRCUIT IS PROPRIETARY TO LINEAR TECHNOLOGY AND SUPPLIED FOR USE WITH LINEAR TECHNOLOGY PARTS.		APP ENG.	<i>grw</i>	
		IC NO.	TITLE: DEMO CIRCUIT SCHEMATIC, 7-BIT CURRENT DAC WITH DIGITAL POWER SYSTEM MANAGEMENT	
		LTC7106EDDB(-A) LTC7106EDDB-1(-B)		
		SKU NO.	PCA BOM: 700-DC2620A_REV02	SCHMATIC NO. AND REVISION:
		DC2620A	PCA ASS'Y: 705-DC2620A_REV02	710-DC2620A_REV02
		SIZE: N/A SCALE = NONE	DATE: Thursday, September 28, 2017	
			SHEET 1 OF 1	