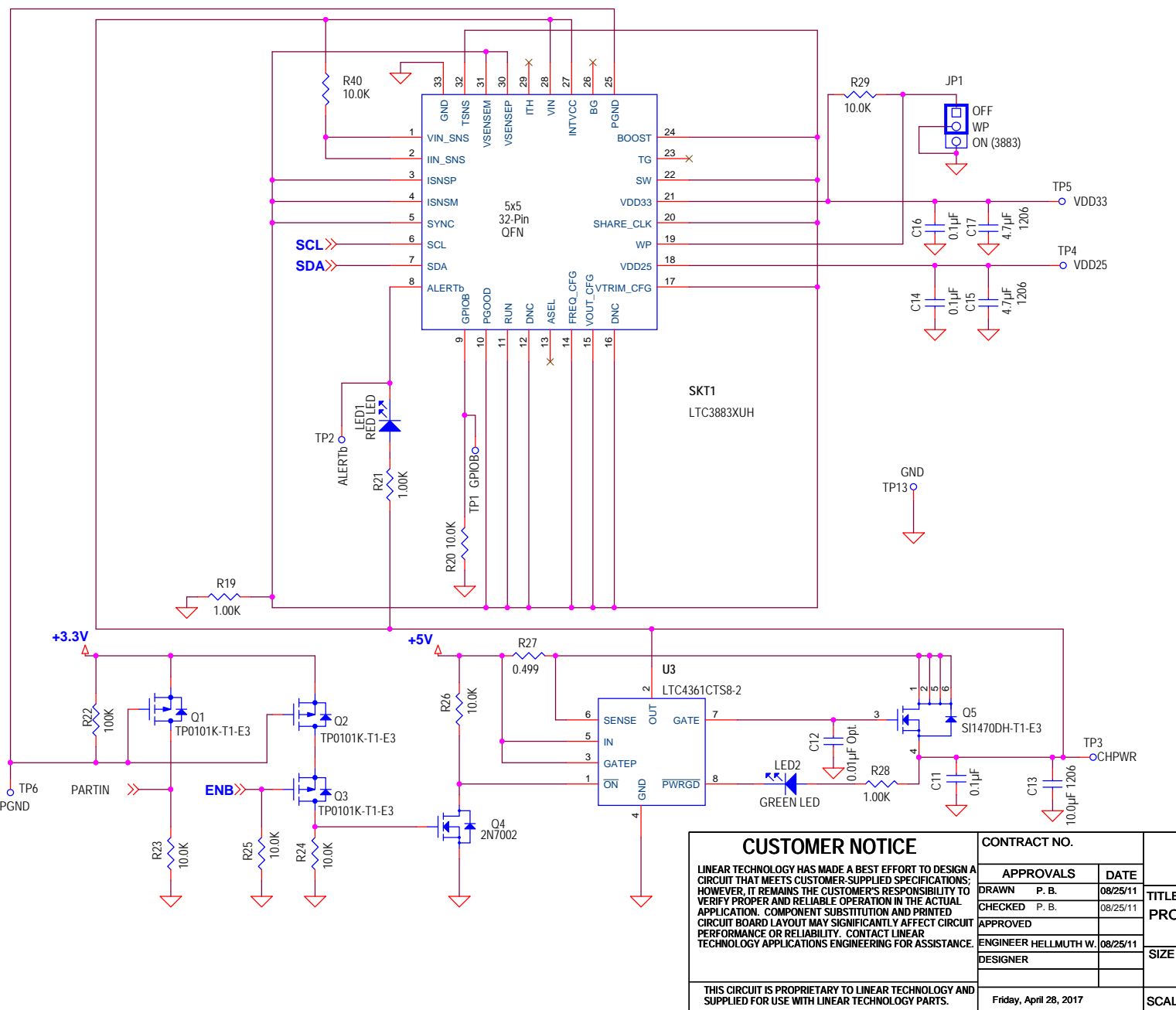



REVISION HISTORY				
ECO	REV	DESCRIPTION	APPROVED	DATE
-	A	1ST PROTOTYPE	HELLMUTH W.	08/25/11

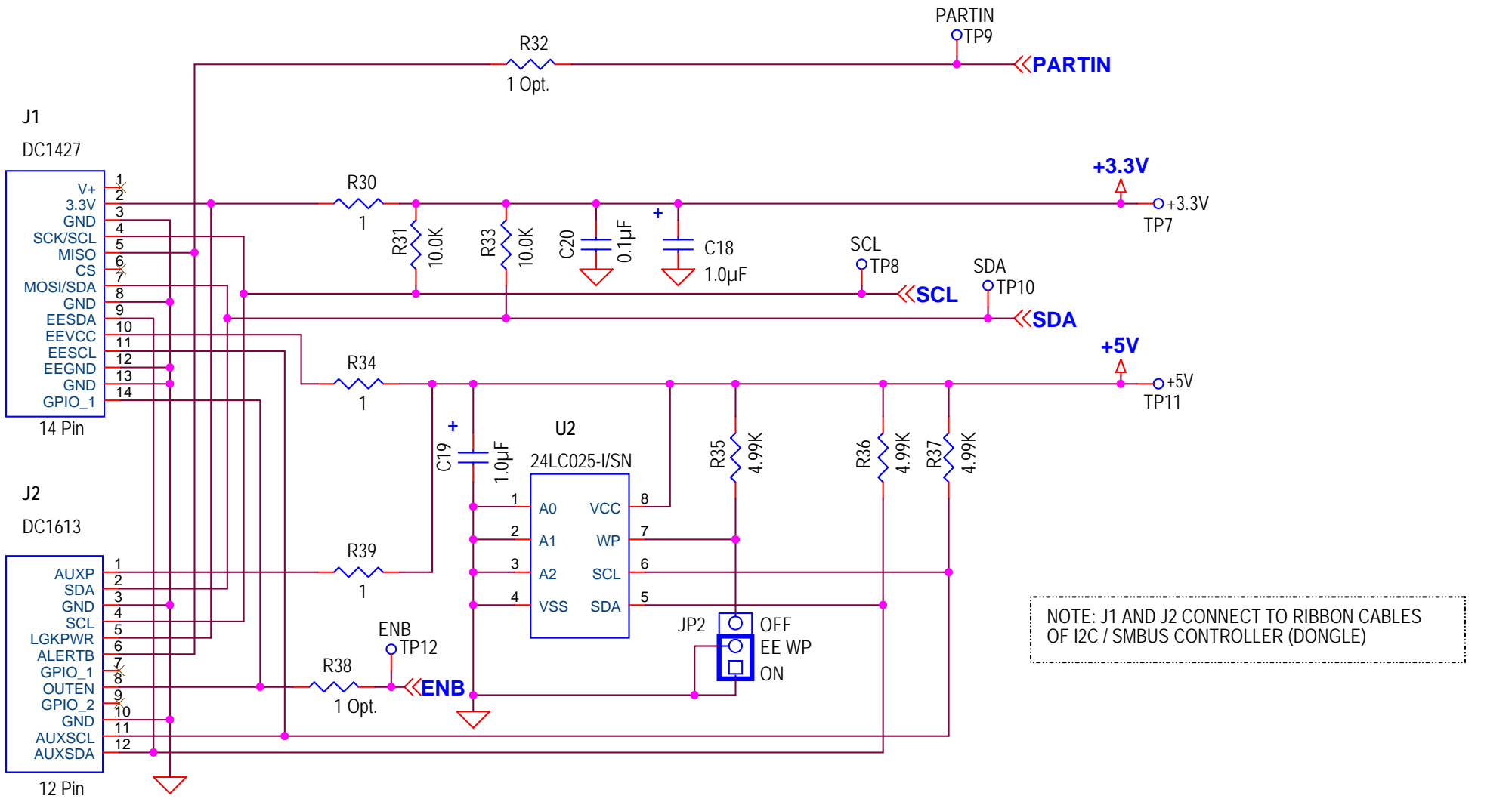


CUSTOMER NOTICE
 LINEAR TECHNOLOGY HAS MADE A BEST EFFORT TO DESIGN A CIRCUIT THAT MEETS CUSTOMER-SUPPLIED SPECIFICATIONS; HOWEVER, IT REMAINS THE CUSTOMER'S RESPONSIBILITY TO VERIFY PROPER AND RELIABLE OPERATION IN THE ACTUAL APPLICATION. COMPONENT SUBSTITUTION AND PRINTED CIRCUIT BOARD LAYOUT MAY SIGNIFICANTLY AFFECT CIRCUIT PERFORMANCE OR RELIABILITY. CONTACT LINEAR TECHNOLOGY APPLICATIONS ENGINEERING FOR ASSISTANCE.


THIS CIRCUIT IS PROPRIETARY TO LINEAR TECHNOLOGY AND SUPPLIED FOR USE WITH LINEAR TECHNOLOGY PARTS.

APPROVALS		DATE
DRAWN	P. B.	08/25/11
CHECKED	P. B.	08/25/11
APPROVED		
ENGINEER	HELLMUTH W.	08/25/11
DESIGNER		

		1630 McCarthy Blvd. Milpitas, CA 95035 Phone: (408)432-1900 Fax: (408)434-0507	
		TITLE PROGRAMMING BOARD FOR LTC3883XUH	
SIZE	CAGE CODE	DWG NO	REV
		DC1890A	A
SCALE:	FILENAME: DC1890A.DSN	SHEET	1 OF 2



NOTE: J1 AND J2 CONNECT TO RIBBON CABLES OF I2C / SMBUS CONTROLLER (DONGLE)

<p>CUSTOMER NOTICE</p> <p>LINEAR TECHNOLOGY HAS MADE A BEST EFFORT TO DESIGN A CIRCUIT THAT MEETS CUSTOMER-SUPPLIED SPECIFICATIONS; HOWEVER, IT REMAINS THE CUSTOMER'S RESPONSIBILITY TO VERIFY PROPER AND RELIABLE OPERATION IN THE ACTUAL APPLICATION. COMPONENT SUBSTITUTION AND PRINTED CIRCUIT BOARD LAYOUT MAY SIGNIFICANTLY AFFECT CIRCUIT PERFORMANCE OR RELIABILITY. CONTACT LINEAR TECHNOLOGY APPLICATIONS ENGINEERING FOR ASSISTANCE.</p> <p>THIS CIRCUIT IS PROPRIETARY TO LINEAR TECHNOLOGY AND SUPPLIED FOR USE WITH LINEAR TECHNOLOGY PARTS.</p>	CONTRACT NO.		 <p>1630 McCarthy Blvd. Milpitas, CA 95035 Phone: (408)432-1900 Fax: (408)434-0507</p>	
	APPROVALS	DATE		<p>TITLE</p> <p>PROGRAMMING BOARD FOR LTC3883XUH</p>
	DRAWN P. B.	08/25/11		
	CHECKED P. B.	08/25/11		
	APPROVED			
DESIGNER	ENGINEER HELLMUTH W.	08/25/11	<p>SIZE</p> <p>CAGE CODE</p> <p>DWG NO</p> <p>DC1890A</p>	<p>REV</p> <p>A</p>
Tuesday, October 03, 2017		SCALE: NONE	FILENAME: DC1890A.DSN	SHEET 2 OF 2