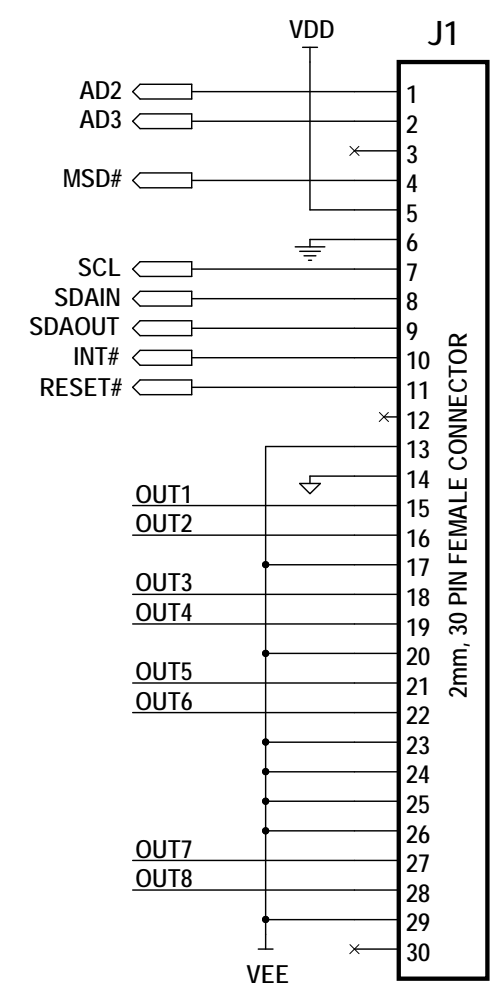
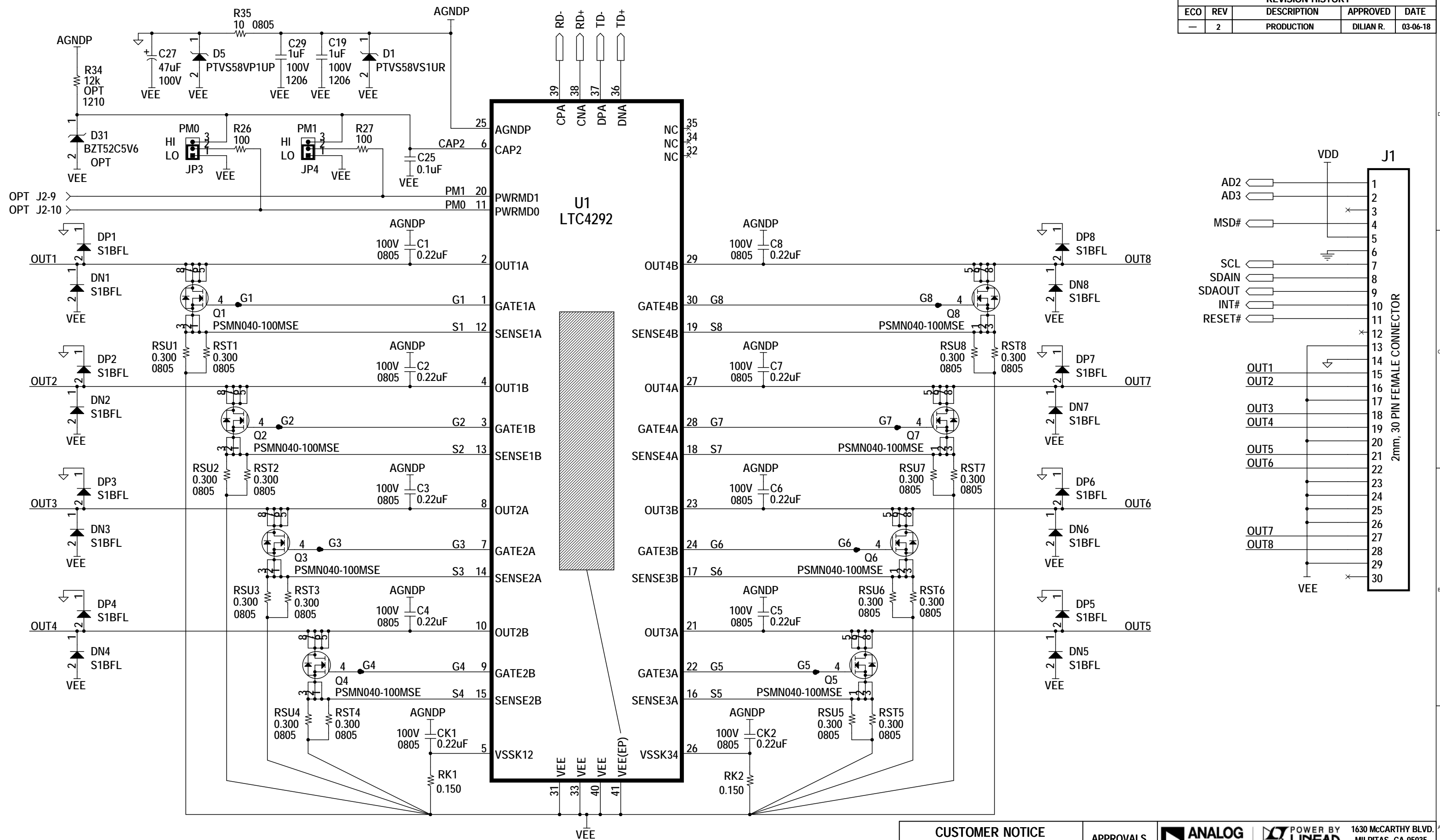


REVISION HISTORY				
ECO	REV	DESCRIPTION	APPROVED	DATE
-	2	PRODUCTION	DILIAN R.	03-06-18



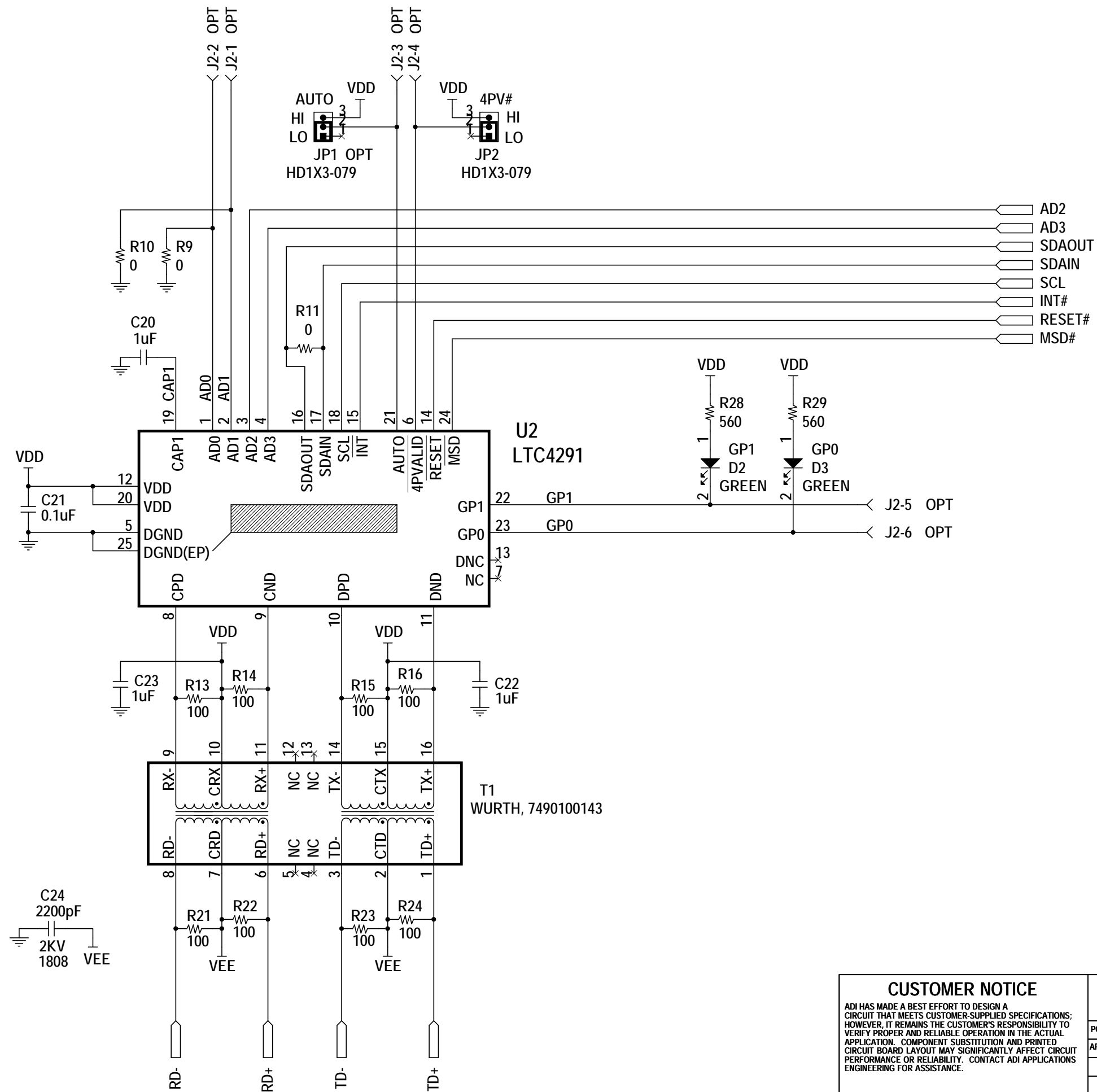
NOTE: UNLESS OTHERWISE SPECIFIED

1. ALL RESISTORS AND CAPACITORS ARE 0603.
2. RST1-RST4, RSU1-RSU4, AND RK1 CONNECT TO VEE AT ONE COMMON POINT.
3. RST5-RST8, RSU5-RSU8, AND RK2 CONNECT TO VEE AT ONE COMMON POINT.

CUSTOMER NOTICE
 ADI HAS MADE A BEST EFFORT TO DESIGN A CIRCUIT THAT MEETS CUSTOMER-SUPPLIED SPECIFICATIONS; HOWEVER, IT REMAINS THE CUSTOMER'S RESPONSIBILITY TO VERIFY PROPER AND RELIABLE OPERATION IN THE ACTUAL APPLICATION. COMPONENT SUBSTITUTION AND PRINTED CIRCUIT BOARD LAYOUT MAY SIGNIFICANTLY AFFECT CIRCUIT PERFORMANCE OR RELIABILITY. CONTACT ADI APPLICATIONS ENGINEERING FOR ASSISTANCE.

THIS CIRCUIT IS PROPRIETARY TO ADI AND SUPPLIED FOR USE WITH ADI PARTS.

APPROVALS		ANALOG DEVICES		POWER BY LINEAR		1630 MCCARTHY BLVD. MILPITAS, CA 95035 TEL: (408) 432-1900	
PCB DES.	KIM T.	www.analog.com		www.linear.com		TITLE: SCHEMATIC	
APP ENG.	DILIAN R.	IEEE 802.3bt 8-CHANNEL PSE DAUGHTER CARD					
SIZE	IC NO.	LTC4291IUF - LTC4292IUJ		REV.		2	
N/A		DEMO CIRCUIT 2684A		DATE:		Tuesday, March 06, 2018	
SCALE = NONE		SHEET 1		OF 2			



CUSTOMER NOTICE

ADI HAS MADE A BEST EFFORT TO DESIGN A CIRCUIT THAT MEETS CUSTOMER-SUPPLIED SPECIFICATIONS; HOWEVER, IT REMAINS THE CUSTOMER'S RESPONSIBILITY TO VERIFY PROPER AND RELIABLE OPERATION IN THE ACTUAL APPLICATION. COMPONENT SUBSTITUTION AND PRINTED CIRCUIT BOARD LAYOUT MAY SIGNIFICANTLY AFFECT CIRCUIT PERFORMANCE OR RELIABILITY. CONTACT ADI APPLICATIONS ENGINEERING FOR ASSISTANCE.

APPROVALS	
PCB DES.	KIM T.
APP ENG.	DILIAN R.



 1630 McCARTHY BLVD.
 MILPITAS, CA 95035
 TEL: (408) 432-1900
www.analog.com
www.linear.com

TITLE: SCHEMATIC
IEEE 802.3bt 8-CHANNEL PSE DAUGHTER CARD

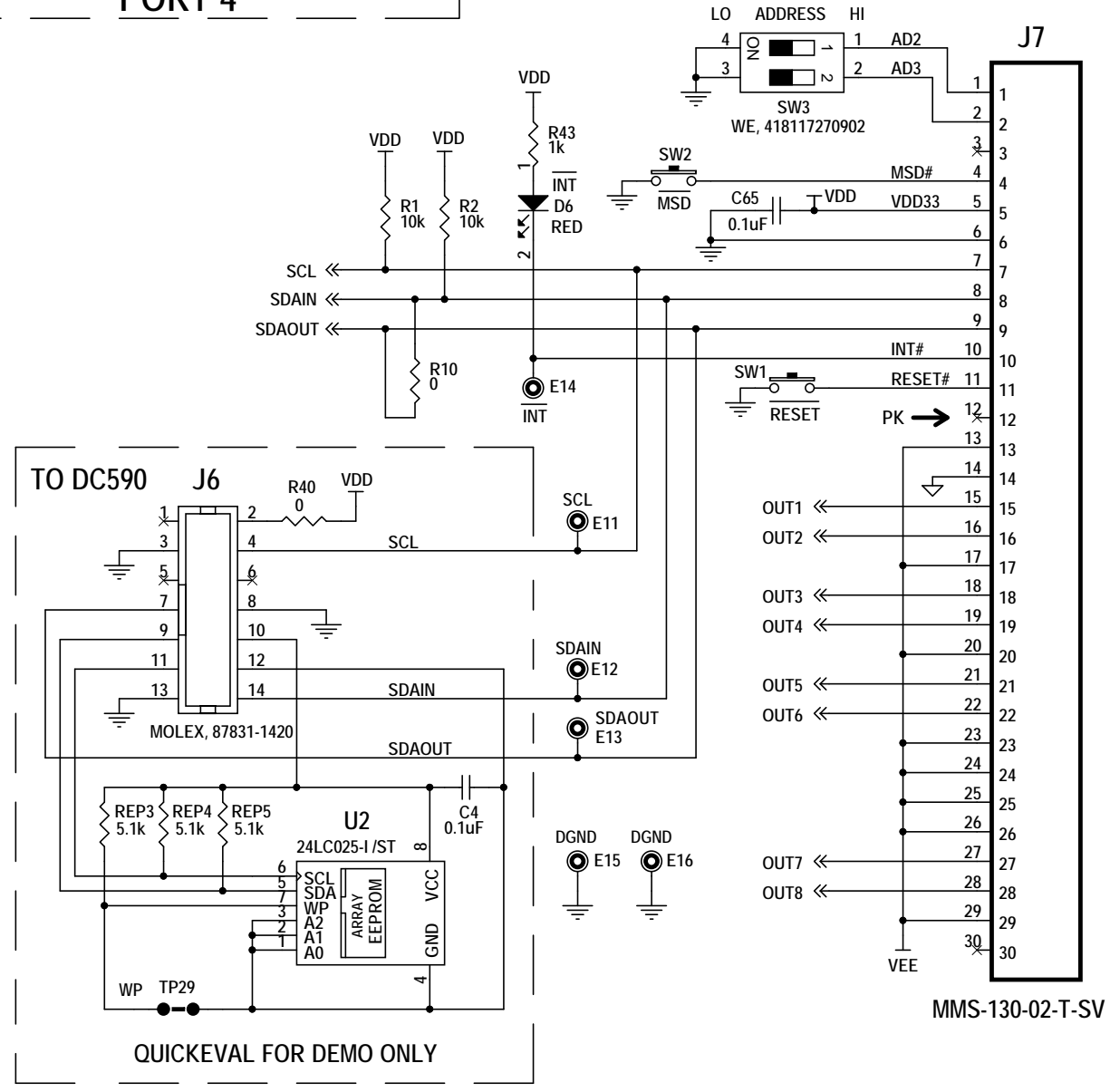
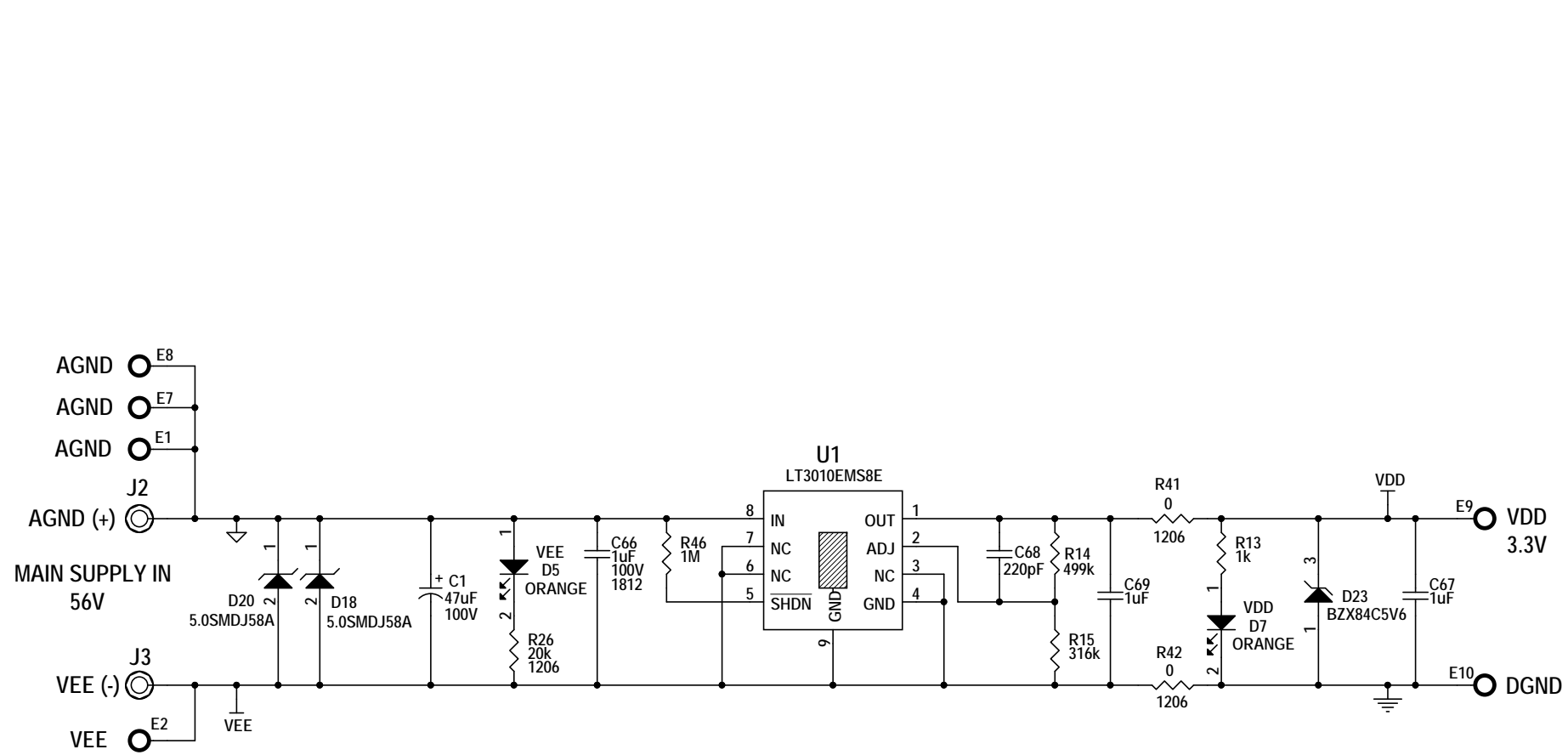
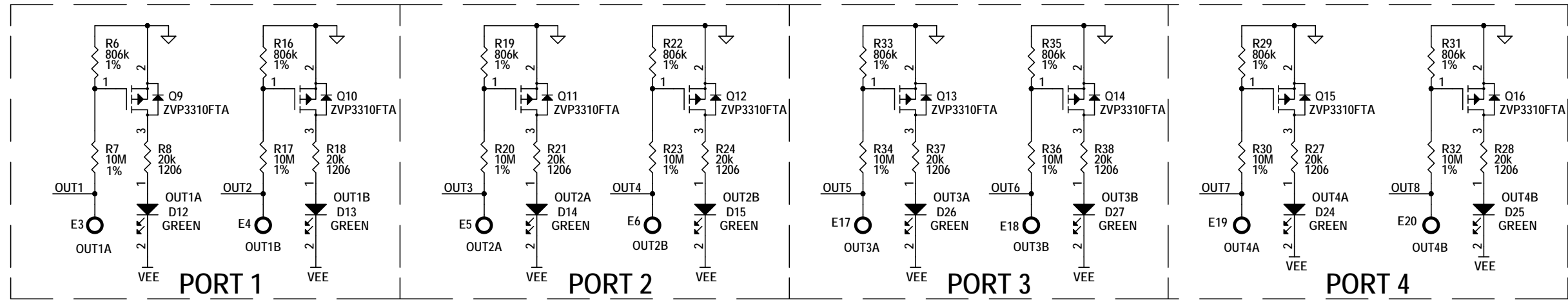
SIZE N/A
 IC NO. **LTC4291IUF - LTC4292IUJ**
DEMO CIRCUIT 2684A
 REV. 2

THIS CIRCUIT IS PROPRIETARY TO ADI AND SUPPLIED FOR USE WITH ADI PARTS.

SCALE = NONE

DATE: Tuesday, March 06, 2018 SHEET 2 OF 2

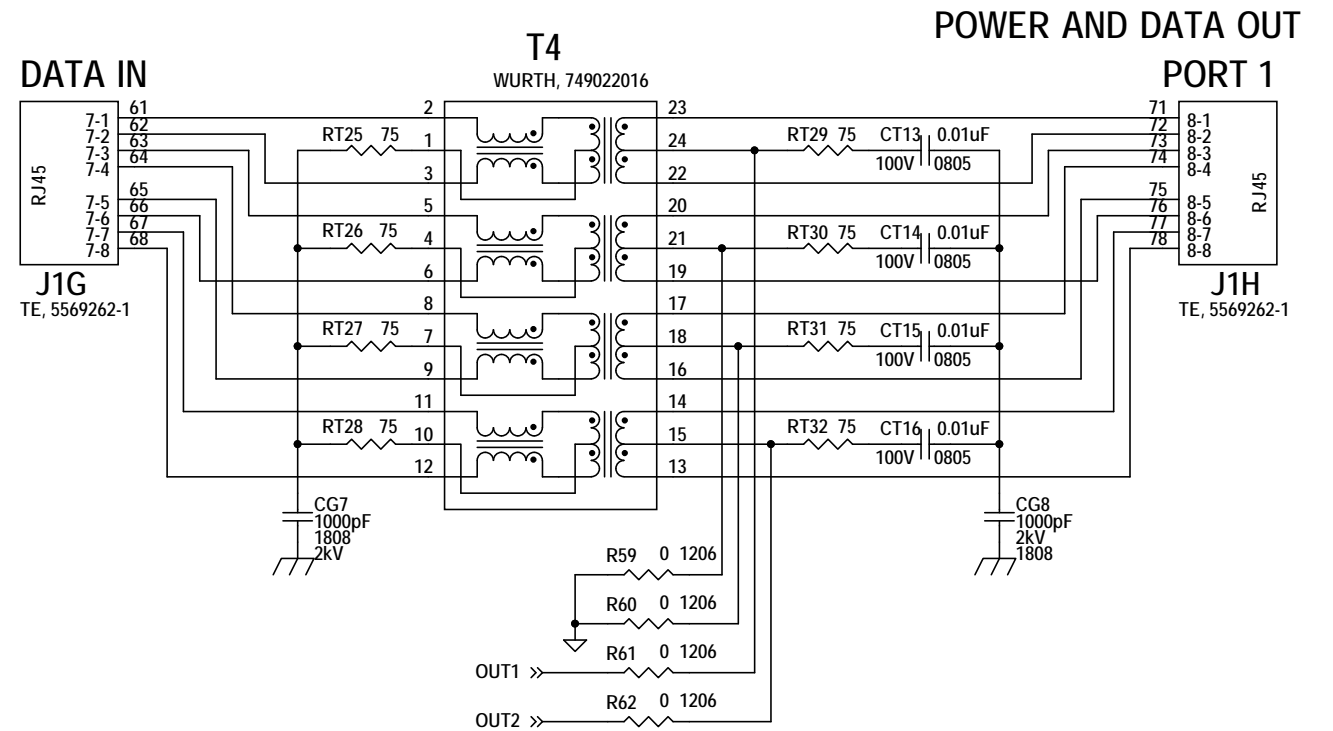
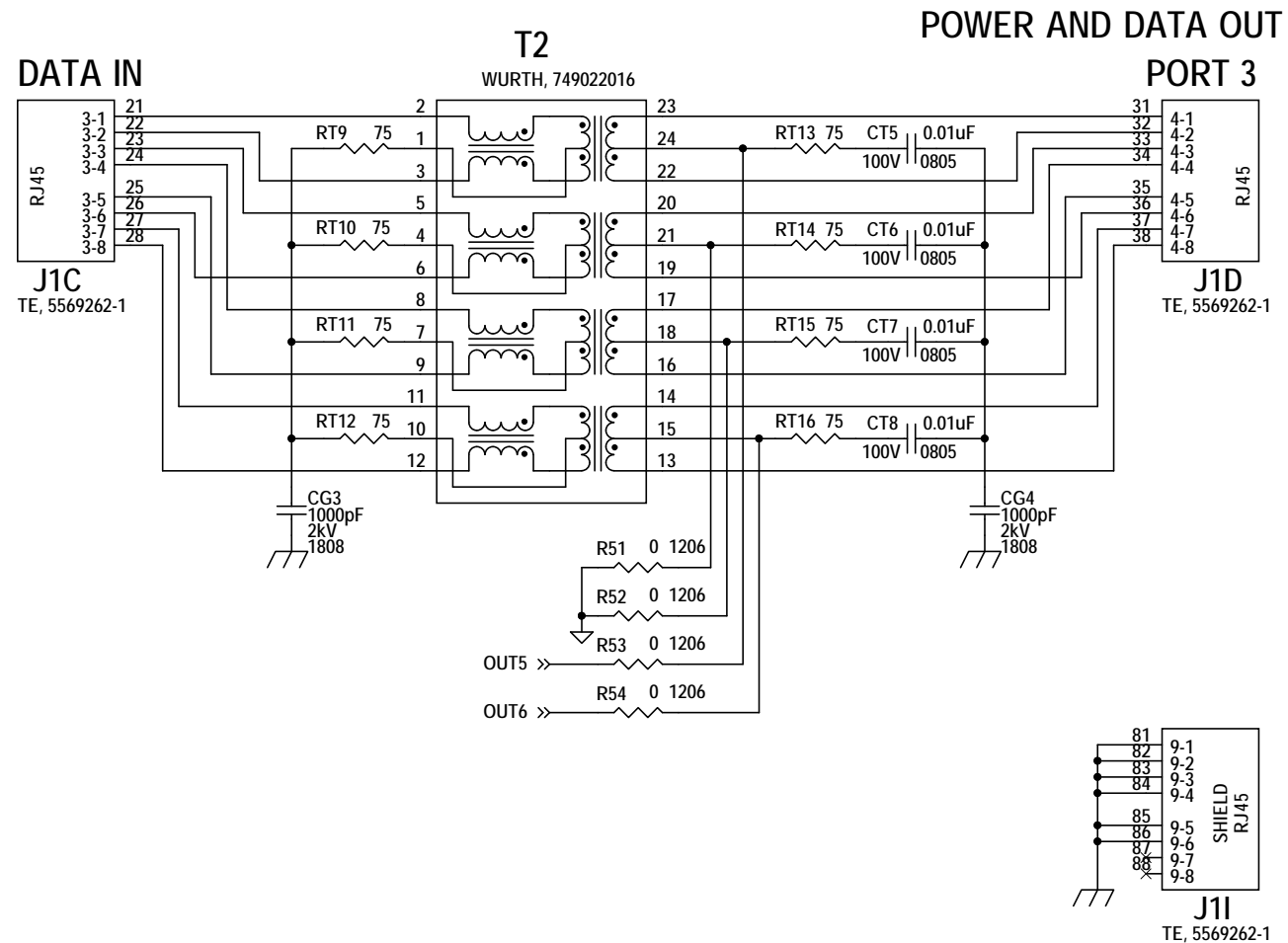
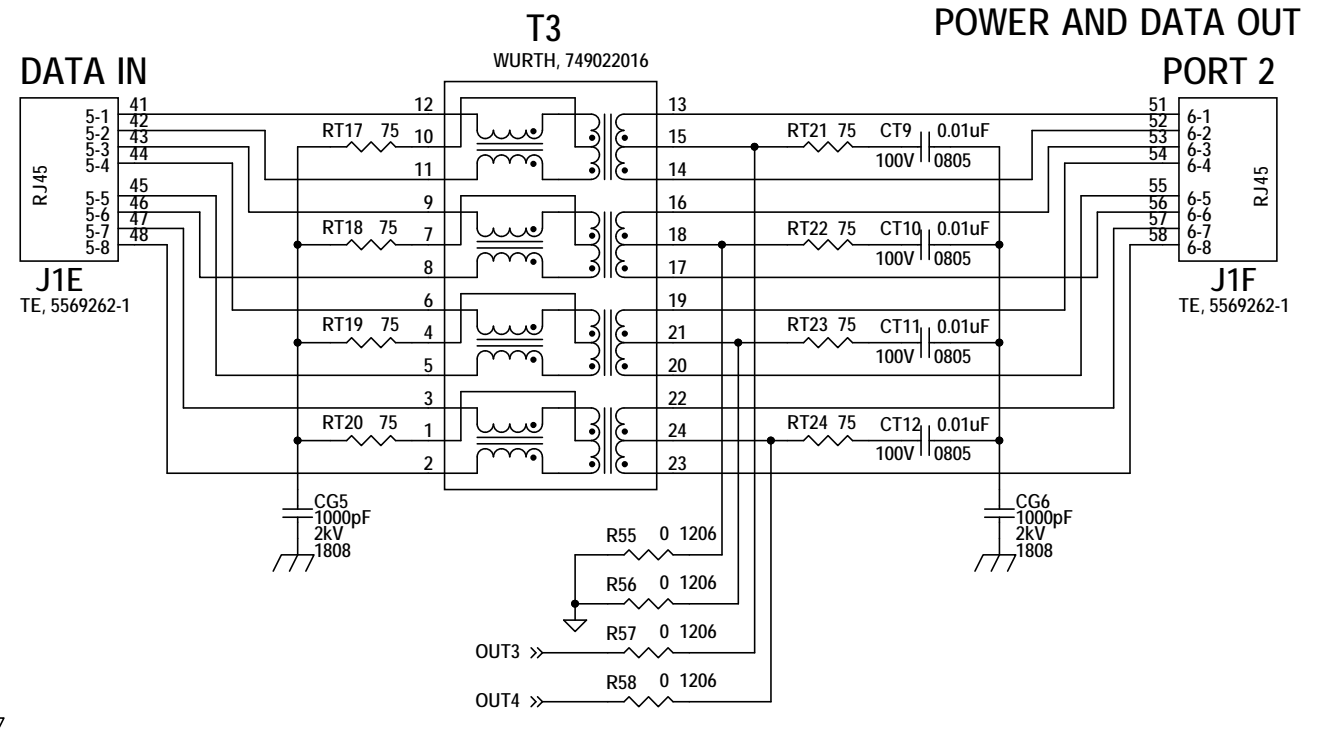
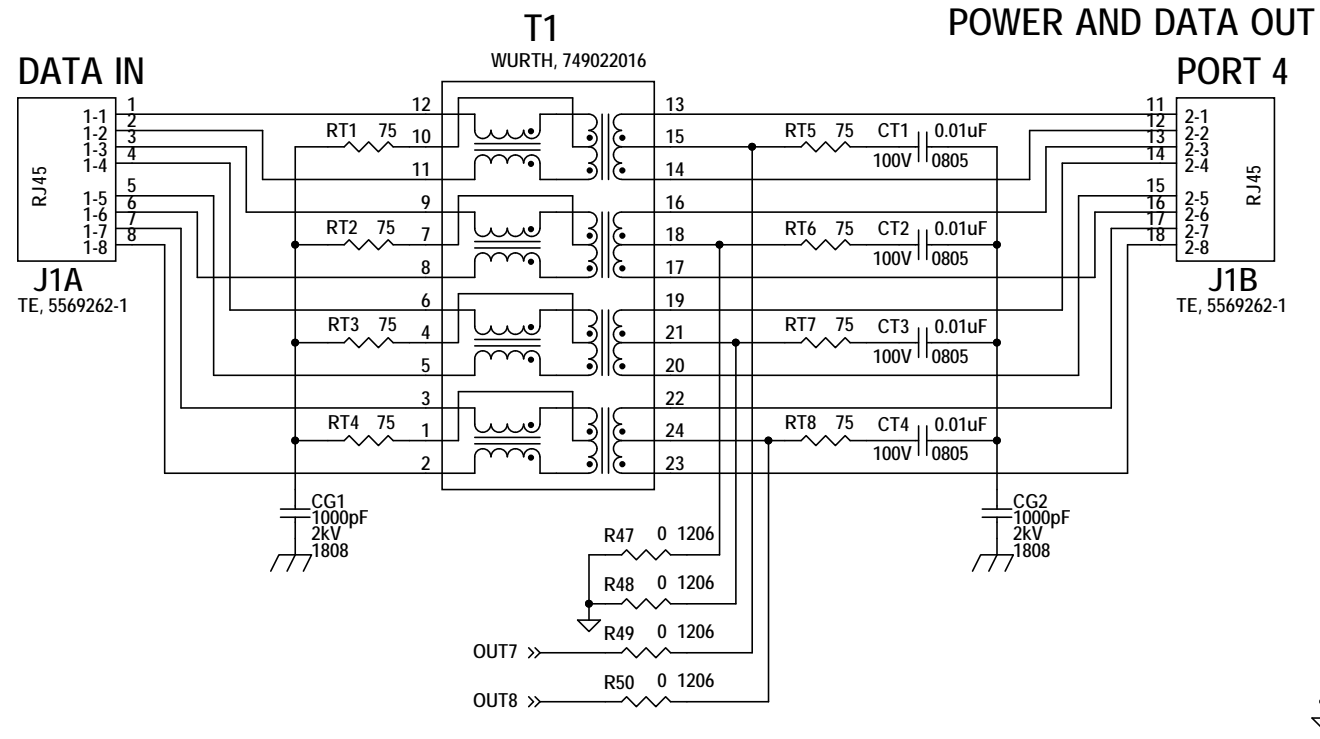
REVISION HISTORY				
ECO	REV	DESCRIPTION	APPROVED	DATE
-	1	PRODUCTION	DILIAN R.	03-06-18



NOTE: UNLESS OTHERWISE SPECIFIED

- ALL RESISTORS ARE IN OHMS, 0603.
ALL CAPACITORS ARE IN MICROFARADS, 0603.
- INSTALL SHUNTS AS SHOWN.

CUSTOMER NOTICE ADI HAS MADE A BEST EFFORT TO DESIGN A CIRCUIT THAT MEETS CUSTOMER-SUPPLIED SPECIFICATIONS; HOWEVER, IT REMAINS THE CUSTOMER'S RESPONSIBILITY TO VERIFY PROPER AND RELIABLE OPERATION IN THE ACTUAL APPLICATION. COMPONENT SUBSTITUTION AND PRINTED CIRCUIT BOARD LAYOUT MAY SIGNIFICANTLY AFFECT CIRCUIT PERFORMANCE OR RELIABILITY. CONTACT ADI APPLICATIONS ENGINEERING FOR ASSISTANCE.		APPROVALS PCB DES. KIM T. APP ENG. DILIAN R.				1630 MCCARTHY BLVD. MILPITAS, CA 95035 TEL: (408) 432-1900	
THIS CIRCUIT IS PROPRIETARY TO ADI AND SUPPLIED FOR USE WITH ADI PARTS.		SCALE = NONE		DATE: Tuesday, March 06, 2018		SHEET 1 OF 2	
IEEE 802.3bt 4-PORT PSE MOTHERBOARD DEMO CIRCUIT 2683A				TITLE: SCHEMATIC SIZE: N/A IC NO.:		REV. 1	



CUSTOMER NOTICE		APPROVALS		ANALOG DEVICES		POWER BY LINEAR		1630 MCCARTHY BLVD. MILPITAS, CA 95035 TEL: (408) 432-1900	
ADI HAS MADE A BEST EFFORT TO DESIGN A CIRCUIT THAT MEETS CUSTOMER-SUPPLIED SPECIFICATIONS; HOWEVER, IT REMAINS THE CUSTOMER'S RESPONSIBILITY TO VERIFY PROPER AND RELIABLE OPERATION IN THE ACTUAL APPLICATION. COMPONENT SUBSTITUTION AND PRINTED CIRCUIT BOARD LAYOUT MAY SIGNIFICANTLY AFFECT CIRCUIT PERFORMANCE OR RELIABILITY. CONTACT ADI APPLICATIONS ENGINEERING FOR ASSISTANCE.		PCB DES.	KIM T.	www.analog.com		www.linear.com		TITLE: SCHEMATIC	
THIS CIRCUIT IS PROPRIETARY TO ADI AND SUPPLIED FOR USE WITH ADI PARTS.		APP ENG.	DILIAN R.	IEEE 802.3bt 4-PORT PSE MOTHERBOARD		SIZE N/A		IC NO. DEMO CIRCUIT 2683A	
SCALE = NONE		DATE: Tuesday, March 06, 2018		REV. 1		SHEET 2 OF 2			