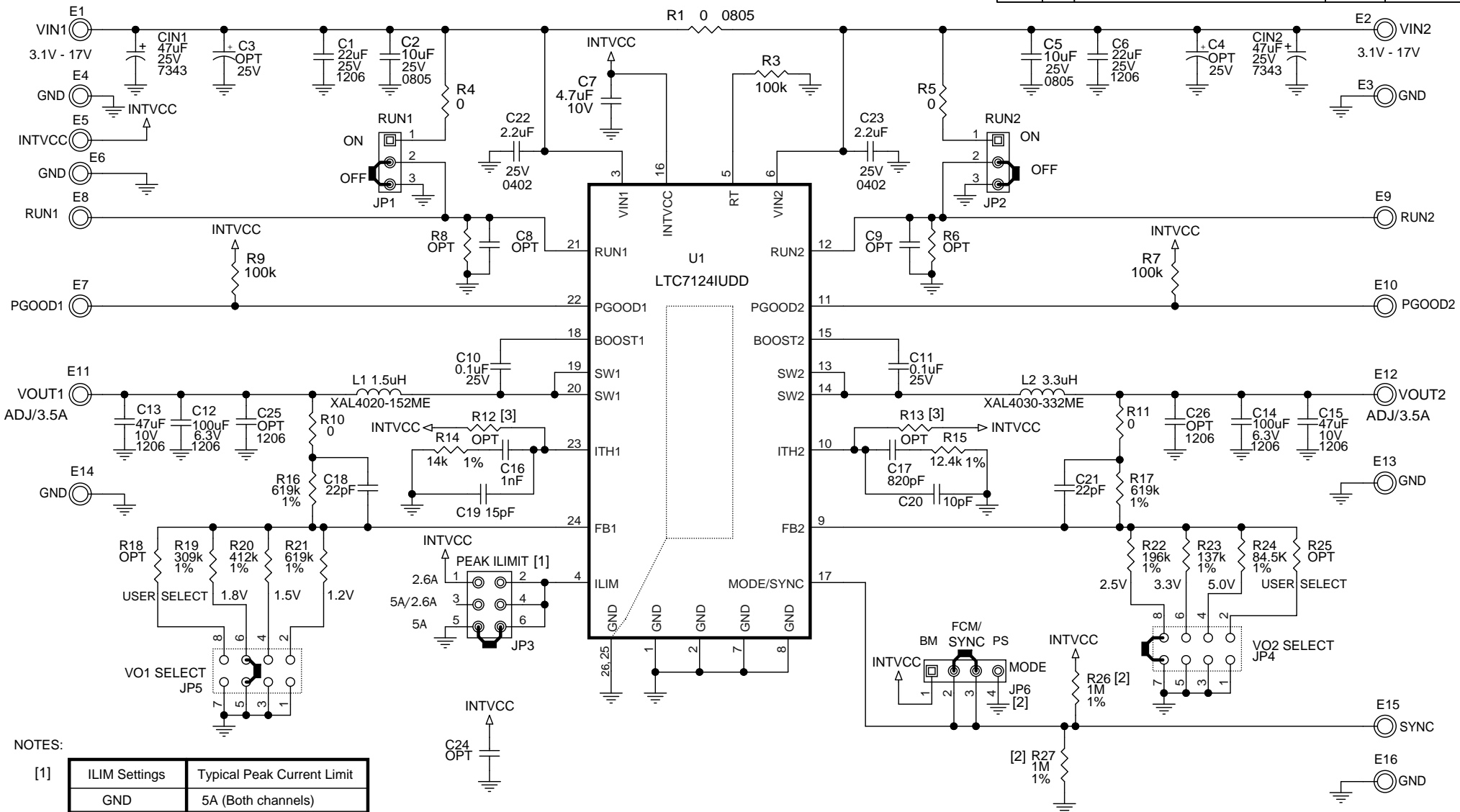


REVISION HISTORY				
ECO	REV	DESCRIPTION	DATE	APPROVED
~	3	PROD	05/11/17	<i>[Signature]</i>



NOTES:

[1]	ILIM Settings	Typical Peak Current Limit
	GND	5A (Both channels)
	INTVCC	2.6A (Both channels)
	FLOAT	5A (Channel 1) 2.6A (Channel 2)

[2] Stuff R26 and R27 with 1 Meg resistors for FCM. Remove R26, R27 and use JP6 to select BM, PS or Sync.

[3] Remove C16, C17, C19, C20 and stuff R12 and R13 with 0 Ohm resistors to select Internal Compensation.

CUSTOMER NOTICE		APPROVALS			1630 McCarthy Blvd. Milpitas, CA 95035 Phone: (408)432-1900 www.linear.com Fax: (408)434-0507 LTC Confidential-For Customer Use Only	
LINEAR TECHNOLOGY HAS MADE A BEST EFFORT TO DESIGN A CIRCUIT THAT MEETS CUSTOMER-SUPPLIED SPECIFICATIONS; HOWEVER, IT REMAINS THE CUSTOMER'S RESPONSIBILITY TO VERIFY PROPER AND RELIABLE OPERATION IN THE ACTUAL APPLICATION. COMPONENT SUBSTITUTION AND PRINTED CIRCUIT BOARD LAYOUT MAY SIGNIFICANTLY AFFECT CIRCUIT PERFORMANCE OR RELIABILITY. CONTACT LINEAR TECHNOLOGY APPLICATIONS ENGINEERING FOR ASSISTANCE.		PCB DES.	<i>[Signature]</i>		TITLE: SCHEMATIC	
		APP ENG.	<i>[Signature]</i>	17V, 3.5A DUAL SYNCHRONOUS STEP-DOWN REGULATOR WITH ULTRA-LOW QUIESCENT CURRENT		
		SIZE	N/A	IC NO.	LTC7124IUDD	REV.
		SCALE	NONE	DATE	Friday, May 12, 2017	3
THIS CIRCUIT IS PROPRIETARY TO LINEAR TECHNOLOGY AND SUPPLIED FOR USE WITH LINEAR TECHNOLOGY PARTS.				DATE: Friday, May 12, 2017		SHEET 1 OF 1