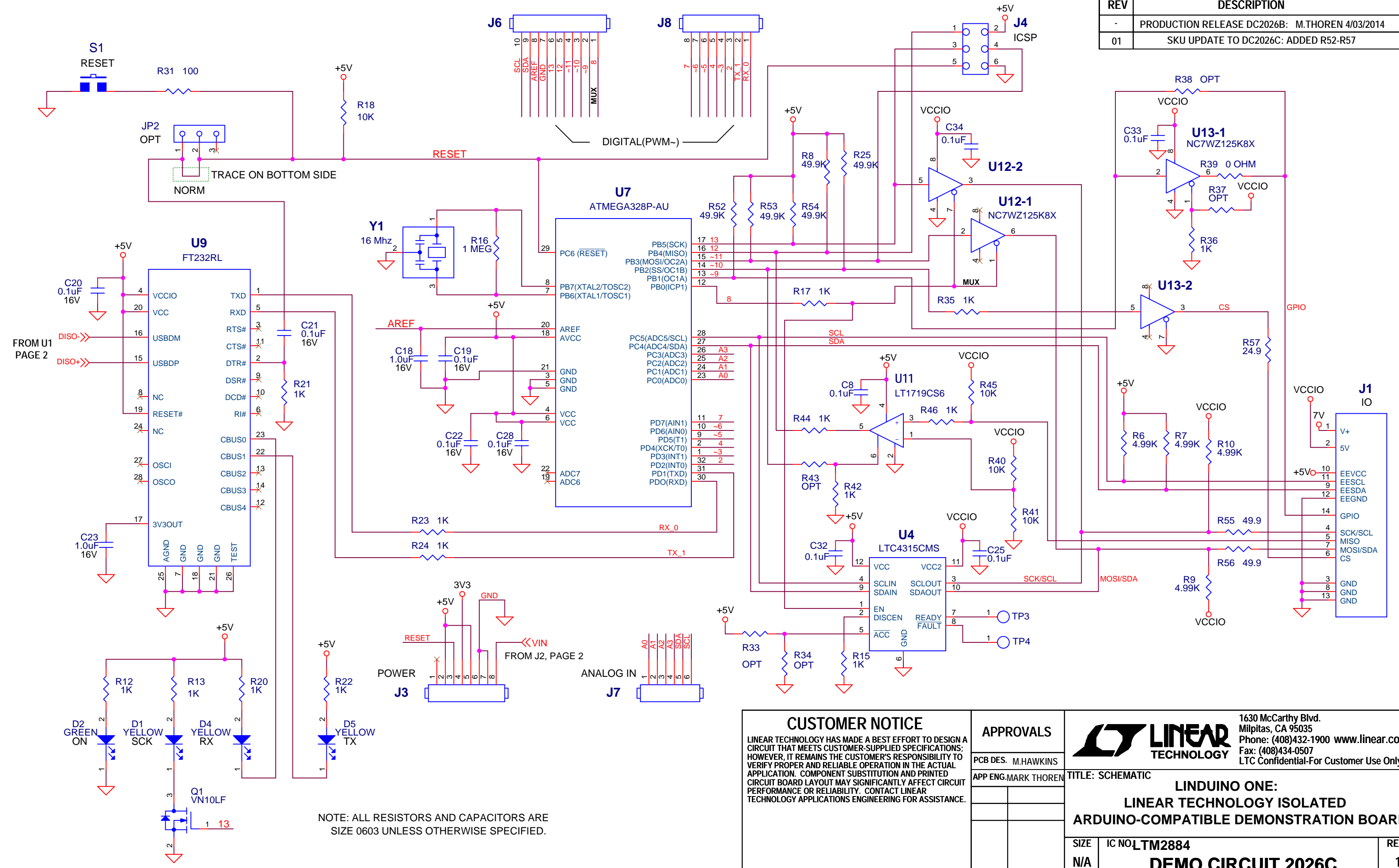


REVISION HISTORY	
REV	DESCRIPTION
-	PRODUCTION RELEASE DC2026B: M.THOREN 4/03/2014
01	SKU UPDATE TO DC2026C: ADDED R52-R57



NOTE: ALL RESISTORS AND CAPACITORS ARE SIZE 0603 UNLESS OTHERWISE SPECIFIED.

CUSTOMER NOTICE
 LINEAR TECHNOLOGY HAS MADE A BEST EFFORT TO DESIGN A CIRCUIT THAT MEETS CUSTOMER-SUPPLIED SPECIFICATIONS; HOWEVER, IT REMAINS THE CUSTOMER'S RESPONSIBILITY TO VERIFY PROPER AND RELIABLE OPERATION IN THE ACTUAL APPLICATION. COMPONENT SUBSTITUTION AND PRINTED CIRCUIT BOARD LAYOUT MAY SIGNIFICANTLY AFFECT CIRCUIT PERFORMANCE OR RELIABILITY. CONTACT LINEAR TECHNOLOGY APPLICATIONS ENGINEERING FOR ASSISTANCE.

APPROVALS	
PCB DES.	M.HAWKINS
APP ENG.	MARK THOREN

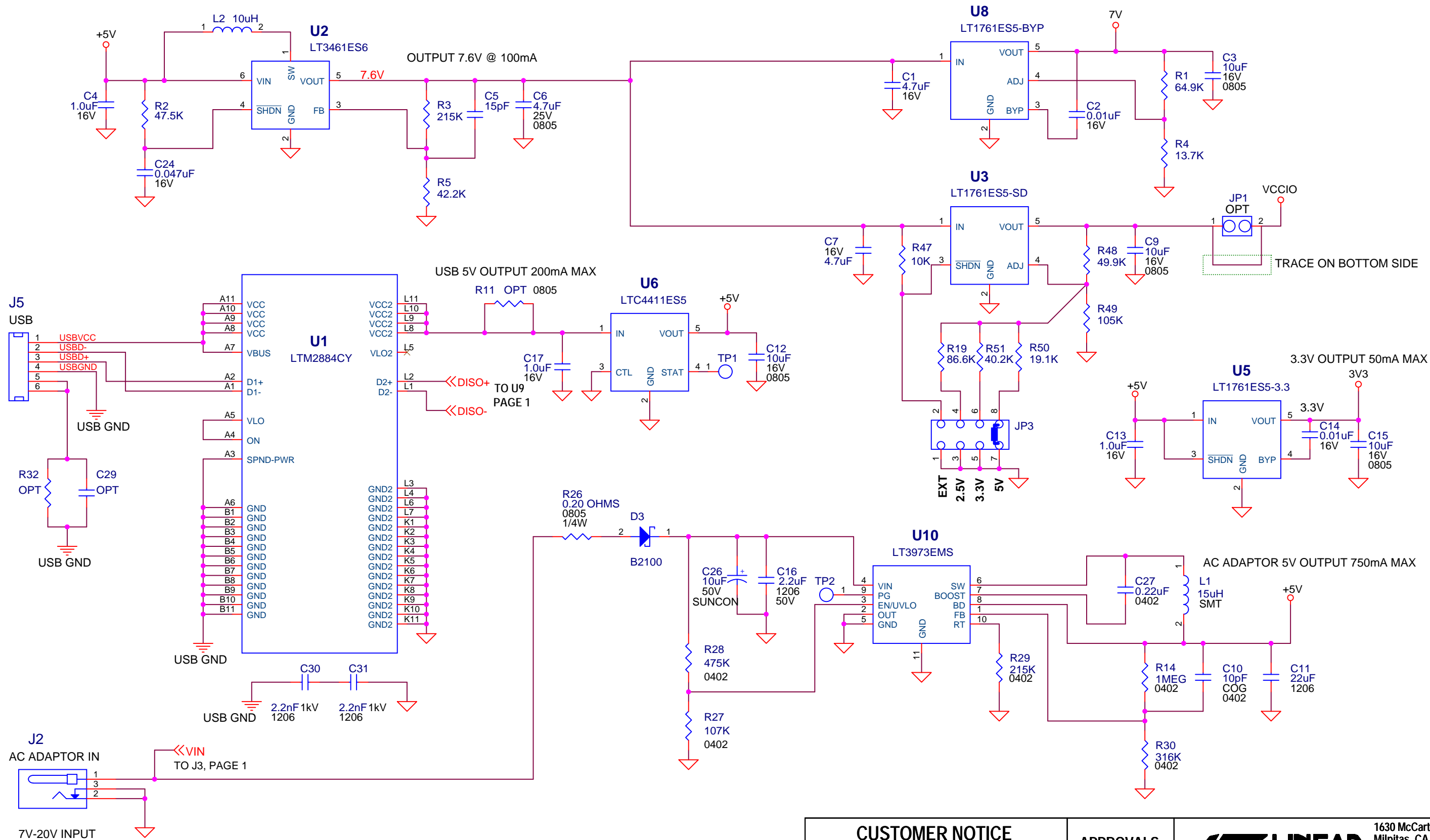
1630 McCarthy Blvd.
 Milpitas, CA 95035
 Phone: (408)432-1900 www.linear.com
 Fax: (408)434-0507
 LTC Confidential-For Customer Use Only

LINEAR TECHNOLOGY

TITLE: SCHEMATIC
**LINDUINO ONE:
 LINEAR TECHNOLOGY ISOLATED
 ARDUINO-COMPATIBLE DEMONSTRATION BOARD**

SIZE	IC NO. LTM2884	REV.
N/A	DEMO CIRCUIT 2026C	1

DATE: 05/29/2015



PCB MECHANICAL PARTS

MP1	BUMPER, ADHESIVE-BACKED
MP2	BUMPER, ADHESIVE-BACKED
MP3	BUMPER, ADHESIVE-BACKED
MP4	BUMPER, ADHESIVE-BACKED

NOTE: ALL RESISTORS AND CAPACITORS ARE SIZE 0603 UNLESS OTHERWISE SPECIFIED.

<p>CUSTOMER NOTICE</p> <p>LINEAR TECHNOLOGY HAS MADE A BEST EFFORT TO DESIGN A CIRCUIT THAT MEETS CUSTOMER-SUPPLIED SPECIFICATIONS; HOWEVER, IT REMAINS THE CUSTOMER'S RESPONSIBILITY TO VERIFY PROPER AND RELIABLE OPERATION IN THE ACTUAL APPLICATION. COMPONENT SUBSTITUTION AND PRINTED CIRCUIT BOARD LAYOUT MAY SIGNIFICANTLY AFFECT CIRCUIT PERFORMANCE OR RELIABILITY. CONTACT LINEAR TECHNOLOGY APPLICATIONS ENGINEERING FOR ASSISTANCE.</p>		<p>APPROVALS</p>		<p>1630 McCarthy Blvd. Milpitas, CA 95035 Phone: (408)432-1900 www.linear.com Fax: (408)434-0507 LTC Confidential-For Customer Use Only</p>	
		<p>PCB DES. M.HAWKINS</p> <p>APP ENG. MARK THOREN</p>			<p>TITLE: SCHEMATIC</p> <p>LINDUINO ONE: LINEAR TECHNOLOGY ISOLATED ARDUINO-COMPATIBLE DEMONSTRATION BOARD</p>
<p>THIS CIRCUIT IS PROPRIETARY TO LINEAR TECHNOLOGY AND SUPPLIED FOR USE WITH LINEAR TECHNOLOGY PARTS.</p>		<p>SCALE = NONE</p>	<p>DATE: 05/29/2015</p>	<p>SIZE N/A</p> <p>IC NO. LTM2884</p> <p>DEMO CIRCUIT 2026C</p>	<p>REV. 1</p>
			<p>SHEET 2 OF 2</p>		