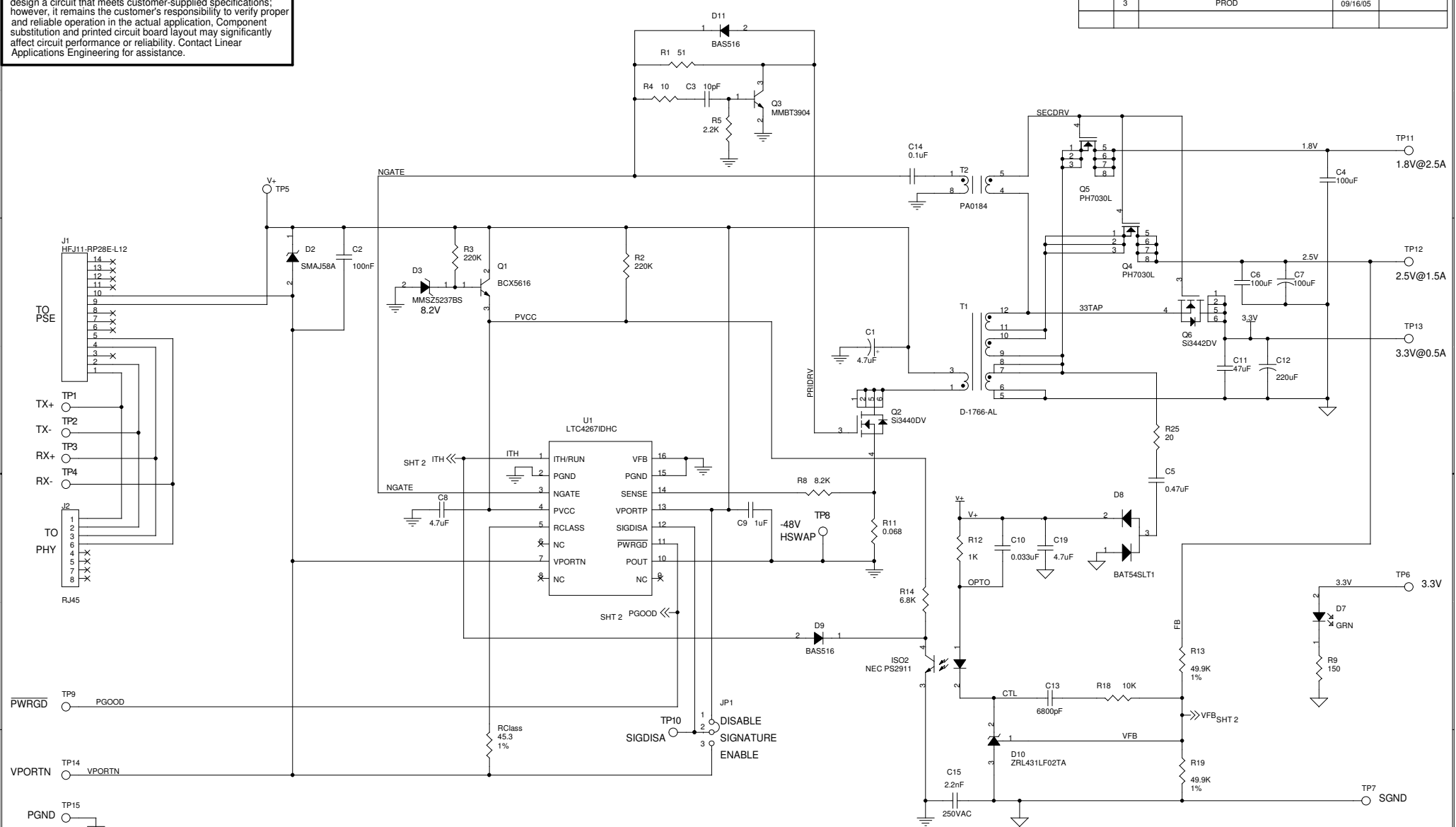



This circuit is proprietary to Linear Technology and supplied for use with Linear Technology parts.

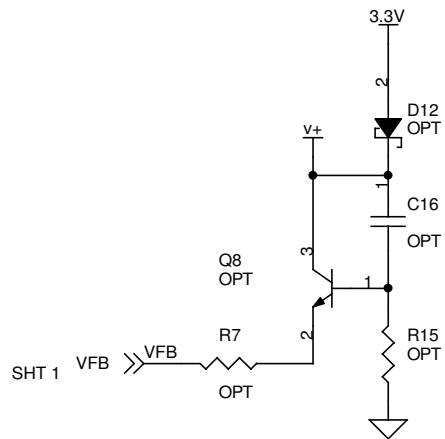
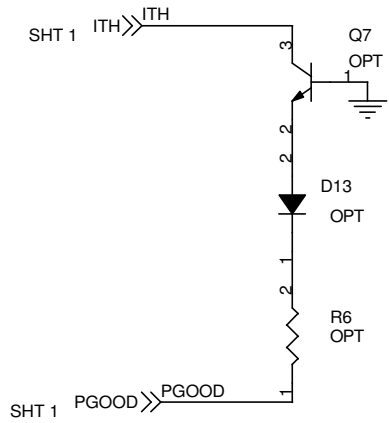
**Customer Notice:** Linear Technology has made a best effort to design a circuit that meets customer-supplied specifications; however, it remains the customer's responsibility to verify proper and reliable operation in the actual application, Component substitution and printed circuit board layout may significantly affect circuit performance or reliability. Contact Linear Applications Engineering for assistance.

REVISION HISTORY				
ECO	REV	DESCRIPTION	DATE	APPROVED
	3	PROD	09/16/05	



UNLESS OTHERWISE SPECIFIED DIMENSIONS ARE IN INCHES TOLERANCE ON ANGLE - - - 2 PLACES - - - 3 PLACES - - - INTERPRET DIM AND TOL PER ASME Y14.5M - 1994	CONTRACT NO.		 1630 McCarthy Blvd. Milpitas, CA 95035 Phone: (408)432-1900 Fax: (408)434-0507
	APPROVALS	DATE	
	DRAWN MEI	02/28/05	
	TITLE		
THIRD ANGLE PROJECTION	CHECKED		SCH, LTC4267IDHC, MULTIPLE OUTPUT PD
	APPROVED		
	ENGINEER		
	DESIGNER		
	SIZE	CAGE CODE	DWG NO
	Custom		DC859A
	DO NOT SCALE DRAWING	Friday, September 16, 2005	SCALE: NONE
		FILENAME: 859A-3.DSN	SHEET 1 OF 1

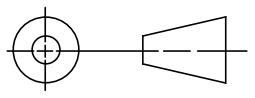
REVISION HISTORY				
ECO	REV	DESCRIPTION	DATE	APPROVED
	3	PROD	08/16/05	



Tooling Holes



UNLESS OTHERWISE SPECIFIED  
DIMENSIONS ARE IN INCHES  
TOLERANCE ON ANGLE ---  
2 PLACES --- 3 PLACES ---  
INTERPRET DIM AND TOL  
PER ASME Y14.5M -1994



DO NOT SCALE DRAWING

CONTRACT NO.	
APPROVALS	DATE
DRAWN MEI	02/28/05
CHECKED	
APPROVED	
ENGINEER	
DESIGNER	
Friday, September 16, 2005	



1630 McCarthy Blvd.  
Milpitas, CA 95035  
Phone: (408)432-1900  
Fax: (408)434-0507

TITLE				
SCH, LTC4267IDHC, MULTIPLE OUTPUT PD				
SIZE	CAGE CODE	DWG NO	REV	
A		DC859A	3	
SCALE: NONE	FILENAME: 859A-3.DSN	SHEET 2	OF 2	