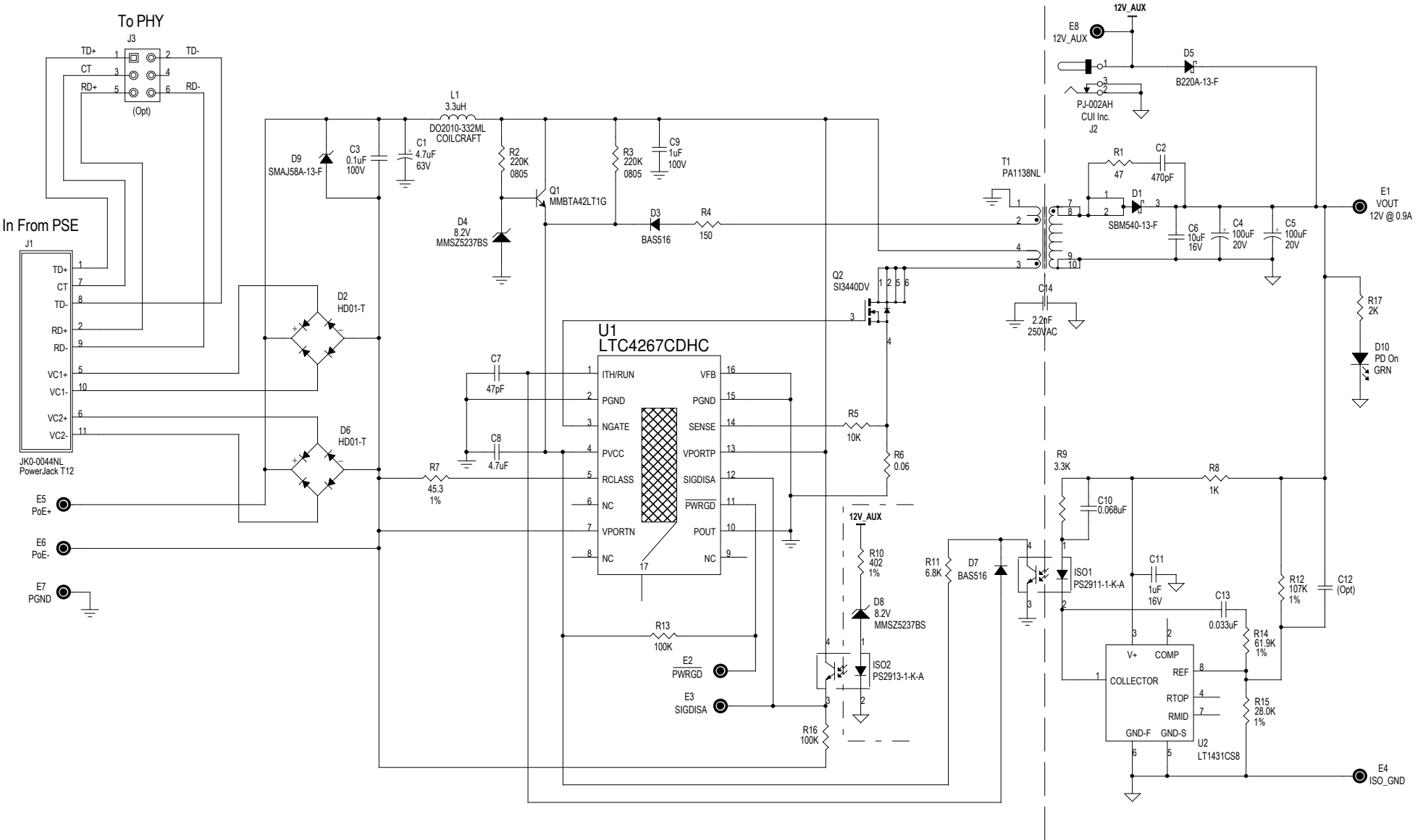


REVISION HISTORY				
ECO	REV	DESCRIPTION	DATE	APPROVED
-	0	1st <b>PROTOTYPE</b>	<DATE>	<APPROVED>
	1	D1 (CMSH5-60 to SBM540) D5 (CMSH5-60 to B220A)	10/08/07	Dilian Reyes



This circuit is proprietary to Linear Technology and supplied for use with Linear Technology parts.  
**Customer Notice:** Linear Technology has made a best effort to design a circuit that meets customer-supplied specifications; however, it remains the customers responsibility to verify proper and reliable operation in the actual application. Component substitution and printed circuit board layout may significantly affect circuit performance or reliability. Contact Linear Applications Engineering for assistance.

APPROVALS		LINEAR TECHNOLOGY CORPORATION	
DRAWN: <i>Rudy Bautista</i>		1630 McCARTHY BLVD MILPITAS, CA, 95035 (408)432-1900 (408)434-0507 (FAX)	
ENGINEER: Dilian Reyes		www.linear.com LTC Confidential - For Customer Use Only	
APPROVED:		Title: LTC4267CDHC PoE Powered Device w/12V Isolated Auxiliary	
CHECKED:		SD Document Number	
Date: Tuesday, August 26, 2008		Demo Circuit 1145A	
		C:\ORCAD\WINCAPTURE\1145A\1145A_REV2.DSN	
		Sheet 1 of 1	