

Analog Devices Welcomes Hittite Microwave Corporation

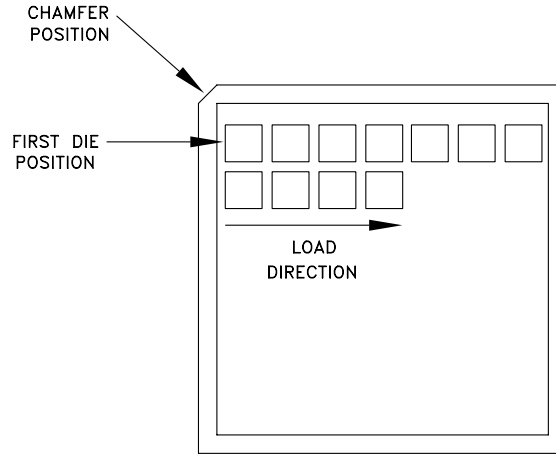
NO CONTENT ON THE ATTACHED DOCUMENT HAS CHANGED



THIS PAGE INTENTIONALLY LEFT BLANK

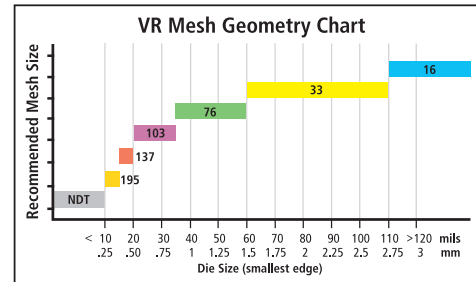
GEL-PAK® & WAFFLE PACK BARE DIE (CHIP) PACKAGING INFORMATION

Product Load Direction (Gel-Pak® or Waffle Pack)



Gel-Pak® Dimensions & Part Numbers

Manufacturer P/N	Gel-Pak®	Tack Level	Mesh
VR-33CC-02-X4	GP-1	4	33
VR-76CC-02-X4	GP-2	4	76
VR-137CC-02-X4	GP-3	4	137
VR-195CC-02-X0	GP-4	0	195
VR-103CC-02-XL	GP-5	XL	103
VR-137CC-02-XL	GP-6	XL	137

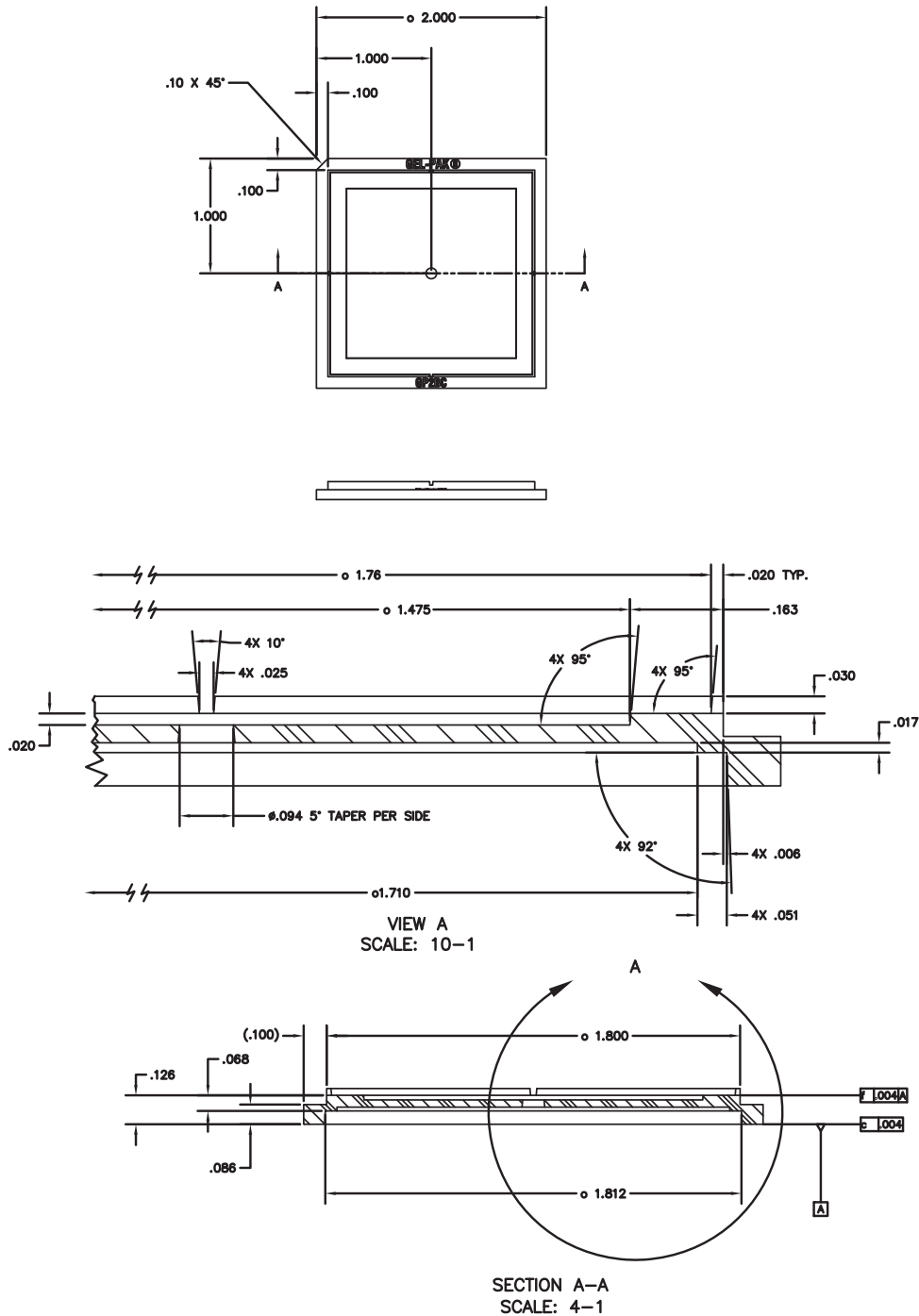


Note: See the HMC product data sheet for specific Gel-Pak® or Waffle Pack used for that product.

**GEL-PAK® & WAFFLE PACK
BARE DIE (CHIP) PACKAGING INFORMATION**

Gel-Pak® Outline Drawings Are For Reference Only

Gel-Pak® VR Tray 16 and 33 Outline Drawing



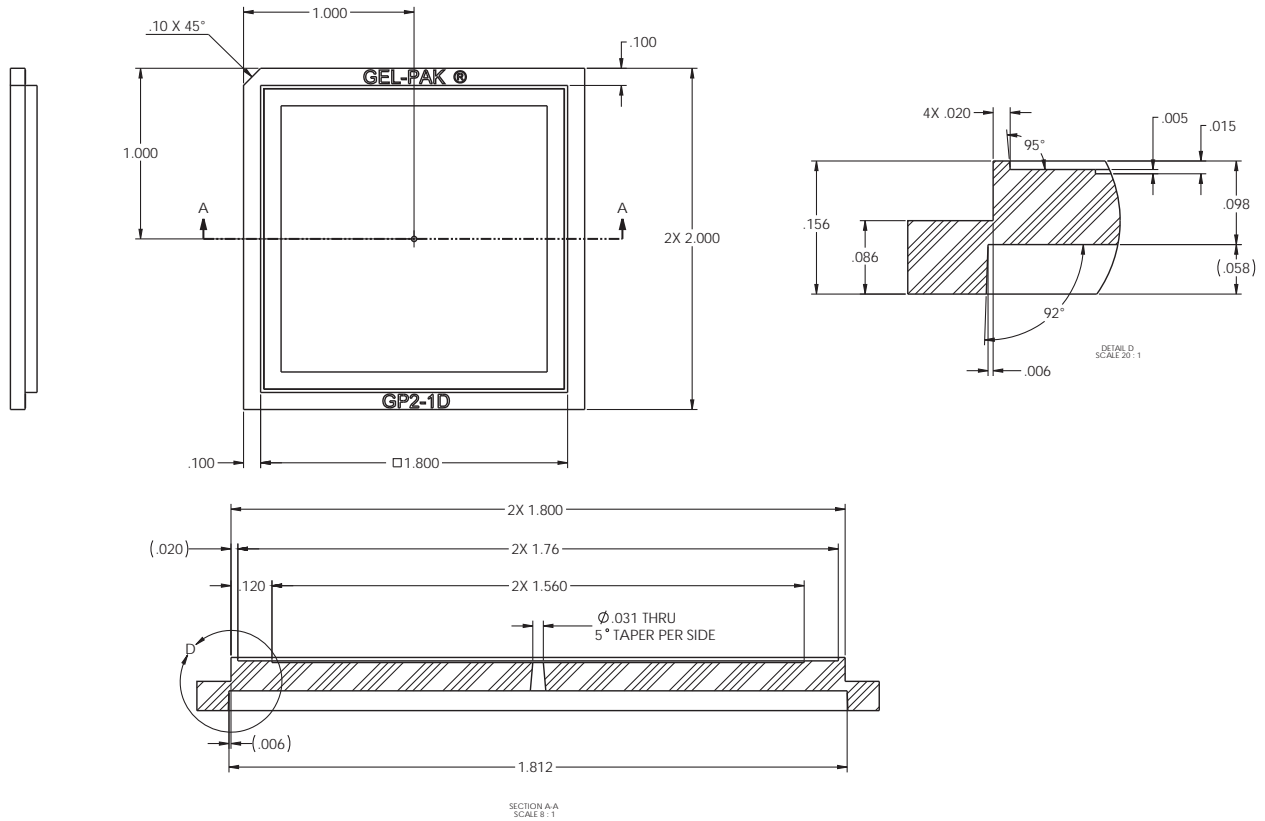
Note: See the HMC product data sheet for specific Gel-Pak® or Waffle Pack used for that product.



**GEL-PAK® & WAFFLE PACK
BARE DIE (CHIP) PACKAGING INFORMATION**

Gel-Pak® Outline Drawings Are For Reference Only

Gel-Pak® (GP2-1D) VR Tray 76 Outline Drawing



Note: See the HMC product data sheet for specific Gel-Pak® or Waffle Pack used for that product.

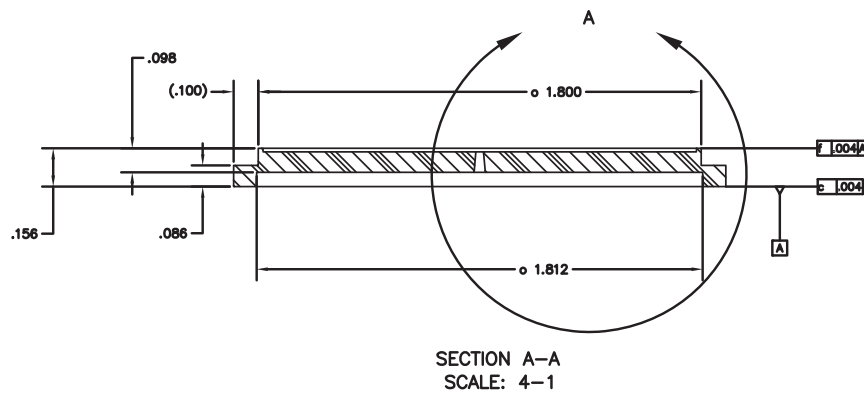
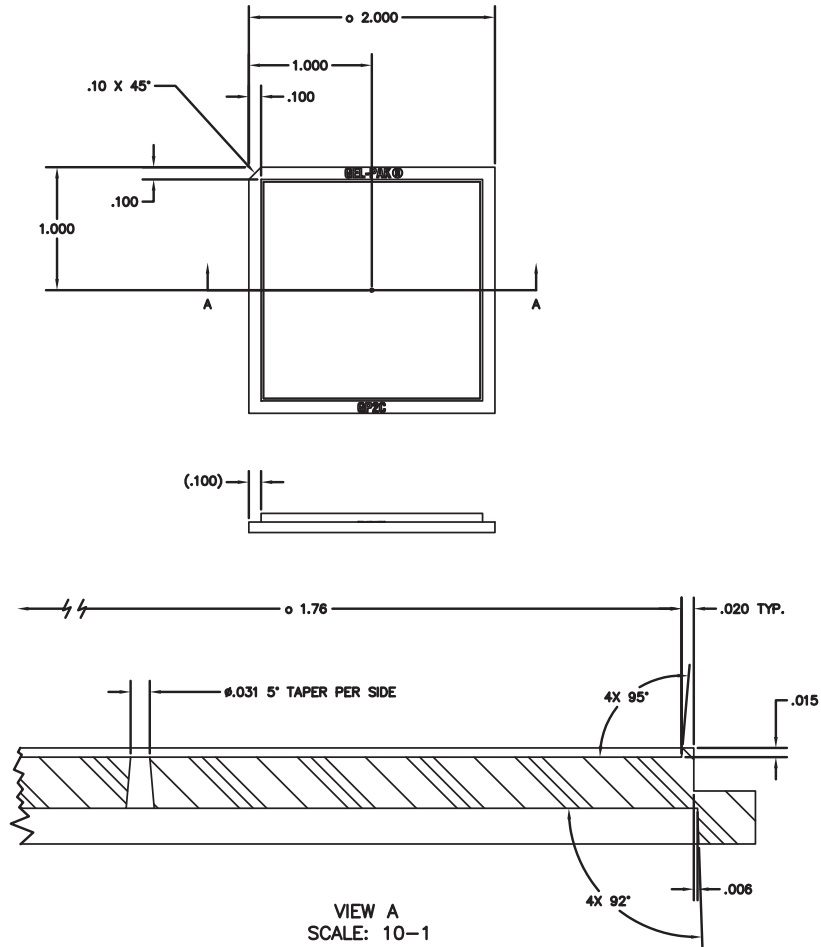
Gel-Pak Gel-Pak® Is a Registered Trademark of Gel-Pak®, A Division of Delphon Industries Copyright © 2005, All Rights Reserved.
Protecting the World's Valuable Devices www.gelpak.com; Information Printed By Permission.

For price, delivery, and to place orders, please contact Hittite Microwave Corporation:
20 Alpha Road, Chelmsford, MA 01824 Phone: 978-250-3343 Fax: 978-250-3373
Order On-line at www.hittite.com

**GEL-PAK® & WAFFLE PACK
BARE DIE (CHIP) PACKAGING INFORMATION**

Gel-Pak® Outline Drawings Are For Reference Only

Gel-Pak® VR Tray 103, 137 and 195 Outline Drawing

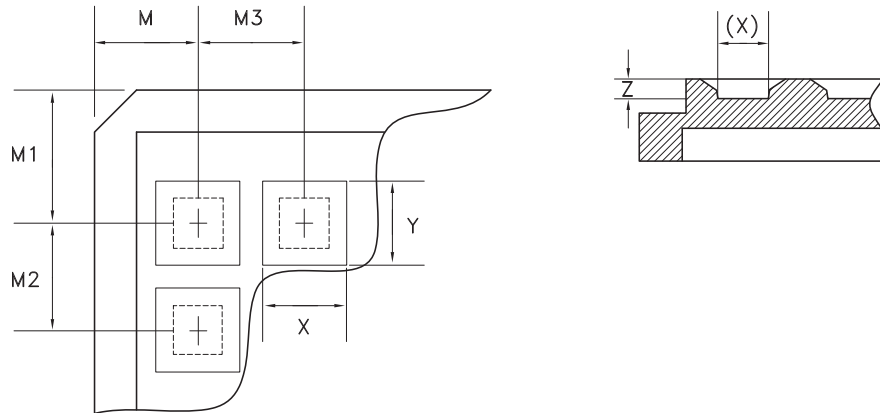


Note: See the HMC product data sheet for specific Gel-Pak® or Waffle Pack used for that product.



GEL-PAK® & WAFFLE PACK BARE DIE (CHIP) PACKAGING INFORMATION

Waffle Pack Dimensions & Part Numbers



Manufacturer P/N	Waffle-Pack	M	M1	M2	M3	Array	X Pocket Size	Y Pocket Size	Z Pocket Depth	Size	Height	Flatness
H20-028043-66C02	WP-1	0.160" ±0.003"	0.164" ±0.003"	0.088" ±0.002"	0.070" ±0.002"	25 x 20 (500)	0.028" ±0.002"	0.043" ±0.002"	0.010" ±0.002"	2.000" ±0.004"	0.156" +0.002" -0.003"	0.004"
H20-06018-66C02	WP-2	0.202" ±0.003"	0.202" ±0.003"	0.084" ±0.002"	0.084" ±0.002"	20 x 20 (400)	0.063" ±0.002"	0.063" ±0.002"	0.018" ±0.002"	2.000" ±0.004"	0.156" +0.002" -0.003"	0.004"
H20-07016-66C02	WP-3	0.250" ±0.003"	0.250" ±0.003"	0.167" ±0.002"	0.167" ±0.002"	10 x 10 (100)	0.070" ±0.002"	0.070" ±0.002"	0.016" ±0.002"	2.000" ±0.004"	0.156" +0.002" -0.003"	0.004"
H20-074099-66C02	WP-4	0.240" ±0.003"	0.256" ±0.003"	0.124" ±0.002"	0.095" ±0.002"	17 x 13 (221)	0.075" ±0.002"	0.100" ±0.002"	0.016" ±0.002"	2.000" ±0.004"	0.156" +0.002" -0.003"	0.004"
H20-034050-66C02	WP-5	0.174" ±0.003"	0.164" ±0.003"	0.088" ±0.002"	0.087" ±0.002"	20 x 20 (400)	0.034" ±0.002"	0.050" ±0.002"	0.009" ±0.002"	2.000" ±0.004"	0.156" +0.002" -0.003"	0.004"
H20-035-66C02	WP-6	0.202" ±0.003"	0.202" ±0.003"	0.084" ±0.002"	0.084" ±0.002"	20 x 20 (400)	0.035" ±0.002"	0.035" ±0.002"	0.015" ±0.002"	2.000" ±0.004"	0.156" +0.002" -0.003"	0.004"
H20-05016-66C02	WP-7	0.209" ±0.003"	0.209" ±0.003"	0.083" ±0.002"	0.083" ±0.002"	20 x 20 (400)	0.050" ±0.002"	0.050" ±0.002"	0.016" ±0.002"	2.000" ±0.004"	0.156" +0.002" -0.003"	0.004"
H20-045081-66C02	WP-8	0.176" ±0.003"	0.196" ±0.003"	0.134" ±0.002"	0.097" ±0.002"	18 x 13 (234)	0.045" ±0.002"	0.080" ±0.002"	0.016" ±0.002"	2.000" ±0.004"	0.156" +0.002" -0.003"	0.004"
H20-065125-66C02	WP-9	0.200" ±0.003"	0.235" ±0.003"	0.170" ±0.002"	0.100" ±0.002"	17 x 10 (170)	0.065" ±0.002"	0.125" ±0.002"	0.025" ±0.003"	2.000" ±0.004"	0.156" +0.002" -0.003"	0.004"
H20E-083122-66C02	WP-10	0.188" ±0.003"	0.213" ±0.003"	0.175" ±0.002"	0.125" ±0.002"	14 x 10 (140)	0.083" ±0.002"	0.122" ±0.002"	0.010" ±0.002"	2.000" ±0.004"	0.156" +0.002" -0.003"	0.004"
H20-032067-66C02	WP-11	0.160" ±0.003"	0.200" ±0.003"	0.100" ±0.002"	0.060" ±0.002"	29 x 17 (493)	0.032" ±0.002"	0.067" ±0.002"	0.012" ±0.002"	2.000" ±0.004"	0.156" +0.002" -0.003"	0.004"
H20-048-66C02	WP-12	0.252" ±0.003"	0.252" ±0.003"	0.167" ±0.002"	0.167" ±0.002"	10 x 10 (100)	0.050" ±0.002"	0.050" ±0.002"	0.010" ±0.002"	2.000" ±0.004"	0.156" +0.002" -0.003"	0.004"
H20-041057-66C02	WP-13	0.160" ±0.003"	0.200" ±0.003"	0.100" ±0.002"	0.080" ±0.002"	22 x 17 (374)	0.041" ±0.002"	0.057" ±0.002"	0.013" ±0.002"	2.000" ±0.004"	0.156" +0.002" -0.003"	0.004"

Note: See the HMC product data sheet for specific Gel-Pak® or Waffle Pack used for that product.

For price, delivery, and to place orders, please contact Hittite Microwave Corporation:
 20 Alpha Road, Chelmsford, MA 01824 Phone: 978-250-3343 Fax: 978-250-3373
 Order On-line at www.hittite.com

GEL-PAK® & WAFFLE PACK BARE DIE (CHIP) PACKAGING INFORMATION

Waffle Pack Dimensions & Part Numbers (Continued)

Manufacturer P/N	Waffle-Pack	M	M1	M2	M3	Array	X Pocket Size	Y Pocket Size	Z Pocket Depth	Size	Height	Flatness
H20-055-16-66C02	WP-14	0.201" ±0.003"	0.201" ±0.003"	0.084" ±0.002"	0.084" ±0.002"	20 x 20 (400)	0.055" ±0.002"	0.055" ±0.002"	0.016" ±0.002"	2.000" ±0.004"	0.156" +0.002" -0.003"	0.004"
H20-045-66C02	WP-15	0.213" ±0.003"	0.213" ±0.003"	0.083" ±0.002"	0.083" ±0.002"	20 x 20 (400)	0.045" ±0.002"	0.045" ±0.002"	0.011" ±0.002"	2.000" ±0.004"	0.156" +0.002" -0.003"	0.004"
H20-051066-66C02	WP-16	0.200" ±0.003"	0.195" ±0.003"	0.115" ±0.002"	0.100" ±0.002"	17 x 15 (255)	0.050" ±0.002"	0.065" ±0.002"	0.024" ±0.003"	2.000" ±0.004"	0.156" +0.002" -0.003"	0.004"
H20-054090-66C02	WP-17	0.199" ±0.003"	0.196" ±0.003"	0.146" ±0.002"	0.100" ±0.002"	17 x 12 (204)	0.054" ±0.005"	0.090" ±0.005"	0.009" ±0.002"	1.995" ±0.010"	0.155" +0.003" -0.005"	0.012"
H20-074104-66C02	WP-18	0.240" ±0.003"	0.256" ±0.003"	0.124" ±0.002"	0.095" ±0.002"	17 x 13 (221)	0.075" ±0.002"	0.105" ±0.002"	0.020" ±0.002"	2.000" ±0.004"	0.156" +0.002" -0.003"	0.004"
H20-099144-66C02	WP-19	0.181" ±0.003"	0.208" ±0.003"	0.176" ±0.002"	0.126" ±0.002"	14 x 10 (140)	0.100" ±0.002"	0.145" ±0.002"	0.032" ±0.003"	2.000" ±0.004"	0.156" +0.002" -0.003"	0.004"
H20-034046-66C02	WP-20	0.170" ±0.003"	0.166" ±0.003"	0.088" ±0.002"	0.087" ±0.002"	20 x 20 (400)	0.034" ±0.002"	0.046" ±0.002"	0.009" ±0.002"	2.000" ±0.004"	0.156" +0.002" -0.003"	0.004"
H20-073091-66C02	WP-21	0.208" ±0.003"	0.226" ±0.003"	0.172" ±0.002"	0.144" ±0.002"	12 x 10 (120)	0.072" ±0.002"	0.090" ±0.002"	0.018" ±0.002"	2.000" ±0.004"	0.156" +0.002" -0.003"	0.004"
H20-120185-66C02	WP-22	0.192" ±0.003"	0.226" ±0.003"	0.221" ±0.002"	0.147" ±0.002"	12 x 8 (96)	0.120" ±0.002"	0.185" ±0.002"	0.020" ±0.002"	2.000" ±0.004"	0.156" +0.002" -0.003"	0.004"
H20-109168-66C02	WP-23	0.230" ±0.003"	0.251" ±0.003"	0.214" ±0.002"	0.154" ±0.002"	11 x 8 (88)	0.109" ±0.002"	0.168" ±0.002"	0.024" ±0.003"	2.000" ±0.004"	0.156" +0.002" -0.003"	0.004"
H20-100220-66C02	WP-24	0.325" ±0.003"	0.325" ±0.003"	0.270" ±0.002"	0.150" ±0.002"	10 x 6 (60)	0.100" ±0.002"	0.220" ±0.002"	0.035" ±0.003"	2.000" ±0.004"	0.156" +0.002" -0.003"	0.004"
H20-037051-66C02	WP-25	0.209" ±0.003"	0.209" ±0.003"	0.083" ±0.002"	0.083" ±0.002"	20 x 20 (400)	0.037" ±0.002"	0.051" ±0.002"	0.018" ±0.002"	2.000" ±0.004"	0.156" +0.002" -0.003"	0.004"
H20-055035-66C02	WP-26	0.190" ±0.003"	0.195" ±0.003"	0.070" ±0.002"	0.090" ±0.002"	19 x 24 (456)	0.055" ±0.002"	0.035" ±0.002"	0.020" ±0.003"	2.000" ±0.004"	0.156" +0.002" -0.003"	0.004"
H20-059157-66C02	WP-27	0.182" ±0.003"	0.240" ±0.003"	0.217" ±0.002"	0.109" ±0.002"	16 x 8 (128)	0.059" ±0.002"	0.157" ±0.002"	0.016" ±0.002"	2.000" ±0.004"	0.156" ±0.003"	0.004"

