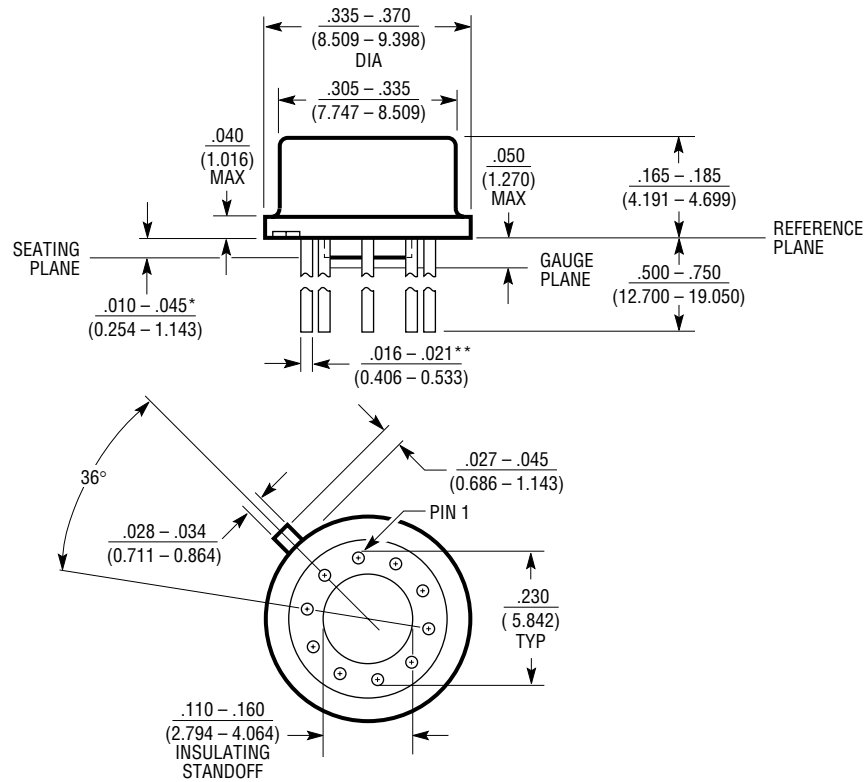


H Package
10-Lead TO-5 Metal Can
 (Reference LTC DWG # 05-08-1322)



*LEAD DIAMETER IS UNCONTROLLED BETWEEN THE REFERENCE PLANE AND THE SEATING PLANE

**FOR SOLDER DIP LEAD FINISH, LEAD DIAMETER IS $\frac{.016 - .024}{(0.406 - 0.610)}$ H10(TO-5) 0204