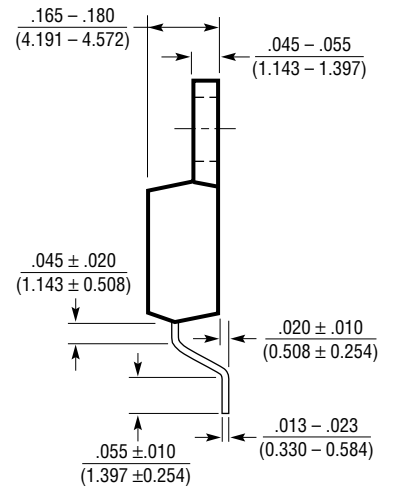
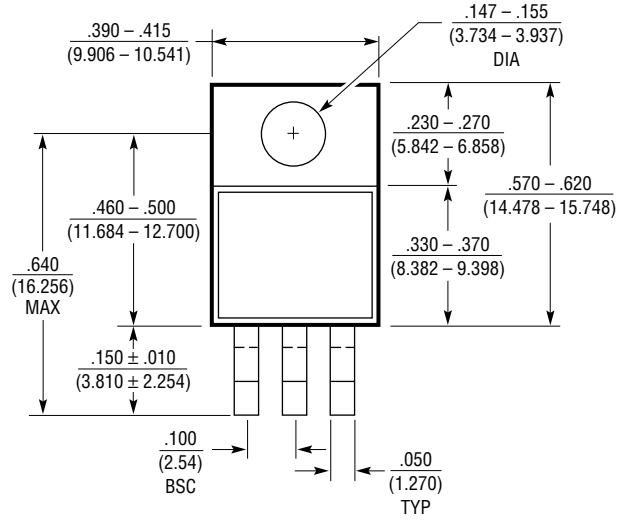
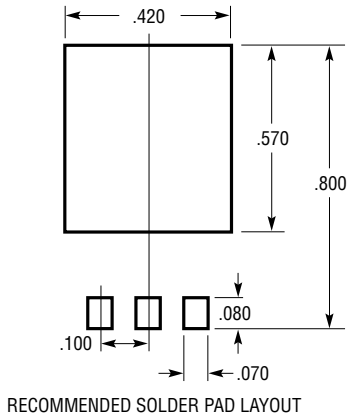


**TO-220 3-Lead Package Outline (Flow 32)**  
 (Reference LTC DWG # 05-08-1492)



NOTE: CONTROLLING DIMENSIONS ARE IN INCHES