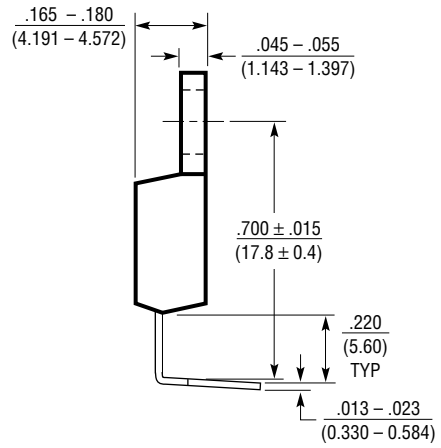
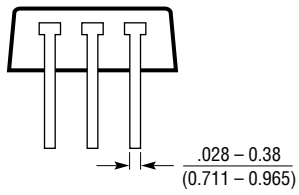
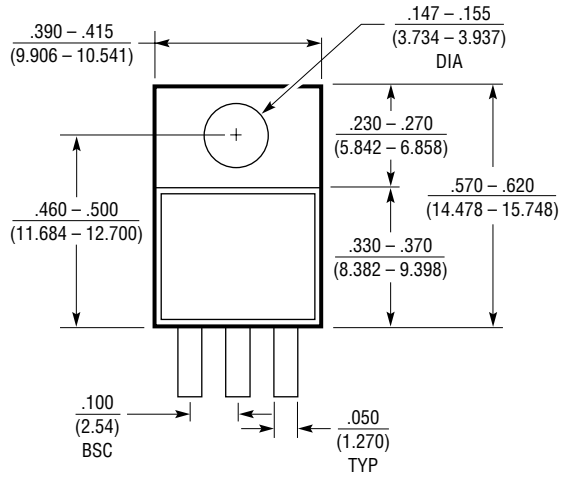


TO-220 3-Lead Package Outline (Flow 43)
 (Reference LTC DWG # 05-08-1483)



T3(TO-220)(FLOW 43) 0801

NOTE: CONTROLLING DIMENSIONS ARE IN INCHES