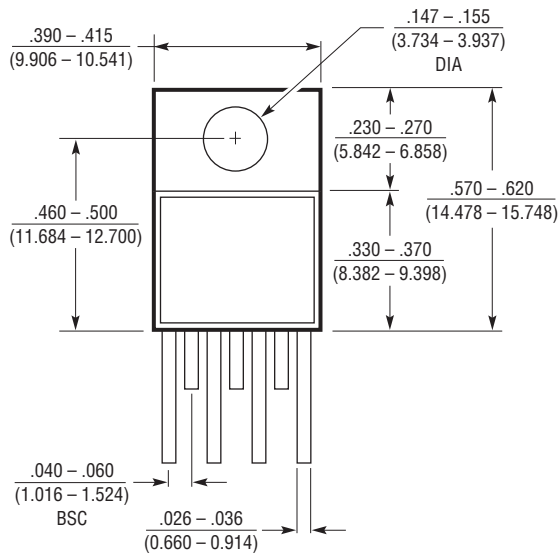
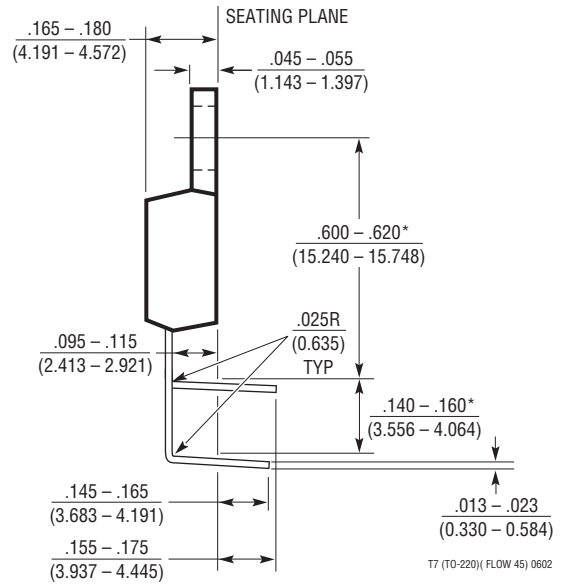


**TO-220 7-Lead Package Outline (Flow 45)**  
 (Reference LTC DWG # 05-08-1485)



\*MEASURED AT SEATING PLANE



T7 (TO-220) (FLOW 45) 0602