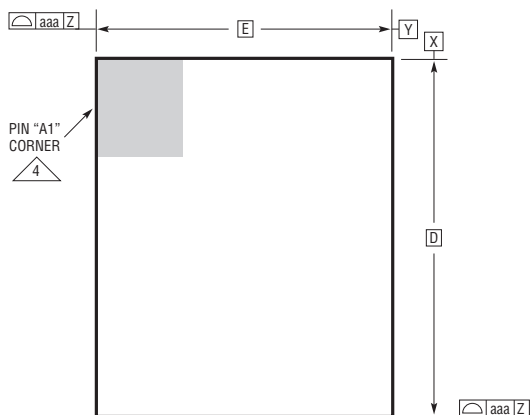
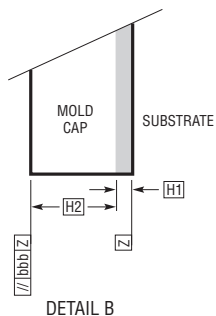


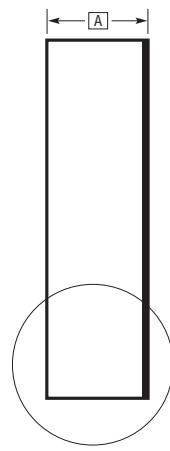
**LGA Package**  
**56-Lead (11.25mm × 9.00mm × 4.32mm)**  
 (Reference LTC DWG# 05-08-1911 Rev A)



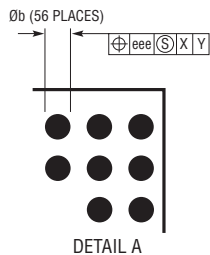
PACKAGE TOP VIEW



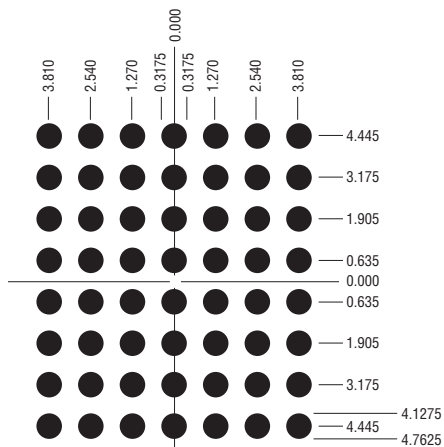
DETAIL B



DETAIL B  
PACKAGE SIDE VIEW

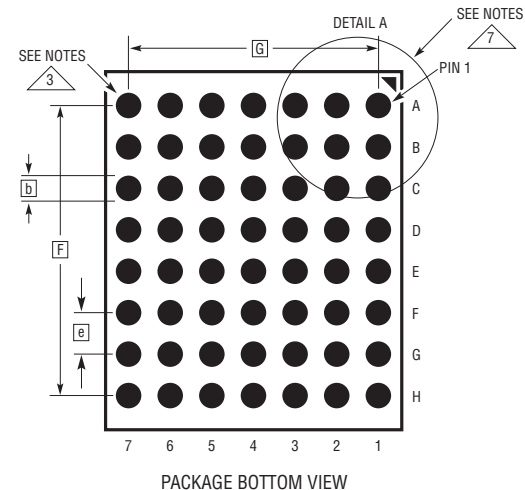


DETAIL A



SUGGESTED PCB LAYOUT  
TOP VIEW

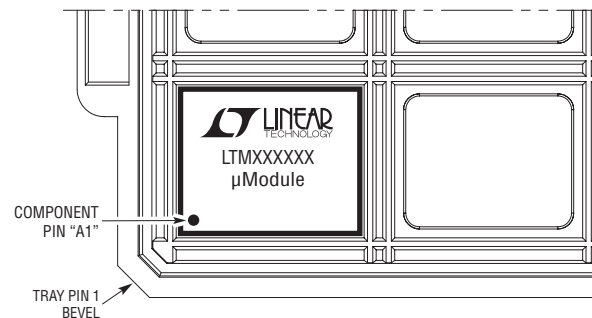
DIMENSIONS				
SYMBOL	MIN	NOM	MAX	NOTES
A	4.22	4.32	4.42	
b	0.60	0.63	0.66	
D		11.25		
E		9.00		
e		1.27		
F		8.89		
G		7.62		
H1	0.27	0.32	0.37	
H2	3.95	4.00	4.05	
aaa			0.15	
bbb			0.10	
eee			0.05	
TOTAL NUMBER OF LGA PADS: 56				



PACKAGE BOTTOM VIEW

NOTES:

- DIMENSIONING AND TOLERANCING PER ASME Y14.5M-1994
- ALL DIMENSIONS ARE IN MILLIMETERS
- LAND DESIGNATION PER JESD MS-028 AND JEP95
- DETAILS OF PIN #1 IDENTIFIER ARE OPTIONAL, BUT MUST BE LOCATED WITHIN THE ZONE INDICATED. THE PIN #1 IDENTIFIER MAY BE EITHER A MOLD OR MARKED FEATURE
- PRIMARY DATUM -Z- IS SEATING PLANE
- THE TOTAL NUMBER OF PADS: 56
- PACKAGE ROW AND COLUMN LABELING MAY VARY AMONG μModule PRODUCTS. REVIEW EACH PACKAGE LAYOUT CAREFULLY



PACKAGE IN TRAY LOADING ORIENTATION