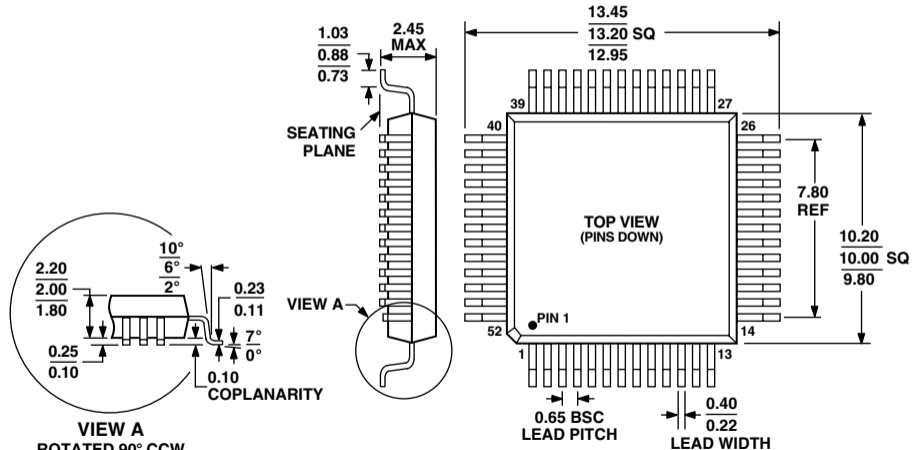


**52-Lead Metric Quad Flat Package [MQFP]
(S-52-1)
Dimensions shown in millimeters**



COMPLIANT TO JEDEC STANDARDS MS-022-AC.